



SMT

KEY LOCATIONS



NOTES:

1. MATERIAL:
CONNECTOR:
HOUSING - HIGH TEMPERATURE THERMOPLASTIC GLASS FILLED, UL 94V-0, BLACK
TERMINALS - COPPER ALLOY
SHELL
NICKEL SILVER, C770, THICKNESS: 0.250/0.254
2. FINISH:
CONNECTOR
OPTION 1
CONTACT AREA - 0.38µm MIN GOLD OVER 2.54 µm NICKEL
SOLDER FOOT AREA - 2.54-5.09µm TIN OVER 1.27 µm NICKEL
OPTION 2
CONTACT AREA - 0.76µm MIN GOLD OVER 2.54 µm NICKEL
SOLDER FOOT AREA - 2.54-5.09µm TIN OVER 1.27 µm NICKEL
3. TERMINAL SOLDER FEET TO BE COPLANAR WITHIN 0.10 MEASURED FROM DATUM E
4. DATE CODE: 4 DIGIT (3 DIGIT DAY, 1 DIGIT YEAR) ON CONNECTOR ONLY
5. CIRCUIT IDENTIFIER: SEE APPROPRIATE INDUSTRY SPECIFICATION FOR LOCATION OF PIN 1
6. TO BE USED WITH THE FOLLOWING CABLE SERIES:
79575/74563/79576/74573/79536/74562/74569/74586
7. PACKAGED PER PACKAGING SPECIFICATION: PK-75783-001
8. CONFORMS TO PRODUCT SPECIFICATION: PS-75783-001
9. PROCESS PER APPLICATION SPECIFICATION: AS-75783-001
10. THIS PART CONFORMS TO CLASS C REQUIREMENTS OF COSMETIC SPEC PS-45499-002



36 CIRCUIT RETENTION FIT SHELL OPTION SHOWN



iPass™ IS A TRADEMARK OF MOLEX

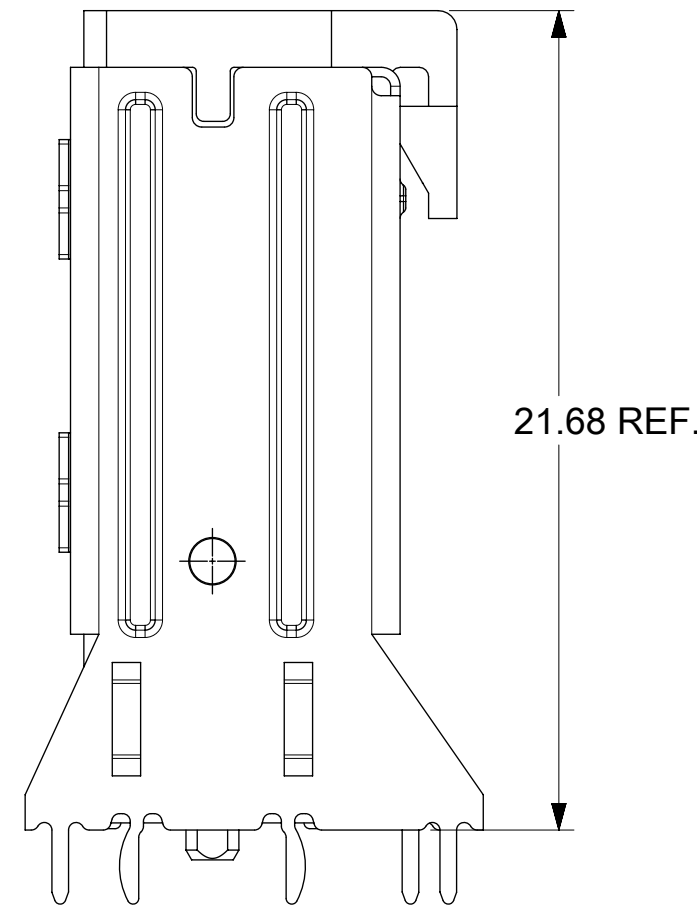
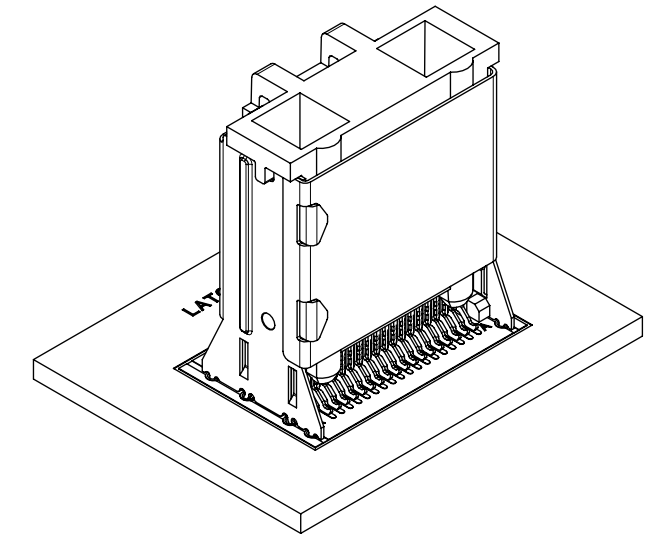
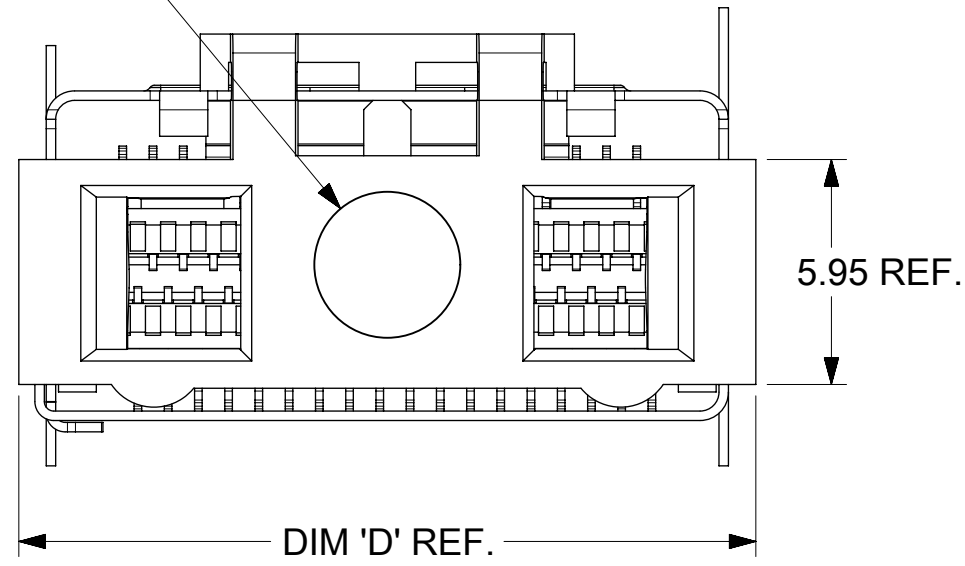
| CIRCUIT SIZE | DIM 'A' | DIM 'B' | DIM 'C' |
|--------------|---------|---------|---------|
| 26 | 12.00 | 13.80 | 11.80 |
| 36 | 16.00 | 17.80 | 15.80 |
| 50 | 21.60 | 23.40 | 21.40 |
| 68 | 28.80 | 30.60 | 28.60 |

| | | | | | | | | | | | | | |
|---|--|---------------------|--|---|--|--------------------------|--|------------------------|--|--|----------------------------|------------------------|-------------------------|
| THIS DRAWING CONTAINS INFORMATION THAT IS PROPRIETARY TO MOLEX ELECTRONIC TECHNOLOGIES, LLC AND SHOULD NOT BE USED WITHOUT WRITTEN PERMISSION | | | | | | | | | | | | | |
| DIMENSION UNITS mm | | SCALE 5:1 | | CURRENT REV DESC: OBSOLETE PART NUMBER AS PER PCN#510579 | | | | | | molex | | | |
| GENERAL TOLERANCES (UNLESS SPECIFIED) | | | | EC NO: 675088 | | | | | | | | | |
| ANGULAR TOL ± 0.5° | | | | 4 PLACES ± | | DRWN: SUGEEB | | 2021/08/03 | | PRODUCT CUSTOMER DRAWING | | | |
| | | | | 3 PLACES ± | | CHK'D: GGA | | 2021/09/08 | | | | | |
| | | | | 2 PLACES ± 0.13 | | APPR: GGA | | 2021/09/08 | | DOCUMENT NUMBER SD-75784-001 | | | |
| | | | | 1 PLACE ± 0.25 | | INITIAL REVISION: | | 2005/04/15 | | | | DOC TYPE PSD | DOC PART 001 |
| | | | | 0 PLACES ± | | APPR: RNELSON | | 2005/04/18 | | MATERIAL NUMBER SEE TABLE | CUSTOMER GENERAL MARKET | | SHEET NUMBER 1 OF 13 |
| DRAFT WHERE APPLICABLE MUST REMAIN WITHIN DIMENSIONS | | | | THIRD ANGLE PROJECTION | | DRAWING C-SIZE | | SERIES 75784 | | | | | |

| | | | | |
|-----------------|----|--------------|------------|----------|
| DOCUMENT STATUS | P1 | RELEASE DATE | 2021/09/08 | 12:08:25 |
|-----------------|----|--------------|------------|----------|

ASSEMBLY WITH PRE-POSITIONING DEVICE

PICK & PLACE NOZZLE AREA



36 CIRCUIT RETENTION FIT SHOWN

NOTES:

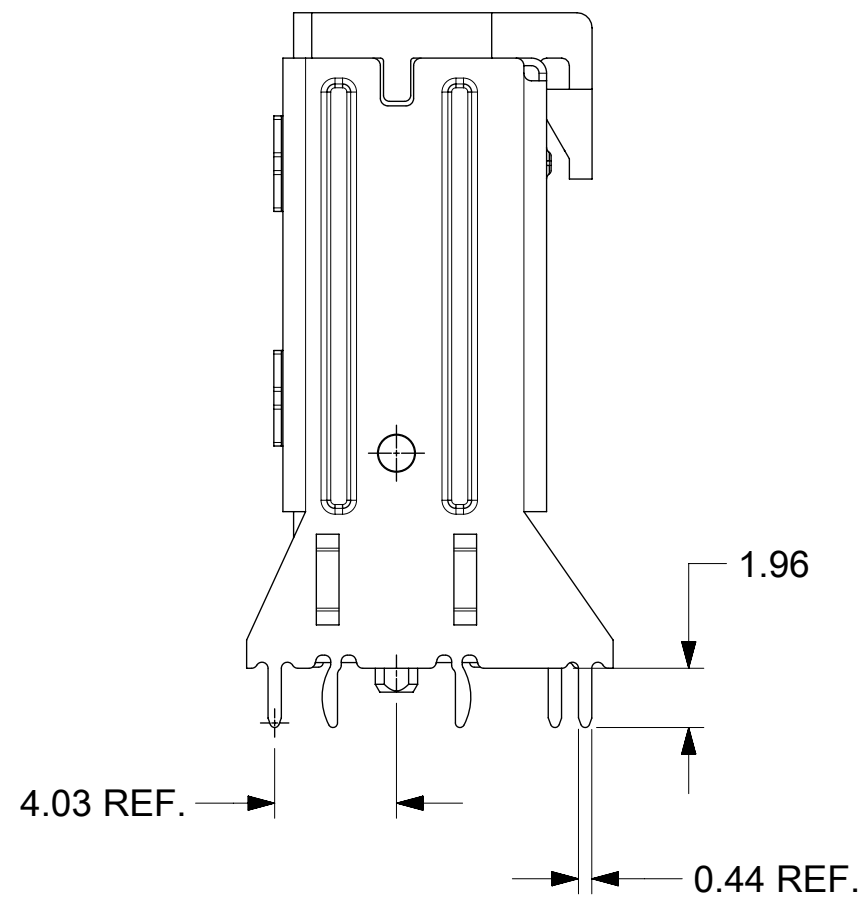
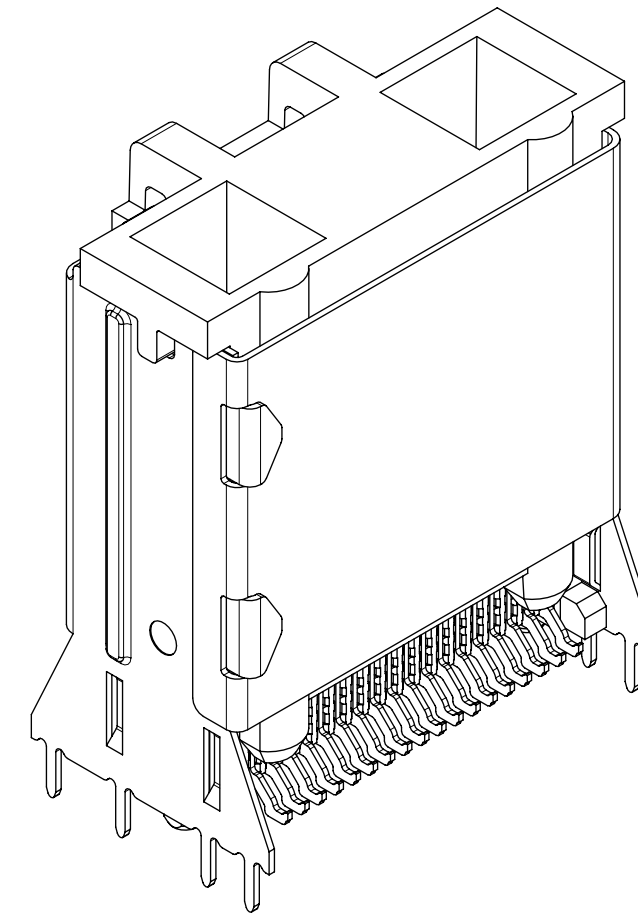
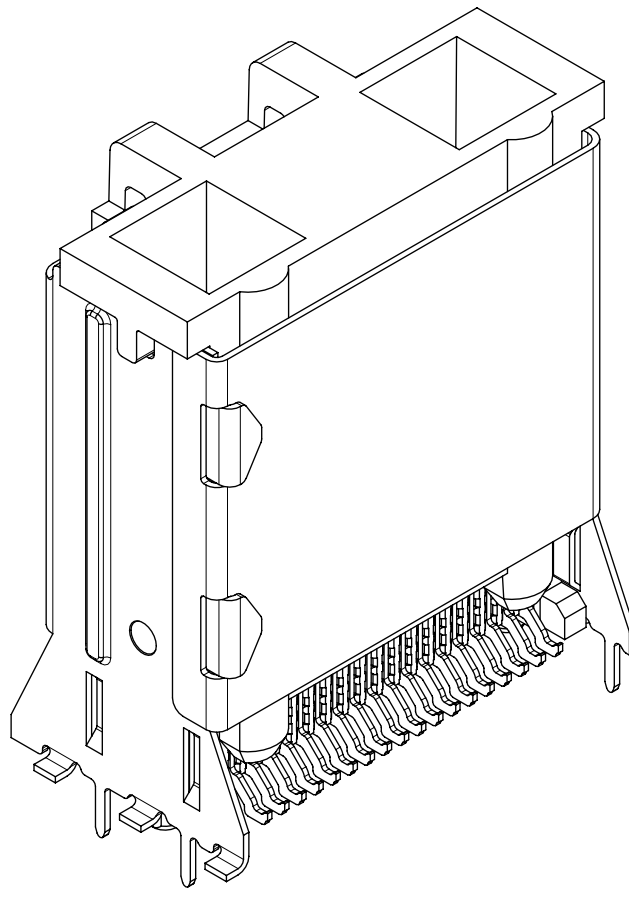
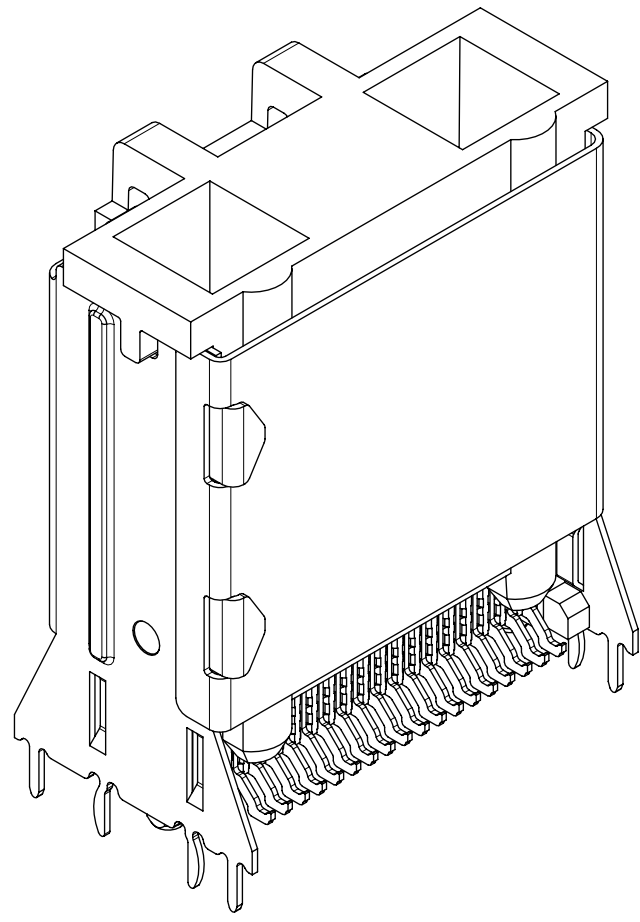
1. PICK AND PLACE LOCATION DEFINED ON APPLICATION SPECIFICATION AS-75783-001
2. PACKAGING CONSISTS OF CONNECTOR AND SHELL WITH A PRE-POSITIONING PICK AND PLACE DEVICE THAT ARE PACKAGED IN "TAPE AND REEL" FOR ROBOTIC PICK AND PLACE.

iPass™ IS A TRADEMARK OF MOLEX

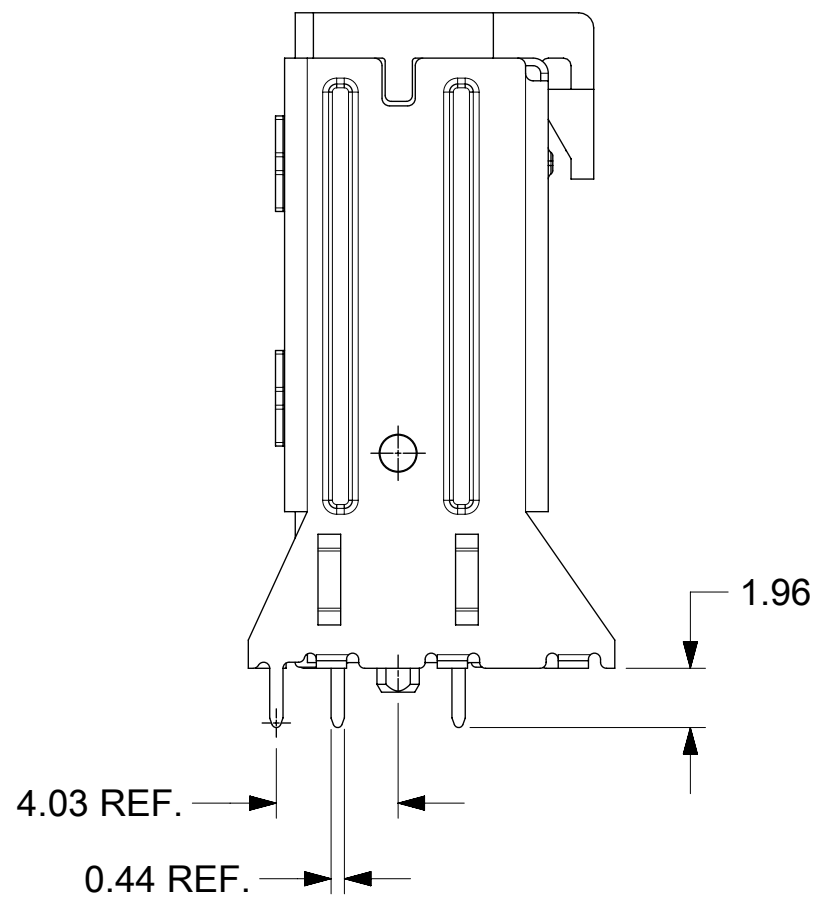
| CIRCUIT SIZE | DIM 'D' |
|--------------|---------|
| 26 | 15.50 |
| 36 | 19.50 |
| 50 | 25.10 |
| 68 | 32.30 |

| | | | | | | | | | | | | |
|---|--|---------------------|--|---|--|--------------------------|--|------------------------------|--|--|--|-------------------------|
| THIS DRAWING CONTAINS INFORMATION THAT IS PROPRIETARY TO MOLEX ELECTRONIC TECHNOLOGIES, LLC AND SHOULD NOT BE USED WITHOUT WRITTEN PERMISSION | | | | | | | | | | | | |
| DIMENSION UNITS mm | | SCALE 5:1 | | CURRENT REV DESC: OBSOLETE PART NUMBER AS PER PCN#510579 | | | | | | molex | | |
| GENERAL TOLERANCES (UNLESS SPECIFIED) | | | | EC NO: 675088 | | | | | | | | |
| ANGULAR TOL ± 0.5° | | | | 4 PLACES ± | | DRWN: SUGEEB | | 2021/08/03 | | PRODUCT CUSTOMER DRAWING | | |
| | | | | 3 PLACES ± | | CHK'D: GGA | | 2021/09/08 | | | | |
| | | | | 2 PLACES ± 0.13 | | APPR: GGA | | 2021/09/08 | | DOCUMENT NUMBER SD-75784-001 | | |
| | | | | 1 PLACE ± 0.25 | | INITIAL REVISION: | | 2005/04/15 | | | | DOC TYPE PSD |
| 0 PLACES ± | | | | APPR: RNELSON | | 2005/04/18 | | MATERIAL NUMBER SEE TABLE | | CUSTOMER GENERAL MARKET | | SHEET NUMBER 2 OF 13 |
| DRAFT WHERE APPLICABLE MUST REMAIN WITHIN DIMENSIONS | | | | THIRD ANGLE PROJECTION | | DRAWING C-SIZE | | SERIES 75784 | | | | |

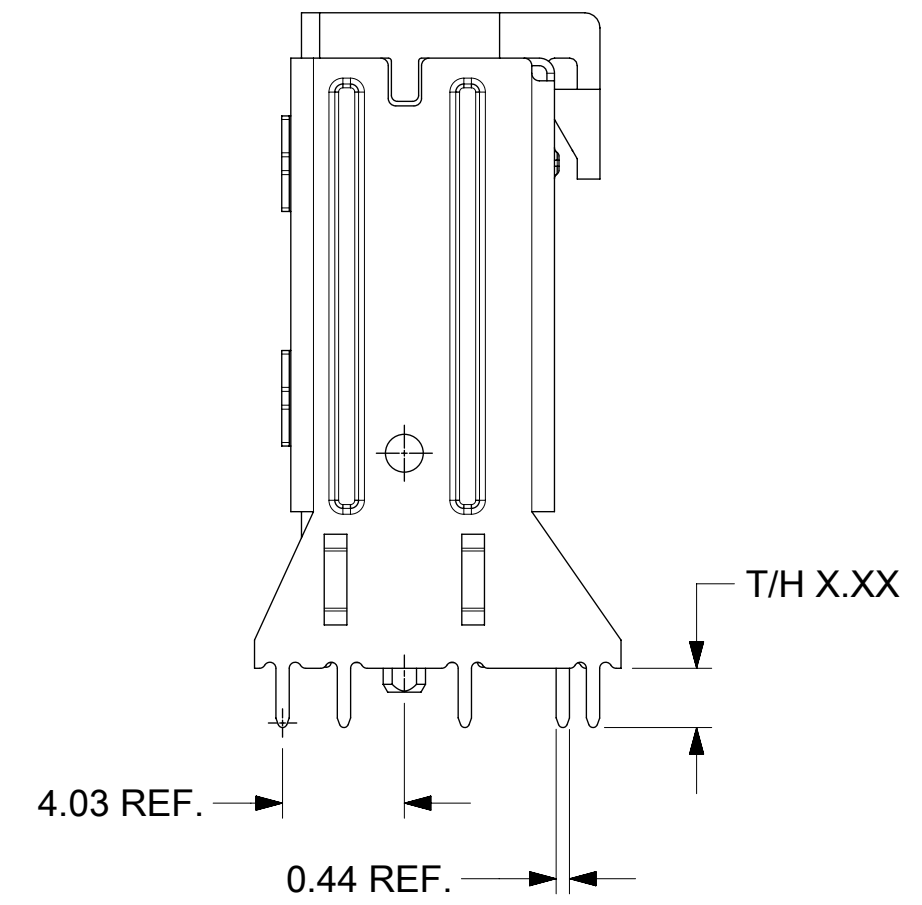
SHELL PCB INTERFACE



**RETENTION-FIT
SHELL OPTION**



SMT SHELL OPTION



**THRU-HOLE SHELL OPTION
SEE TABLE FOR LENGTH
(X.XX DENOTES LENGTH)**

**RECOMMENDED PCB THICKNESS
FOR SPECIFIED TAIL LENGTH**

| TAIL LENGTH | PCB THICKNESS |
|-------------|---------------|
| 1.96 | 1.57 (.062) |
| 2.79 | 2.36 (.093) |
| 3.18 | 2.79 (.110) |
| 3.56 | 3.18 (.125) |

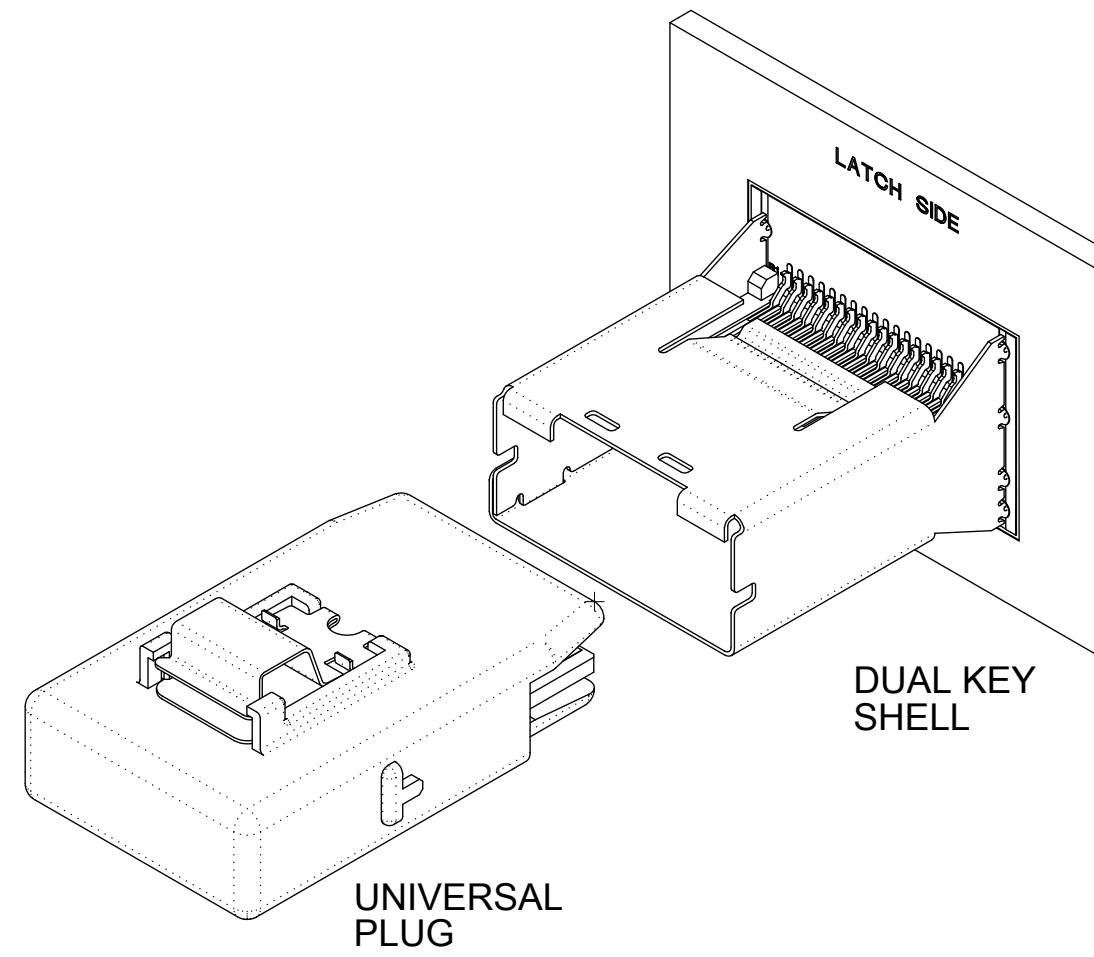
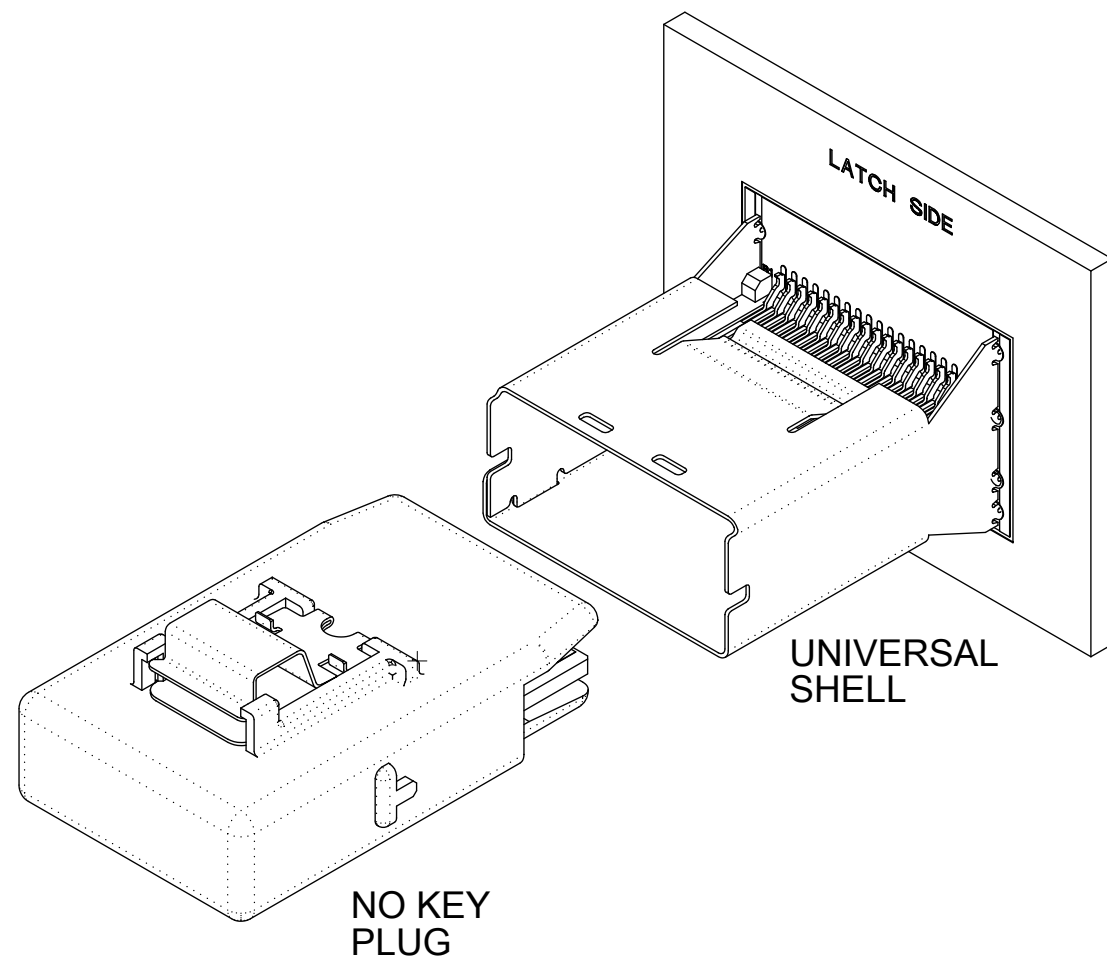
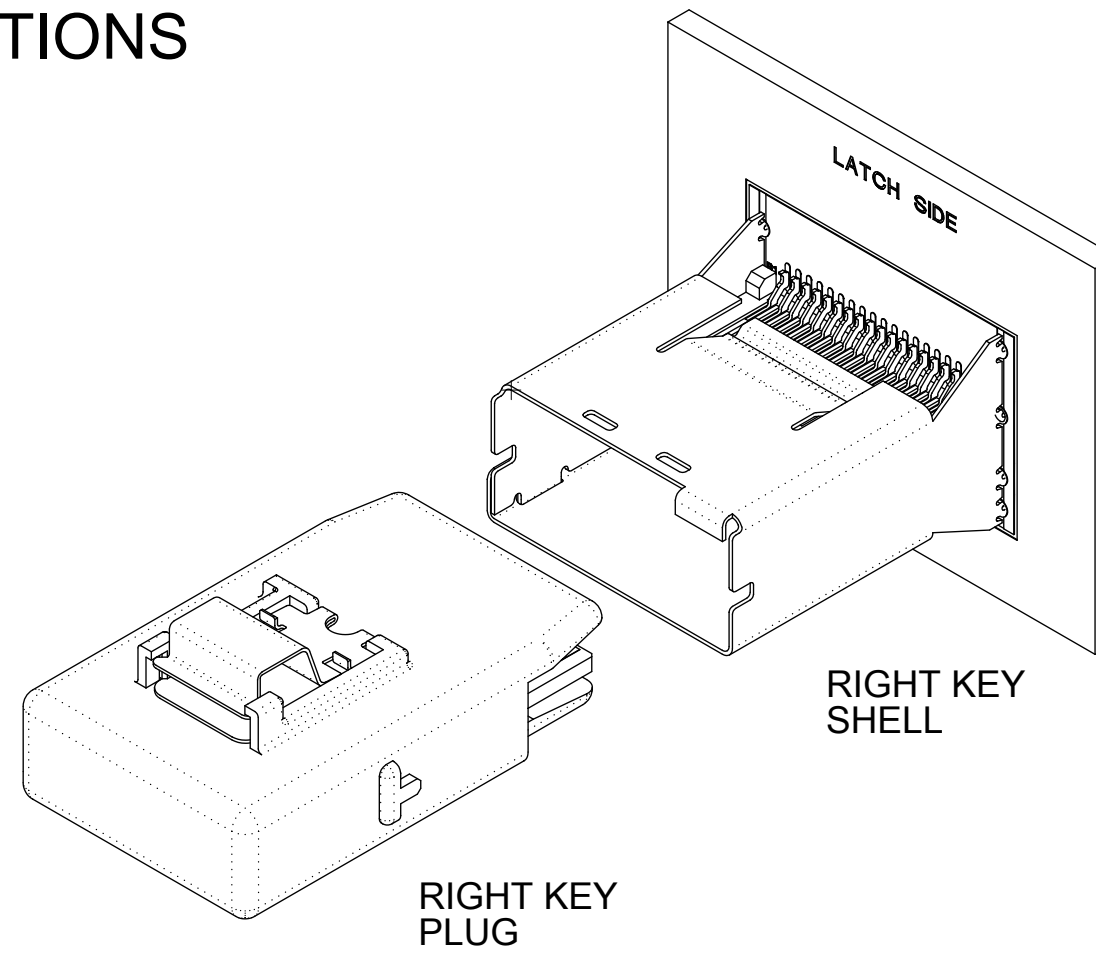
NOTE:
RETENTION FIT DENOTES TAILS THAT OFFER RETENTION TO PCB DURING REFLOW PROCESS
SMT DENOTES SURFACE MOUNT TERMINATION
T/H X.XX DENOTES THRU-HOLE TAIL OF LENGTH X.XX

iPass™ IS A TRADEMARK OF MOLEX

| | | | | | |
|---|--------|--|--|--|----------------|
| THIS DRAWING CONTAINS INFORMATION THAT IS PROPRIETARY TO MOLEX ELECTRONIC TECHNOLOGIES, LLC AND SHOULD NOT BE USED WITHOUT WRITTEN PERMISSION | | CURRENT REV DESC: OBSOLETE PART NUMBER AS PER PCN#510579 | | | |
| DIMENSION UNITS | SCALE | EC NO: 675088 | | | |
| mm | 4:1 | DRWN: SUGEEB 2021/08/03 | | I-PASS VERT CONNECTOR INTERNAL ASSY W/SHELL 0.8MM PITCH I/O | |
| GENERAL TOLERANCES (UNLESS SPECIFIED) | | CHK'D: GGA 2021/09/08 | | | |
| ANGULAR TOL | ± 0.5° | APPR: GGA 2021/09/08 | | PRODUCT CUSTOMER DRAWING | |
| 4 PLACES | ± | INITIAL REVISION: | | DOCUMENT NUMBER | |
| 3 PLACES | ± | DRWN: KLANG 2005/04/15 | | SD-75784-001 | |
| 2 PLACES | ± 0.13 | APPR: RNELSON 2005/04/18 | | DOC TYPE | DOC PART |
| 1 PLACE | ± 0.25 | THIRD ANGLE PROJECTION | | PSD | 001 |
| 0 PLACES | ± | DRAWING | | D6 | |
| DRAFT WHERE APPLICABLE MUST REMAIN WITHIN DIMENSIONS | | SERIES | | MATERIAL NUMBER | CUSTOMER |
| | | C-SIZE | | 75784 | GENERAL MARKET |
| | | SHEET NUMBER | | 3 OF 13 | |


| | | | | |
|-----------------|----|--------------|------------|----------|
| DOCUMENT STATUS | P1 | RELEASE DATE | 2021/09/08 | 12:08:25 |
|-----------------|----|--------------|------------|----------|

KEYING OPTIONS



| | UNIVERSAL SHELL | LEFT KEY SHELL | RIGHT KEY SHELL | DUAL KEY SHELL |
|----------------|-----------------|----------------|-----------------|----------------|
| NO KEY PLUG | YES | NO | NO | NO |
| LEFT KEY PLUG | YES | YES | NO | NO |
| RIGHT KEY PLUG | YES | NO | YES | NO |
| UNIVERSAL PLUG | YES | YES | YES | YES |

iPass™ IS A TRADEMARK OF MOLEX

| | | | | | | | | | | | |
|---|--|----------------------------|--|---|--|------------------------|--|---|--|--|--|
| THIS DRAWING CONTAINS INFORMATION THAT IS PROPRIETARY TO MOLEX ELECTRONIC TECHNOLOGIES, LLC AND SHOULD NOT BE USED WITHOUT WRITTEN PERMISSION | | | | | | | | | | | |
| DIMENSION UNITS mm | | SCALE 2:1 | | CURRENT REV DESC: OBSOLETE PART NUMBER AS PER PCN#510579 | | | |  | | I-PASS VERT CONNECTOR INTERNAL ASSY W/SHELL 0.8MM PITCH I/O | |
| GENERAL TOLERANCES (UNLESS SPECIFIED) | | ANGULAR TOL ± 0.5° | | EC NO: 675088 DRWN: SUGEEB 2021/08/03 CHK'D: GGA 2021/09/08 APPR: GGA 2021/09/08 | | | | | | | |
| 4 PLACES ± | | 3 PLACES ± | | 2 PLACES ± 0.13 | | 1 PLACE ± 0.25 | | 0 PLACES ± | | PRODUCT CUSTOMER DRAWING | |
| DRAFT WHERE APPLICABLE MUST REMAIN WITHIN DIMENSIONS | | THIRD ANGLE PROJECTION | | DRAWING C-SIZE | | SERIES 75784 | | DOCUMENT NUMBER SD-75784-001 | | DOC TYPE DOC PART REVISION PSD 001 D6 | |
| MATERIAL NUMBER SEE TABLE | | CUSTOMER GENERAL MARKET | | SHEET NUMBER 4 OF 13 | | | | | | | |

26 CIRCUIT ITEM NUMBERS

| CIRCUIT SIZE | ITEM NUMBER | PLATING OPTION | SHELL PCB OPTION | SHELL KEY OPTION |
|--------------|-------------|----------------|------------------|------------------|
| 26 | 75784-0007 | OPTION 1 | RETENTION | LEFT |
| 26 | 75784-0012 | OPTION 1 | SMT | DUAL |
| 26 | 75784-0025 | OPTION 1 | RETENTION | UNIVERSAL |
| 26 | 75784-0026 | OPTION 1 | SMT | UNIVERSAL |
| 26 | 75784-0028 | OPTION 2 | SMT | UNIVERSAL |
| 26 | 75784-0032 | OPTION 1 | T/H 1.96 | UNIVERSAL |

| CIRCUIT SIZE | ITEM NUMBER | PLATING OPTION | SHELL PCB OPTION | SHELL KEY OPTION |
|--------------|-------------|----------------|------------------|------------------|
| 26 | 75784-0037 | OPTION 1 | T/H 2.79 | LEFT |
| 26 | 75784-0038 | OPTION 1 | T/H 2.79 | RIGHT |
| 26 | 75784-0039 | OPTION 1 | T/H 2.79 | DUAL |
| 26 | 75784-0040 | OPTION 1 | T/H 2.79 | UNIVERSAL |
| 26 | 75784-0041 | OPTION 2 | T/H 2.79 | LEFT |
| 26 | 75784-0042 | OPTION 2 | T/H 2.79 | RIGHT |
| 26 | 75784-0043 | OPTION 2 | T/H 2.79 | DUAL |
| 26 | 75784-0045 | OPTION 1 | T/H 3.18 | LEFT |
| 26 | 75784-0046 | OPTION 1 | T/H 3.18 | RIGHT |
| 26 | 75784-0047 | OPTION 1 | T/H 3.18 | DUAL |
| 26 | 75784-0048 | OPTION 1 | T/H 3.18 | UNIVERSAL |
| 26 | 75784-0049 | OPTION 2 | T/H 3.18 | LEFT |
| 26 | 75784-0050 | OPTION 2 | T/H 3.18 | RIGHT |
| 26 | 75784-0051 | OPTION 2 | T/H 3.18 | DUAL |
| 26 | 75784-0052 | OPTION 2 | T/H 3.18 | UNIVERSAL |

iPass™ IS A TRADEMARK OF MOLEX

| | | | | | | | | | |
|---|--------|--|---------|--------|--|----------|----------|----------|--------------|
| THIS DRAWING CONTAINS INFORMATION THAT IS PROPRIETARY TO MOLEX ELECTRONIC TECHNOLOGIES, LLC AND SHOULD NOT BE USED WITHOUT WRITTEN PERMISSION | | | | | | | | | |
| DIMENSION UNITS | SCALE | CURRENT REV DESC: OBSOLETE PART NUMBER AS PER PCN#510579 | | | molex | | | | |
| mm | 1:1 | | | | I-PASS VERT CONNECTOR INTERNAL ASSY W/SHELL 0.8MM PITCH I/O | | | | |
| GENERAL TOLERANCES (UNLESS SPECIFIED) | | | | | PRODUCT CUSTOMER DRAWING | | | | |
| ANGULAR TOL | ± 0.5° | EC NO: 675088 | | | | | | | |
| 4 PLACES | ± | DRWN: SUGEEB | | | 2021/08/03 | | | | |
| 3 PLACES | ± | CHK'D: GGA | | | 2021/09/08 | | | | |
| 2 PLACES | ± 0.13 | APPR: GGA | | | 2021/09/08 | | | | |
| 1 PLACE | ± 0.25 | INITIAL REVISION: | | | | | | | |
| 0 PLACES | ± | DRWN: KLANG | | | 2005/04/15 | | | | |
| | | APPR: RNELSON | | | 2005/04/18 | | | | |
| DRAFT WHERE APPLICABLE MUST REMAIN WITHIN DIMENSIONS | | THIRD ANGLE PROJECTION | DRAWING | SERIES | DOCUMENT NUMBER | DOC TYPE | DOC PART | REVISION | SHEET NUMBER |
| | | | C-SIZE | 75784 | SD-75784-001 | PSD | 001 | D6 | 5 OF 13 |

36 CIRCUIT ITEM NUMBERS

| CIRCUIT SIZE | ITEM NUMBER | PLATING OPTION | SHELL PCB OPTION | SHELL KEY OPTION |
|--------------|-------------|----------------|------------------|------------------|
| 36 | 75784-0109 | OPTION 1 | RETENTION | DUAL |
| 36 | 75784-0110 | OPTION 1 | SMT | LEFT |
| 36 | 75784-0111 | OPTION 1 | SMT | RIGHT |
| 36 | 75784-0112 | OPTION 1 | SMT | DUAL |
| 36 | 75784-0119 | OPTION 2 | RETENTION | LEFT |
| 36 | 75784-0120 | OPTION 2 | RETENTION | RIGHT |
| 36 | 75784-0121 | OPTION 2 | RETENTION | DUAL |
| 36 | 75784-0125 | OPTION 1 | RETENTION | UNIVERSAL |
| 36 | 75784-0126 | OPTION 1 | SMT | UNIVERSAL |
| 36 | 75784-0127 | OPTION 2 | RETENTION | UNIVERSAL |
| 36 | 75784-0131 | OPTION 1 | T/H 1.96 | DUAL |
| 36 | 75784-0132 | OPTION 1 | T/H 1.96 | UNIVERSAL |
| 36 | 75784-0136 | OPTION 2 | T/H 1.96 | UNIVERSAL |

| CIRCUIT SIZE | ITEM NUMBER | PLATING OPTION | SHELL PCB OPTION | SHELL KEY OPTION |
|--------------|-------------|----------------|------------------|------------------|
| 36 | 75784-0137 | OPTION 1 | T/H 2.79 | LEFT |
| 36 | 75784-0138 | OPTION 1 | T/H 2.79 | RIGHT |
| 36 | 75784-0139 | OPTION 1 | T/H 2.79 | DUAL |
| 36 | 75784-0140 | OPTION 1 | T/H 2.79 | UNIVERSAL |
| 36 | 75784-0141 | OPTION 2 | T/H 2.79 | LEFT |
| 36 | 75784-0142 | OPTION 2 | T/H 2.79 | RIGHT |
| 36 | 75784-0143 | OPTION 2 | T/H 2.79 | DUAL |
| 36 | 75784-0144 | OPTION 2 | T/H 2.79 | UNIVERSAL |
| 36 | 75784-0147 | OPTION 1 | T/H 3.18 | DUAL |
| 36 | 75784-0148 | OPTION 1 | T/H 3.18 | UNIVERSAL |
| 36 | 75784-0150 | OPTION 2 | T/H 3.18 | RIGHT |
| 36 | 75784-0151 | OPTION 2 | T/H 3.18 | DUAL |
| 36 | 75784-0152 | OPTION 2 | T/H 3.18 | UNIVERSAL |
| 36 | 75784-0156 | OPTION 1 | T/H 3.56 | UNIVERSAL |
| 36 | 75784-0159 | OPTION 2 | T/H 3.56 | DUAL |
| 36 | 75784-0160 | OPTION 2 | T/H 3.56 | UNIVERSAL |

iPass™ IS A TRADEMARK OF MOLEX

| | | | | | | | | | | |
|---|-------|--|---------|----------------|-----------------|--|----------|----------|--|--|
| THIS DRAWING CONTAINS INFORMATION THAT IS PROPRIETARY TO MOLEX ELECTRONIC TECHNOLOGIES, LLC AND SHOULD NOT BE USED WITHOUT WRITTEN PERMISSION | | | | | | | | | | |
| DIMENSION UNITS | SCALE | CURRENT REV DESC: OBSOLETE PART NUMBER AS PER PCN#510579 | | | | molex | | | | |
| mm | 1:1 | | | | | I-PASS VERT CONNECTOR INTERNAL ASSY W/SHELL 0.8MM PITCH I/O | | | | |
| GENERAL TOLERANCES (UNLESS SPECIFIED) | | | | | | PRODUCT CUSTOMER DRAWING | | | | |
| ANGULAR TOL ± 0.5° | | EC NO: 675088 | | | | | | | | |
| 4 PLACES ± | | DRWN: SUGEEB | | | | 2021/08/03 | | | | |
| 3 PLACES ± | | CHK'D: GGA | | | | 2021/09/08 | | | | |
| 2 PLACES ± 0.13 | | APPR: GGA | | | | 2021/09/08 | | | | |
| 1 PLACE ± 0.25 | | INITIAL REVISION: | | | | | | | | |
| 0 PLACES ± | | DRWN: KLANG | | | | 2005/04/15 | | | | |
| | | APPR: RNELSON | | | | 2005/04/18 | | | | |
| DRAFT WHERE APPLICABLE MUST REMAIN WITHIN DIMENSIONS | | THIRD ANGLE PROJECTION | DRAWING | SERIES | DOCUMENT NUMBER | DOC TYPE | DOC PART | REVISION | | |
| | | | C-SIZE | 75784 | SD-75784-001 | PSD | 001 | D6 | | |
| | | MATERIAL NUMBER | | CUSTOMER | | SHEET NUMBER | | | | |
| | | SEE TABLE | | GENERAL MARKET | | 6 OF 13 | | | | |

| | | | | |
|-----------------|----|--------------|------------|----------|
| DOCUMENT STATUS | P1 | RELEASE DATE | 2021/09/08 | 12:08:25 |
|-----------------|----|--------------|------------|----------|

50 CIRCUIT ITEM NUMBERS

| CIRCUIT SIZE | ITEM NUMBER | PLATING OPTION | SHELL PCB OPTION | SHELL KEY OPTION |
|--------------|-------------|----------------|------------------|------------------|
| 50 | 75784-0232 | OPTION 1 | T/H 1.96 | UNIVERSAL |

| CIRCUIT SIZE | ITEM NUMBER | PLATING OPTION | SHELL PCB OPTION | SHELL KEY OPTION |
|--------------|-------------|----------------|------------------|------------------|
| 50 | 75784-0240 | OPTION 1 | T/H 2.79 | UNIVERSAL |
| 50 | 75784-0244 | OPTION 2 | T/H 2.79 | UNIVERSAL |
| 50 | 75784-0252 | OPTION 2 | T/H 3.18 | UNIVERSAL |

iPass™ IS A TRADEMARK OF MOLEX

| | | | | | | | | | | | |
|---|--------|--|--|------------|--------|--|--|----------------|--|--------------|----------|
| THIS DRAWING CONTAINS INFORMATION THAT IS PROPRIETARY TO MOLEX ELECTRONIC TECHNOLOGIES, LLC AND SHOULD NOT BE USED WITHOUT WRITTEN PERMISSION | | | | | | | | | | | |
| DIMENSION UNITS | SCALE | CURRENT REV DESC: OBSOLETE PART NUMBER AS PER PCN#510579 | | | | molex | | | | | |
| mm | 1:1 | | | | | I-PASS VERT CONNECTOR INTERNAL ASSY W/SHELL 0.8MM PITCH I/O | | | | | |
| GENERAL TOLERANCES (UNLESS SPECIFIED) | | | | | | PRODUCT CUSTOMER DRAWING | | | | | |
| ANGULAR TOL | ± 0.5° | EC NO: 675088 | | | | | | | | | |
| 4 PLACES | ± | DRWN: SUGEEB | | 2021/08/03 | | | | | | | |
| 3 PLACES | ± | CHK'D: GGA | | 2021/09/08 | | | | | | | |
| 2 PLACES | ± 0.13 | APPR: GGA | | 2021/09/08 | | | | | | | |
| 1 PLACE | ± 0.25 | INITIAL REVISION: | | | | | | | | | |
| 0 PLACES | ± | DRWN: KLANG | | 2005/04/15 | | DOCUMENT NUMBER | | DOC TYPE | | DOC PART | REVISION |
| | | APPR: RNELSON | | 2005/04/18 | | SD-75784-001 | | PSD | | 001 | D6 |
| DRAFT WHERE APPLICABLE MUST REMAIN WITHIN DIMENSIONS | | THIRD ANGLE PROJECTION | | DRAWING | SERIES | MATERIAL NUMBER | | CUSTOMER | | SHEET NUMBER | |
| | | | | C-SIZE | 75784 | SEE TABLE | | GENERAL MARKET | | 7 OF 13 | |

| | | | | |
|-----------------|----|--------------|------------|----------|
| DOCUMENT STATUS | P1 | RELEASE DATE | 2021/09/08 | 12:08:25 |
|-----------------|----|--------------|------------|----------|

68 CIRCUIT ITEM NUMBERS

| CIRCUIT SIZE | ITEM NUMBER | PLATING OPTION | SHELL PCB OPTION | SHELL KEY OPTION |
|--------------|-------------|----------------|------------------|------------------|
| 68 | 75784-0332 | OPTION 1 | T/H 1.96 | UNIVERSAL |
| 68 | 75784-0336 | OPTION 2 | T/H 1.96 | UNIVERSAL |

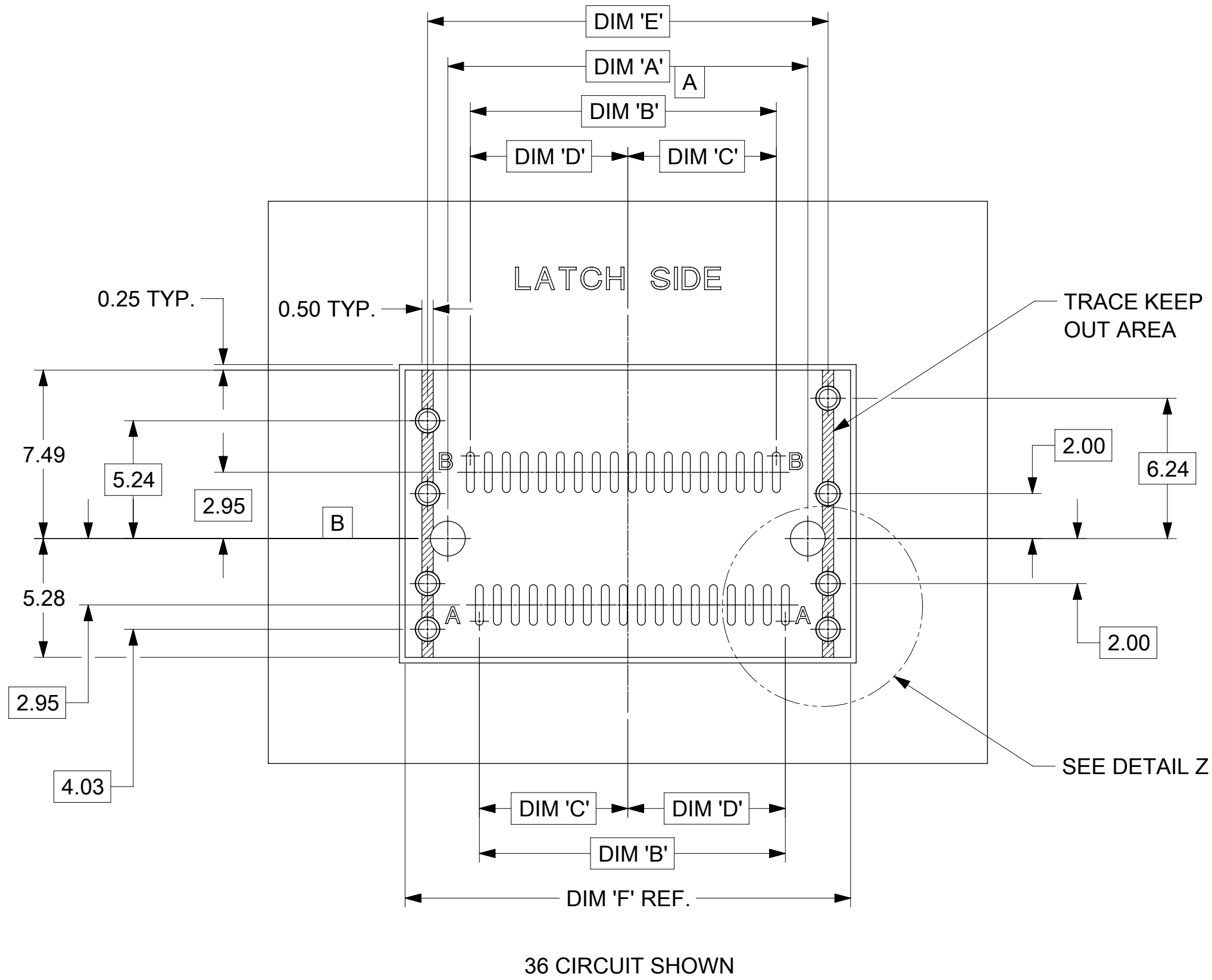
| CIRCUIT SIZE | ITEM NUMBER | PLATING OPTION | SHELL PCB OPTION | SHELL KEY OPTION |
|--------------|-------------|----------------|------------------|------------------|
| 68 | 75784-0338 | OPTION 1 | T/H 2.79 | RIGHT |
| 68 | 75784-0340 | OPTION 1 | T/H 2.79 | UNIVERSAL |
| 68 | 75784-0344 | OPTION 2 | T/H 2.79 | UNIVERSAL |
| 68 | 75784-0348 | OPTION 1 | T/H 3.18 | UNIVERSAL |
| 68 | 75784-0352 | OPTION 2 | T/H 3.18 | UNIVERSAL |

iPass™ IS A TRADEMARK OF MOLEX

| | | | | | | | | | | | | |
|---|-------|--|--|----------------|--|--|--|----------|-----|--------------|----------|----------|
| THIS DRAWING CONTAINS INFORMATION THAT IS PROPRIETARY TO MOLEX ELECTRONIC TECHNOLOGIES, LLC AND SHOULD NOT BE USED WITHOUT WRITTEN PERMISSION | | | | | | | | | | | | |
| DIMENSION UNITS | SCALE | CURRENT REV DESC: OBSOLETE PART NUMBER AS PER PCN#510579 | | | | molex | | | | | | |
| mm | 1:1 | EC NO: 675088 DRWN: SUGEEB 2021/08/03 CHK'D: GGA 2021/09/08 APPR: GGA 2021/09/08 INITIAL REVISION: DRWN: KLANG 2005/04/15 APPR: RNELSON 2005/04/18 | | | | I-PASS VERT CONNECTOR INTERNAL ASSY W/SHELL 0.8MM PITCH I/O | | | | | | |
| GENERAL TOLERANCES (UNLESS SPECIFIED) | | | | | | PRODUCT CUSTOMER DRAWING | | | | | | |
| ANGULAR TOL ± 0.5° | | | | | | DOCUMENT NUMBER | | | | DOC TYPE | DOC PART | REVISION |
| 4 PLACES ± | | | | | | SD-75784-001 | | PSD | 001 | D6 | | |
| 3 PLACES ± | | | | | | MATERIAL NUMBER | | CUSTOMER | | SHEET NUMBER | | |
| 2 PLACES ± 0.13 | | SEE TABLE | | GENERAL MARKET | | 8 OF 13 | | | | | | |
| 1 PLACE ± 0.25 | | DRAWING | | SERIES | | SHEET NUMBER | | | | | | |
| 0 PLACES ± | | C-SIZE | | 75784 | | 8 OF 13 | | | | | | |
| DRAFT WHERE APPLICABLE MUST REMAIN WITHIN DIMENSIONS | | THIRD ANGLE PROJECTION | | DRAWING | | SERIES | | | | | | |
| | | | | C-SIZE | | 75784 | | | | | | |

| | | | | |
|-----------------|----|--------------|------------|----------|
| DOCUMENT STATUS | P1 | RELEASE DATE | 2021/09/08 | 12:08:25 |
|-----------------|----|--------------|------------|----------|

VERTICAL CONNECTOR WITH RETENTION FIT & THRU-HOLE SHELL PCB FOOT PRINT

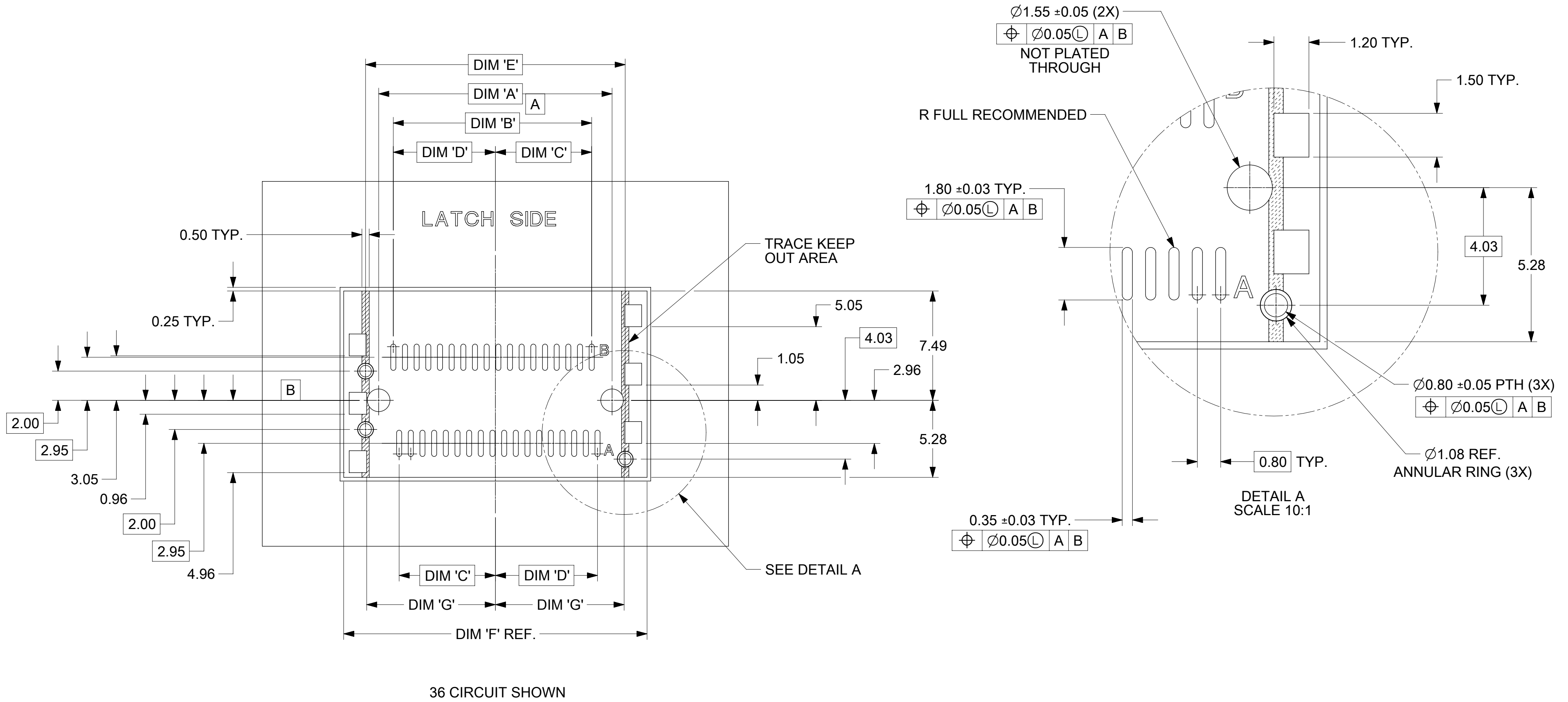


| | PEG TO PEG | FIRST TO LAST PAD | CENTERLINE TO PAD | CENTERLINE TO PAD | SHELL PEG TO PEG | SHELL FOOTPRINT WIDTH |
|--------------|------------|-------------------|-------------------|-------------------|------------------|-----------------------|
| CIRCUIT SIZE | DIM 'A' | DIM 'B' | DIM 'C' | DIM 'D' | DIM 'E' | DIM 'F' |
| 26 | 12.00 | 9.60 | 4.60 | 5.00 | 13.80 | 15.80 |
| 36 | 16.00 | 13.60 | 6.60 | 7.00 | 17.80 | 19.80 |
| 50 | 21.60 | 19.20 | 9.40 | 9.80 | 23.40 | 25.40 |
| 68 | 28.80 | 26.40 | 13.00 | 13.40 | 30.60 | 32.60 |

iPass™ IS A TRADEMARK OF MOLEX

| | | | | | | | | | | | |
|---|--|-------------------------------------|--|---|--|------------------------|--|------------------------------|--|---|--|
| THIS DRAWING CONTAINS INFORMATION THAT IS PROPRIETARY TO MOLEX ELECTRONIC TECHNOLOGIES, LLC AND SHOULD NOT BE USED WITHOUT WRITTEN PERMISSION | | | | | | | | | | | |
| DIMENSION UNITS mm | | SCALE 5:1 | | CURRENT REV DESC: OBSOLETE PART NUMBER AS PER PCN#510579 | | | | | | molex | |
| GENERAL TOLERANCES (UNLESS SPECIFIED) | | ANGULAR TOL ± 0.5° | | EC NO: 675088 DRWN: SUGEEB 2021/08/03 CHK'D: GGA 2021/09/08 APPR: GGA 2021/09/08 | | | | | | | |
| 4 PLACES ± | | 3 PLACES ± | | 2 PLACES ± 0.13 | | 1 PLACE ± 0.25 | | 0 PLACES ± | | INITIAL REVISION: DRWN: KLANG 2005/04/15 APPR: RNELSON 2005/04/18 | |
| DRAFT WHERE APPLICABLE MUST REMAIN WITHIN DIMENSIONS | | THIRD ANGLE PROJECTION | | DRAWING C-SIZE | | SERIES 75784 | | MATERIAL NUMBER SEE TABLE | | CUSTOMER GENERAL MARKET | |
| DOCUMENT STATUS P1 | | RELEASE DATE 2021/09/08 12:08:25 | | DOCUMENT NUMBER SD-75784-001 | | DOC TYPE PSD | | DOC PART 001 | | REVISION D6 | |
| SHEET NUMBER 9 OF 13 | | | | | | | | | | | |

VERTICAL CONNECTOR WITH SMT SHELL PCB FOOT PRINT



| | PEG TO PEG | FIRST TO LAST PAD | CENTERLINE TO PAD | CENTERLINE TO PAD | SHELL PEG TO PEG | SHELL FOOTPRINT WIDTH | CENTERLINE TO PAD EDGE |
|--------------|------------|-------------------|-------------------|-------------------|------------------|-----------------------|------------------------|
| CIRCUIT SIZE | DIM 'A' | DIM 'B' | DIM 'C' | DIM 'D' | DIM 'E' | DIM 'F' | DIM 'G' |
| 26 | 12.00 | 9.60 | 4.60 | 5.00 | 13.80 | 16.80 | 6.825 |
| 36 | 16.00 | 13.60 | 6.60 | 7.00 | 17.80 | 20.80 | 8.825 |
| 50 | 21.60 | 19.20 | 9.40 | 9.80 | 23.40 | 26.40 | 11.625 |
| 68 | 28.80 | 26.40 | 13.00 | 13.40 | 30.60 | 33.60 | 15.225 |

iPass™ IS A TRADEMARK OF MOLEX

| | | | | | |
|---|---------------------|--|--|--|--|
| THIS DRAWING CONTAINS INFORMATION THAT IS PROPRIETARY TO MOLEX ELECTRONIC TECHNOLOGIES, LLC AND SHOULD NOT BE USED WITHOUT WRITTEN PERMISSION | | CURRENT REV DESC: OBSOLETE PART NUMBER AS PER PCN#510579 | | molex | |
| DIMENSION UNITS mm | SCALE 5:1 | EC NO: 675088 | | I-PASS VERT CONNECTOR INTERNAL ASSY W/SHELL 0.8MM PITCH I/O | |
| GENERAL TOLERANCES (UNLESS SPECIFIED) | | DRWN: SUGEEB 2021/08/03 | | | |
| ANGULAR TOL ± 0.5° | | CHK'D: GGA 2021/09/08 | | PRODUCT CUSTOMER DRAWING | |
| 4 PLACES ± | | APPR: GGA 2021/09/08 | | INITIAL REVISION: | |
| 3 PLACES ± | | DRWN: KLANG 2005/04/15 | | DOCUMENT NUMBER | |
| 2 PLACES ± 0.13 | | APPR: RNELSON 2005/04/18 | | SD-75784-001 | |
| 1 PLACE ± 0.25 | | DRAFT WHERE APPLICABLE MUST REMAIN WITHIN DIMENSIONS | | DOC TYPE DOC PART REVISION | |
| 0 PLACES ± | | THIRD ANGLE PROJECTION | | PSD 001 D6 | |
| DRAWING | | SERIES | | MATERIAL NUMBER | |
| C-SIZE | | 75784 | | CUSTOMER | |
| SHEET NUMBER | | GENERAL MARKET | | SEE TABLE | |
| 10 OF 13 | | 10 OF 13 | | 10 OF 13 | |

VERTICAL CONNECTOR WITH SHELL PCB FOOT PRINT DESCRIPTIONS

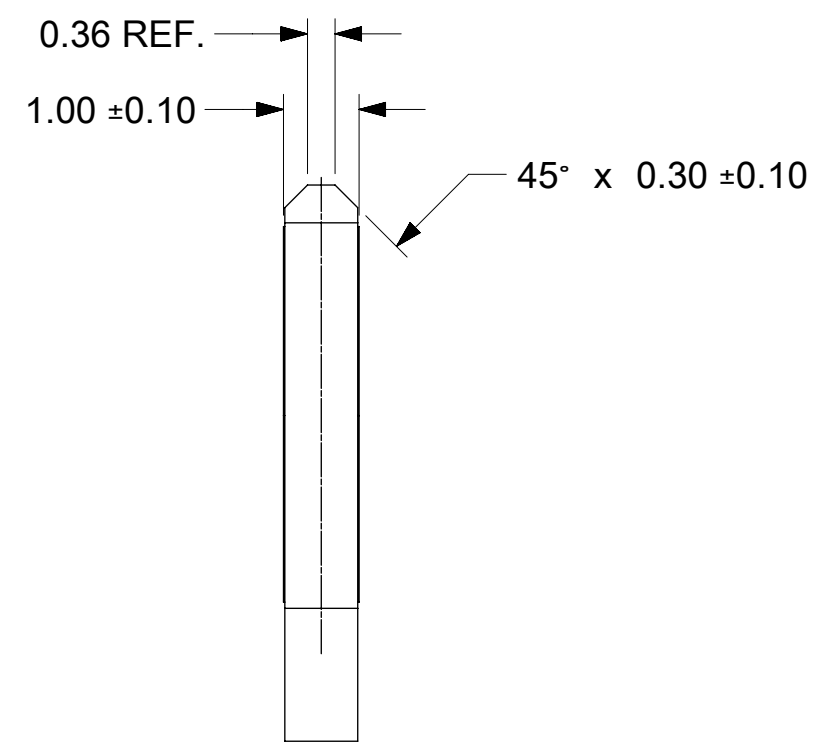


iPass™ IS A TRADEMARK OF MOLEX

| | | | | | | | | | | |
|---|-------|--|--|---------|--------|--|--|----------------|----------|----------|
| THIS DRAWING CONTAINS INFORMATION THAT IS PROPRIETARY TO MOLEX ELECTRONIC TECHNOLOGIES, LLC AND SHOULD NOT BE USED WITHOUT WRITTEN PERMISSION | | | | | | | | | | |
| DIMENSION UNITS | SCALE | CURRENT REV DESC: OBSOLETE PART NUMBER AS PER PCN#510579 | | | | molex | | | | |
| mm | 5:1 | | | | | I-PASS VERT CONNECTOR INTERNAL ASSY W/SHELL 0.8MM PITCH I/O | | | | |
| GENERAL TOLERANCES (UNLESS SPECIFIED) | | | | | | PRODUCT CUSTOMER DRAWING | | | | |
| ANGULAR TOL ± 0.5° | | EC NO: 675088 | | | | DOCUMENT NUMBER | | | | |
| 4 PLACES ± | | DRWN: SUGEEB 2021/08/03 | | | | SD-75784-001 | | DOC TYPE | DOC PART | REVISION |
| 3 PLACES ± | | CHK'D: GGA 2021/09/08 | | | | PSD | | 001 | D6 | |
| 2 PLACES ± 0.13 | | APPR: GGA 2021/09/08 | | | | MATERIAL NUMBER | | | | |
| 1 PLACE ± 0.25 | | INITIAL REVISION: | | | | CUSTOMER | | | | |
| 0 PLACES ± | | DRWN: KLANG 2005/04/15 | | | | SEE TABLE | | GENERAL MARKET | | |
| DRAFT WHERE APPLICABLE MUST REMAIN WITHIN DIMENSIONS | | THIRD ANGLE PROJECTION | | DRAWING | SERIES | SHEET NUMBER | | 11 OF 13 | | |
| | | | | C-SIZE | 75784 | | | | | |

| | | | | |
|-----------------|----|--------------|------------|----------|
| DOCUMENT STATUS | P1 | RELEASE DATE | 2021/09/08 | 12:08:25 |
|-----------------|----|--------------|------------|----------|

MATING INTERFACE (FOR REFERENCE ONLY)



- NOTES:
- PAD CONFIGURATION FOR FIRST MATE.
 - PAD CONFIGURATION FOR SECOND MATE.
 - PAD CONFIGURATION FOR THIRD MATE. (HIGH SPEED SIGNALS)
 - FOR PIN ASSIGNMENTS AND MATING SEQUENCE (1ST, 2ND, 3RD), SEE APPLICABLE SPECIFICATION.
 - MINIMUM STEP REQUIRED IF PCB MADE WIDER THAN TONGUE.

iPass™ IS A TRADEMARK OF MOLEX

| CIRCUIT SIZE | TERM/SIDE 'N' | DIM 'B' | DIM 'C' | DIM 'D' | DIM 'E' |
|--------------|---------------|---------|---------|---------|---------|
| 26 | 13 | 9.60 | 4.60 | 5.00 | 11.60 |
| 36 | 18 | 13.60 | 6.60 | 7.00 | 15.60 |
| 50 | 25 | 19.20 | 9.40 | 9.80 | 21.20 |
| 68 | 34 | 26.40 | 13.00 | 13.40 | 28.40 |

| | | | | | | | | | | | | | |
|---|--|------------------------|--|---|--|--------|--|--|--|----------------|--|--------------|--|
| THIS DRAWING CONTAINS INFORMATION THAT IS PROPRIETARY TO MOLEX ELECTRONIC TECHNOLOGIES, LLC AND SHOULD NOT BE USED WITHOUT WRITTEN PERMISSION | | | | | | | | | | | | | |
| DIMENSION UNITS mm | | SCALE 1:1 | | CURRENT REV DESC: OBSOLETE PART NUMBER AS PER PCN#510579 | | | | | | | | | |
| GENERAL TOLERANCES (UNLESS SPECIFIED) | | | | | | | | | | | | | |
| ANGULAR TOL ± 0.5° | | | | EC NO: 675088 | | | | I-PASS VERT CONNECTOR INTERNAL ASSY W/SHELL 0.8MM PITCH I/O | | | | | |
| 4 PLACES ± | | | | DRWN: SUGEEB 2021/08/03 | | | | PRODUCT CUSTOMER DRAWING | | | | | |
| 3 PLACES ± | | | | CHK'D: GGA 2021/09/08 | | | | DOCUMENT NUMBER | | | | | |
| 2 PLACES ± 0.13 | | | | APPR: GGA 2021/09/08 | | | | SD-75784-001 | | | | | |
| 1 PLACE ± 0.25 | | | | INITIAL REVISION: | | | | DOC TYPE | | DOC PART | | REVISION | |
| 0 PLACES ± | | | | DRWN: KLANG 2005/04/15 | | | | PSD | | 001 | | D6 | |
| DRAFT WHERE APPLICABLE MUST REMAIN WITHIN DIMENSIONS | | THIRD ANGLE PROJECTION | | DRAWING | | SERIES | | MATERIAL NUMBER | | CUSTOMER | | SHEET NUMBER | |
| | | | | C-SIZE | | 75784 | | SEE TABLE | | GENERAL MARKET | | 12 OF 13 | |

| | | | |
|-----------------|----|--------------|---------------------|
| DOCUMENT STATUS | P1 | RELEASE DATE | 2021/09/08 12:08:25 |
|-----------------|----|--------------|---------------------|

REVISION DESCRIPTION

| REV | DATE | DESCRIPTION |
|-----|------------|---|
| D5 | 2019/4/17 | DRAWING MIGRATION TO ECTR |
| D6 | 2021/08/03 | OBSOLETE PART NUMBERS: 757840008,757840019,757840020,757840021,757840022,757840023,757840024,757840029,757840030,757840031,757840033, 757840034,757840035,757840107,757840108,757840130,757840135,757840145,757840146,757840149,757840153,757840154, 757840155,757840157,757840158,757840207,757840209,757840210,757840211,757840219,757840220,757840221,757840222, 757840223,757840224,757840227,757840228,757840229,757840230,757840231,757840233,757840234,757840235,757840236, 757840237,757840238,757840239,757840241,757840242,757840243,757840246,757840247,757840248,757840249,757840250, 757840251,757840309,757840310,757840311,757840312,757840319,757840321,757840322,757840323,757840325,757840331, 757840335,757840339,757840341,757840342,757840343,757840345,757840346,757840347,757840349,757840350 |

THIS DRAWING CONTAINS INFORMATION THAT IS PROPRIETARY TO MOLEX ELECTRONIC TECHNOLOGIES, LLC AND SHOULD NOT BE USED WITHOUT WRITTEN PERMISSION

| | | | | | | |
|--|--------|--|--|----------------|--------------|--|
| DIMENSION UNITS | SCALE | CURRENT REV DESC: OBSOLETE PART NUMBER AS PER PCN#510579 | molex | | | |
| mm | 1:1 | | | | | |
| GENERAL TOLERANCES (UNLESS SPECIFIED) | | | I-PASS VERT CONNECTOR INTERNAL ASSY W/SHELL 0.8MM PITCH I/O | | | |
| ANGULAR TOL | ± 0.5° | EC NO: 675088 | PRODUCT CUSTOMER DRAWING | | | |
| 4 PLACES | ± | DRWN: SUGEEB 2021/08/03 | DOCUMENT NUMBER | | | |
| 3 PLACES | ± | CHK'D: GGA 2021/09/08 | SD-75784-001 | | | |
| 2 PLACES | ± 0.13 | APPR: GGA 2021/09/08 | DOC TYPE | DOC PART | REVISION | |
| 1 PLACE | ± 0.25 | INITIAL REVISION: | | | | |
| 0 PLACES | ± | DRWN: KLANG 2005/04/15 | | | | |
| DRAFT WHERE APPLICABLE MUST REMAIN WITHIN DIMENSIONS | | APPR: RNELSON 2005/04/18 | MATERIAL NUMBER | CUSTOMER | SHEET NUMBER | |
| | | THIRD ANGLE PROJECTION | SEE TABLE | GENERAL MARKET | 13 OF 13 | |
| | | | DRAWING | | | |
| | | | C-SIZE | | | |
| | | | SERIES | | | |
| | | | 75784 | | | |



I-PASS VERT CONNECTOR
INTERNAL ASSY W/SHELL 0.8MM PITCH I/O

PRODUCT CUSTOMER DRAWING

SD-75784-001

PSD 001 D6

SEE TABLE GENERAL MARKET 13 OF 13

| | | | | |
|-----------------|----|--------------|------------|----------|
| DOCUMENT STATUS | P1 | RELEASE DATE | 2021/09/08 | 12:08:25 |
|-----------------|----|--------------|------------|----------|