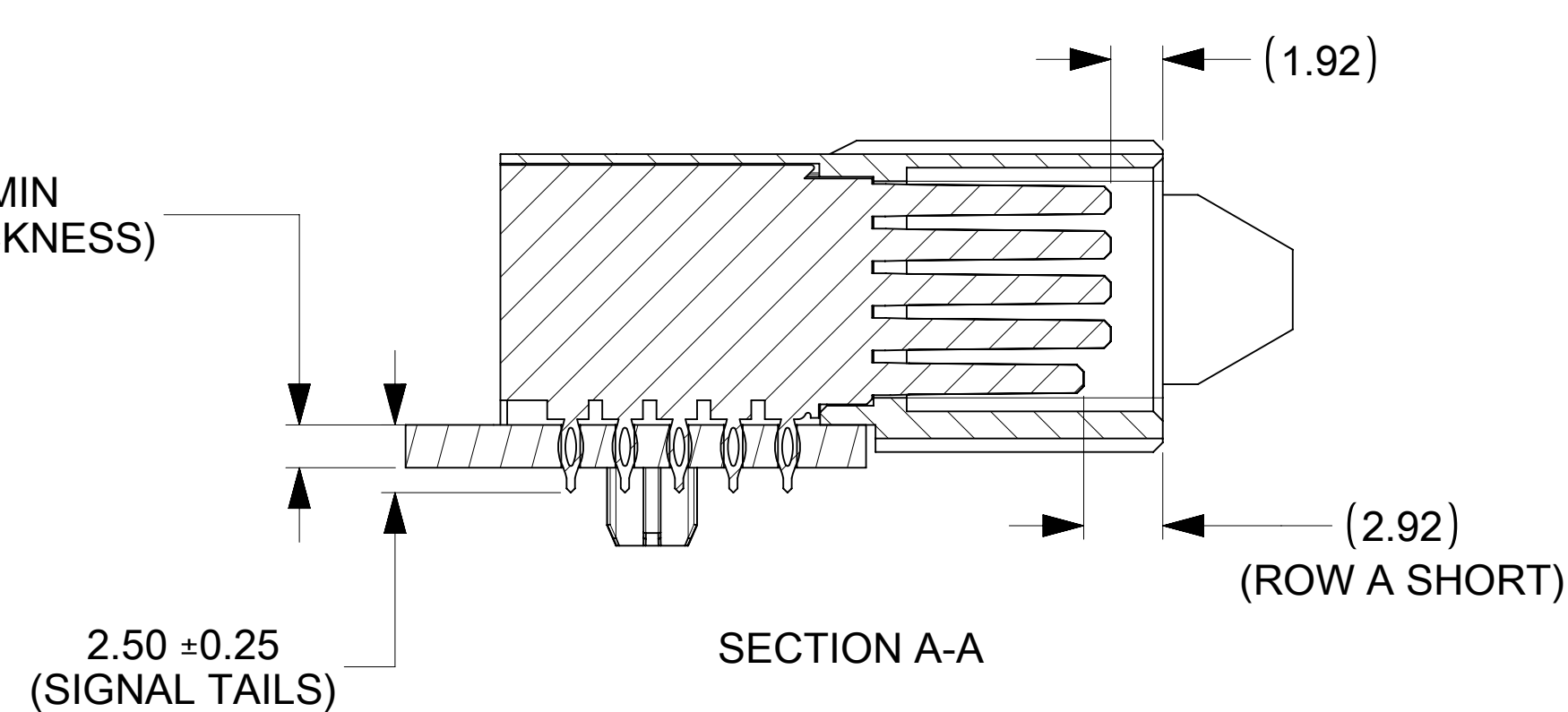
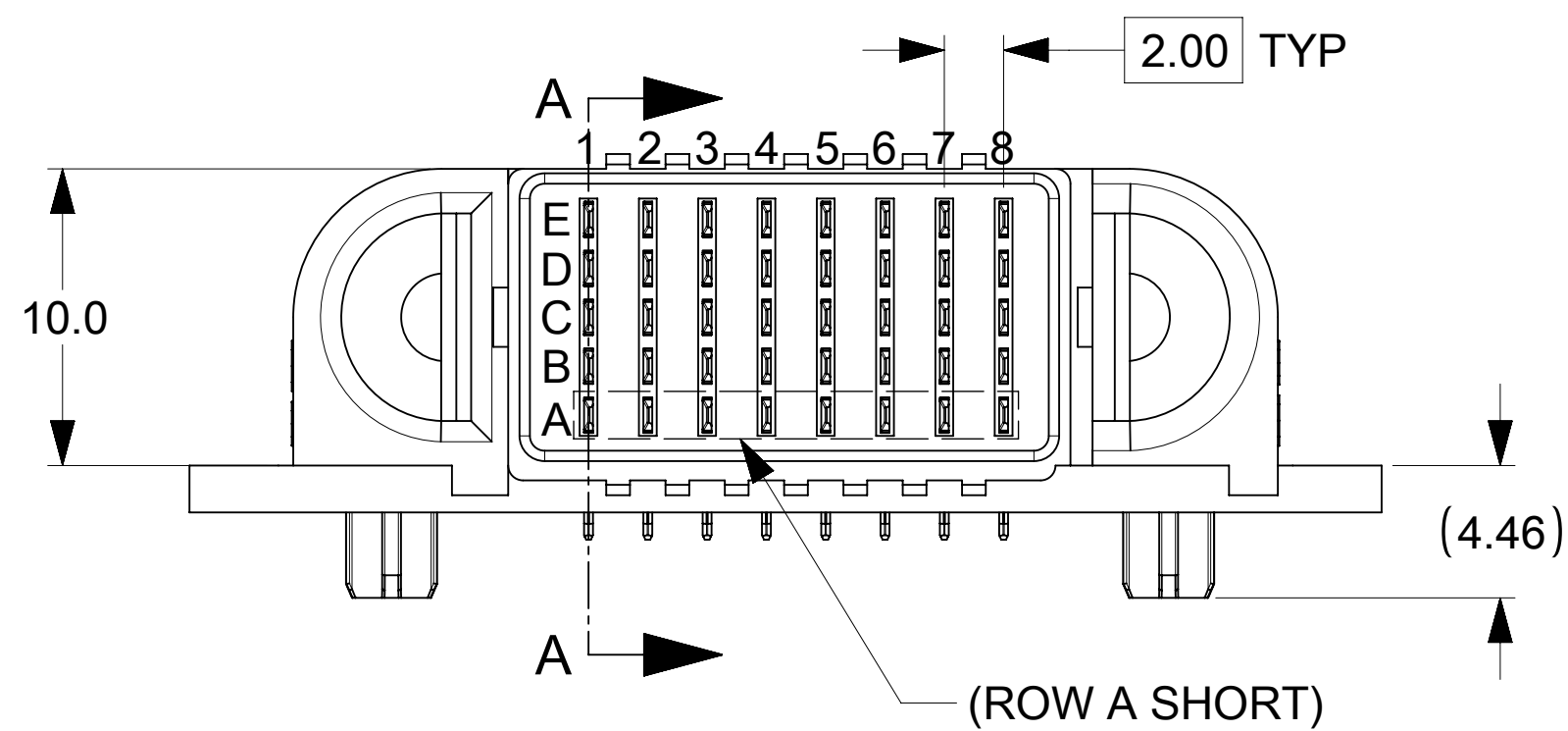
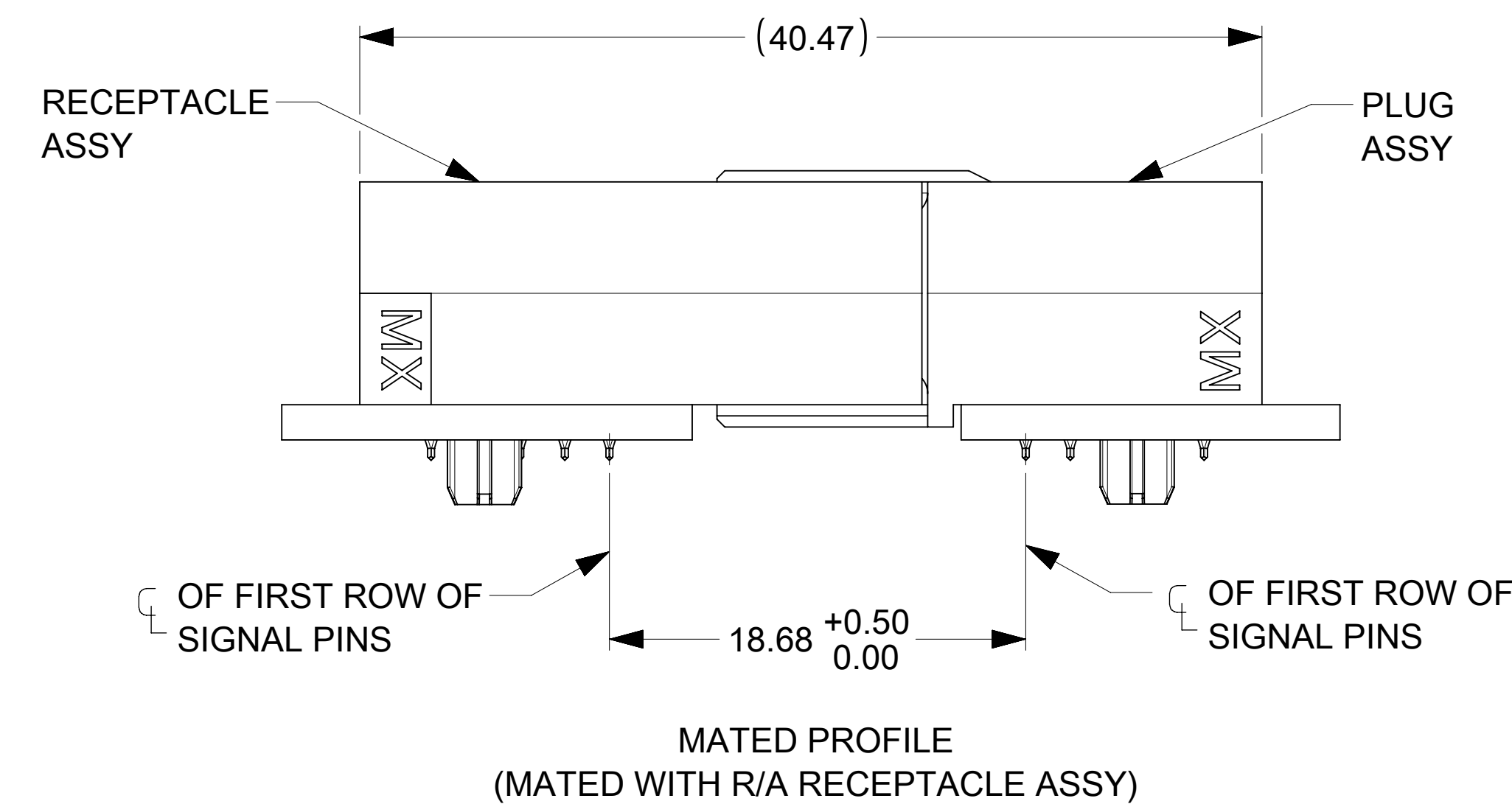
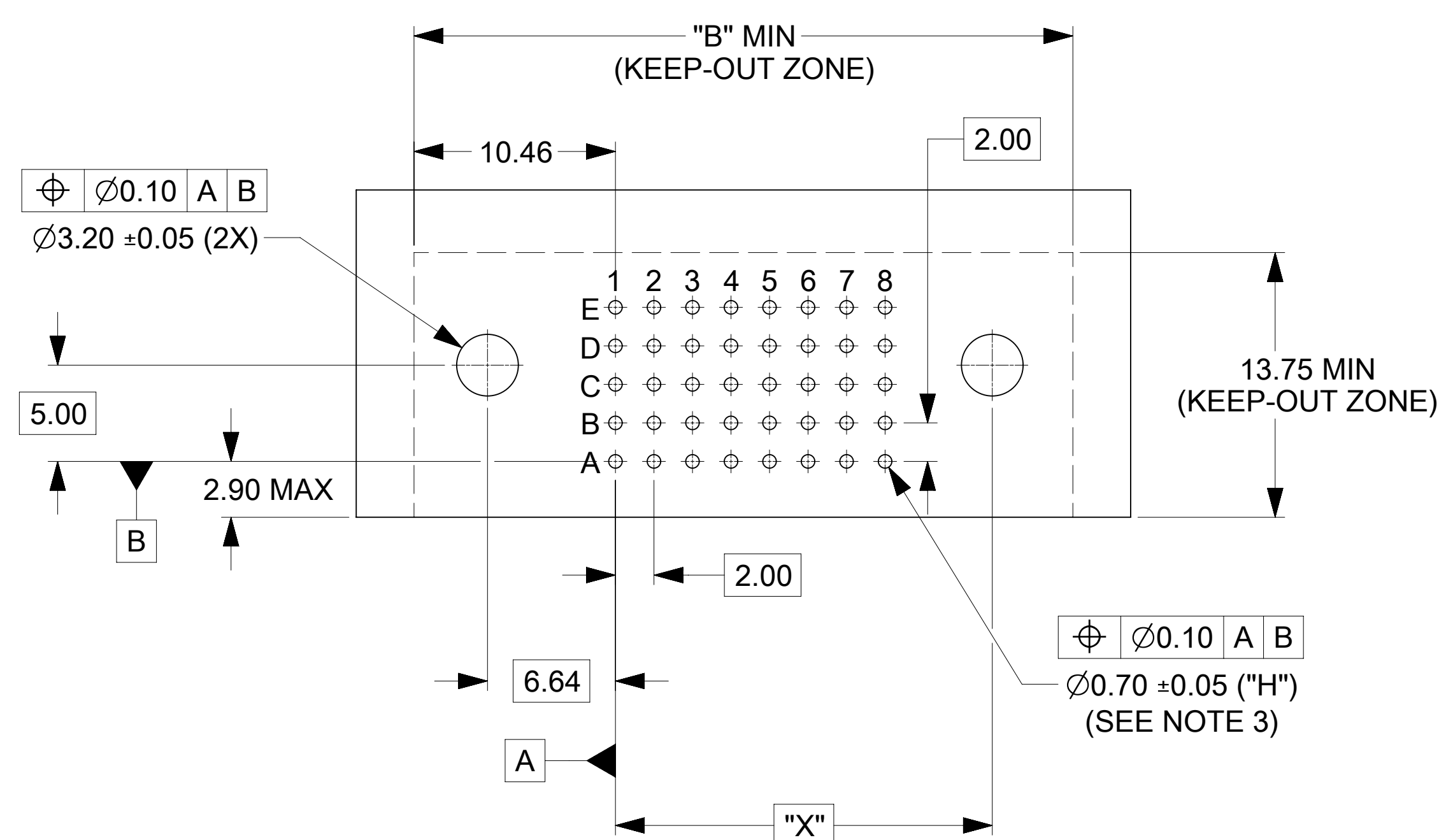


P/N : 46437-3133 (G-40S-G)



- NOTES:
- MATERIAL:
    - HOUSINGS: LCP UL94, V-0, COLOR : BLACK
    - TERMINALS: HIGH CONDUCTIVITY COPPER ALLOY
    - PLATING: 1.27 MICROMETER (50 MICROINCH) NICKEL OVERALL WITH 2.54 MICROMETER (100 MICROINCH) SELECTIVE TIN ON TAILS AND 0.762 MICROMETER (30 MICROINCH) SELECTIVE GOLD ON CONTACT AREA
  - PACKAGING: ASSEMBLIES TO BE TRAY PACKED PER PACKAGING SPEC: 464371001-PK
  - PLATED THRU HOLE SIZE, REFER TO PS-46436-100 FOR DETAILS
  - PRODUCT SPEC: PS-46436-100
  - PRODUCT TO MEET RoHS REQUIREMENTS
  - ASSEMBLY MATES TO MOLEX RECEPTACLE ASSEMBLY P/N 46562-\*\*\*\* AND 46436-\*\*\*\* (SEE TABLE IN SHEET 2)
  - TAIL DESIGN: COMPLIANT PINS
  - SIGNAL CONTACTS ARE LUBRICATED.
  - APPLICATION SPEC: AS-46436-100.
  - MOLEX LOGO TO BE LOCATED APPROXIMATELY AS SHOWN.

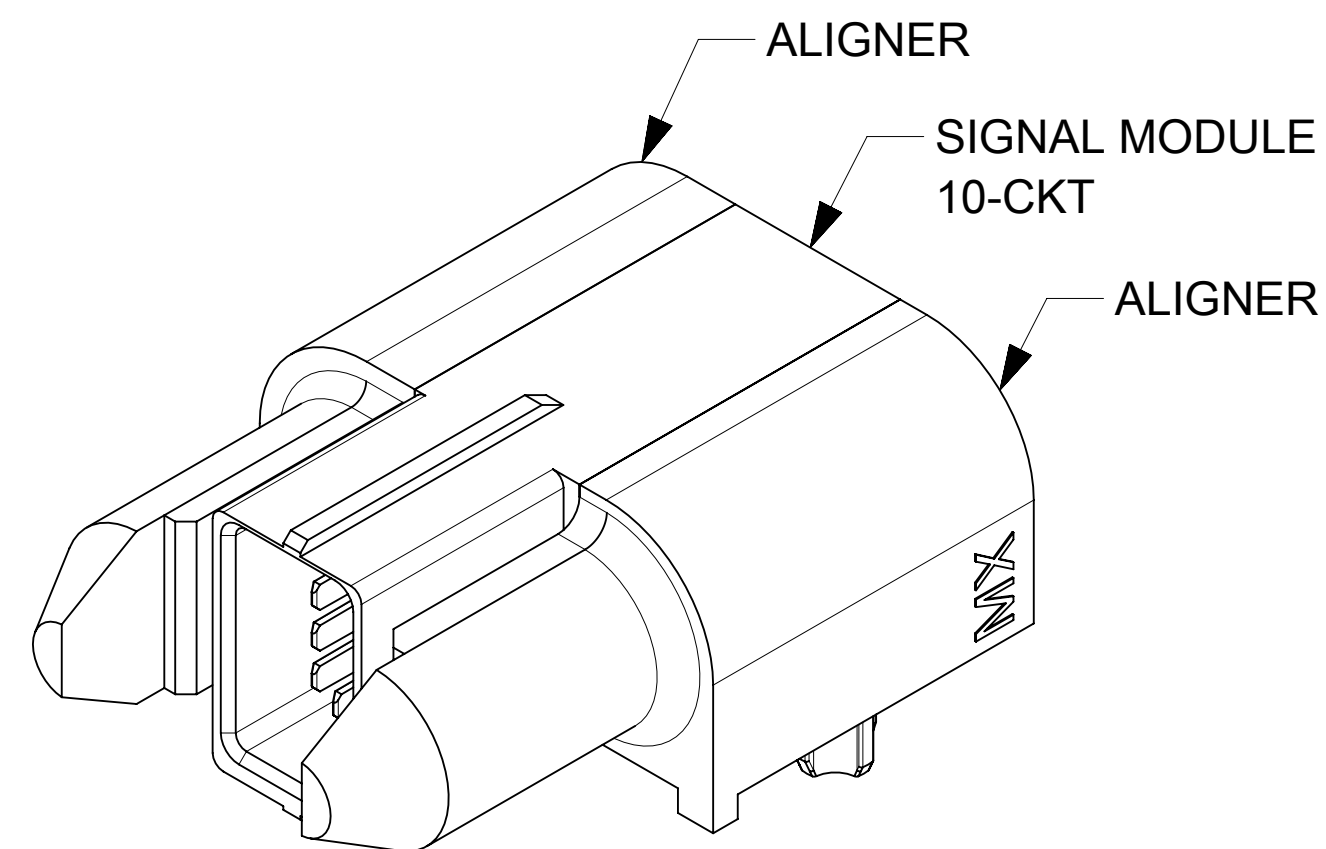


RECOMMENDED PCB LAYOUT AND KEEP-OUT ZONE FOR G-(10S TO 40S)-G

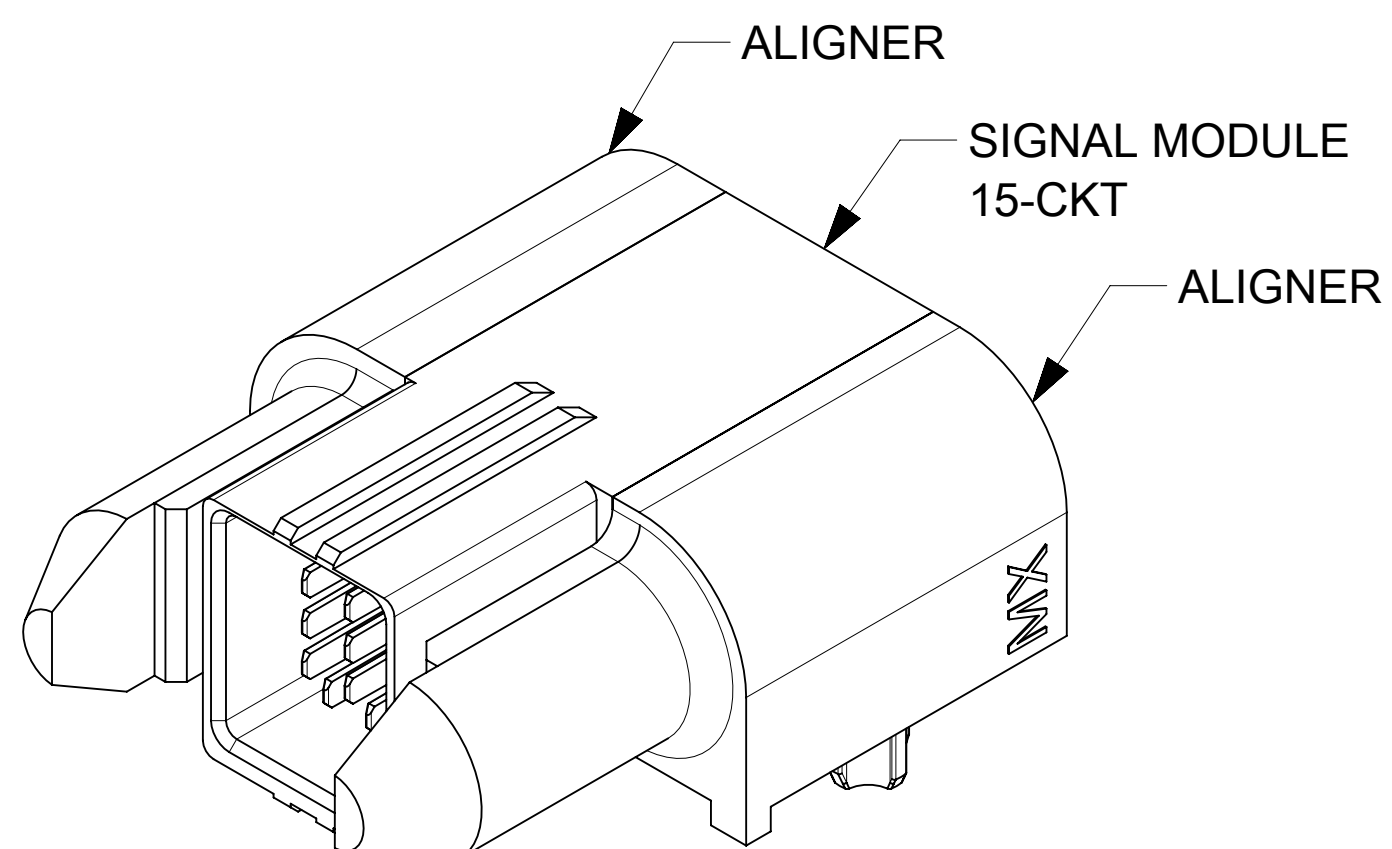
THIS DRAWING CONTAINS INFORMATION THAT IS PROPRIETARY TO MOLEX ELECTRONIC TECHNOLOGIES, LLC AND SHOULD NOT BE USED WITHOUT WRITTEN PERMISSION										
DIMENSION UNITS	SCALE	CURRENT REV DESC: INITIAL RELEASE								
mm	4:1	<p>G-*S-G R/A PLUG ASSY - TEN60 POWER FAMILY</p> <p>PRODUCT CUSTOMER DRAWING</p>								
GENERAL TOLERANCES (UNLESS SPECIFIED)										
ANGULAR TOL	± 0.5°									
4 PLACES	±									
3 PLACES	±									
2 PLACES	± 0.25									
1 PLACE	± 0.25	EC NO: 690238	DRWN: KSUTAR		2021/12/22		2022/01/04		2022/01/17	
0 PLACES	±	INITIAL REVISION:		DRWN: KSUTAR		2021/12/22		2022/01/17		
DRAFT WHERE APPLICABLE MUST REMAIN WITHIN DIMENSIONS		THIRD ANGLE PROJECTION	DRAWING	SERIES	MATERIAL NUMBER	CUSTOMER	SHEET NUMBER			
			D-SIZE	46437	SEE TABLE	GENERAL MARKET	1 OF 2			

REFER TO BELOW TABLE FOR DIMENSIONS.

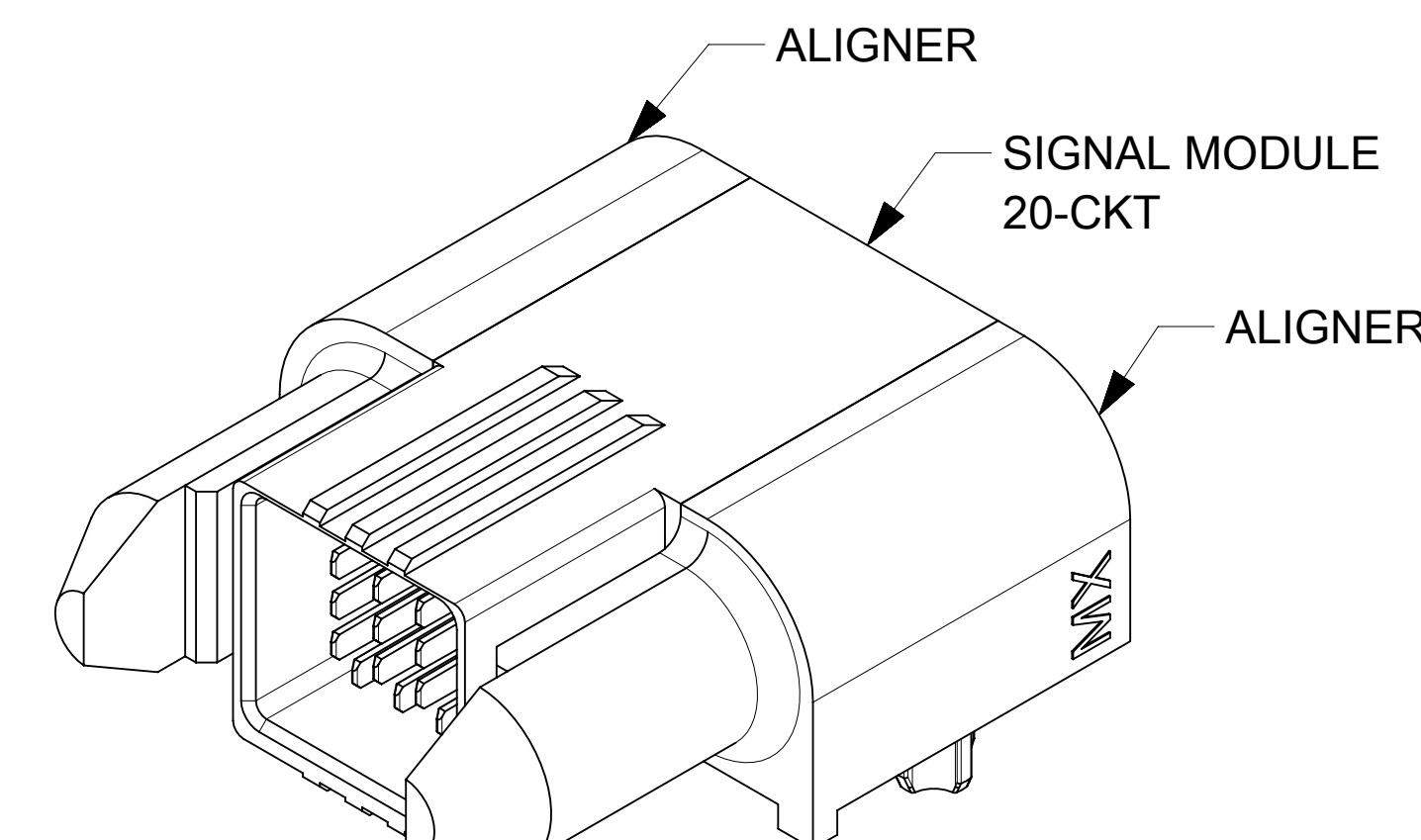
FG P/N	CONFIGURATION	SIGNAL CKT SIZE	DIM "A" (IN MM)	DIM "B" (IN MM)	DIM "X" (IN MM)	HOLES COUNT "H"	MATES WITH R/A ASSY P/N	MATES WITH VERT ASSY P/N
46437-3127	G-10S-G	10	21.21	22.21	7.57	10	46436-3127	46562-3127
46437-3128	G-15S-G	15	23.21	24.21	9.57	15	46436-3128	46562-3128
46437-3129	G-20S-G	20	25.21	26.21	11.57	20	46436-3129	46562-3129
46437-3130	G-25S-G	25	27.21	28.21	13.57	25	46436-3130	46562-3130
46437-3131	G-30S-G	30	29.21	30.21	15.57	30	46436-3131	46562-3131
46437-3132	G-35S-G	35	31.21	32.21	17.57	35	46436-3132	46562-3132
46437-3133	G-40S-G	40	33.21	34.21	19.57	40	46436-3133	46562-3133



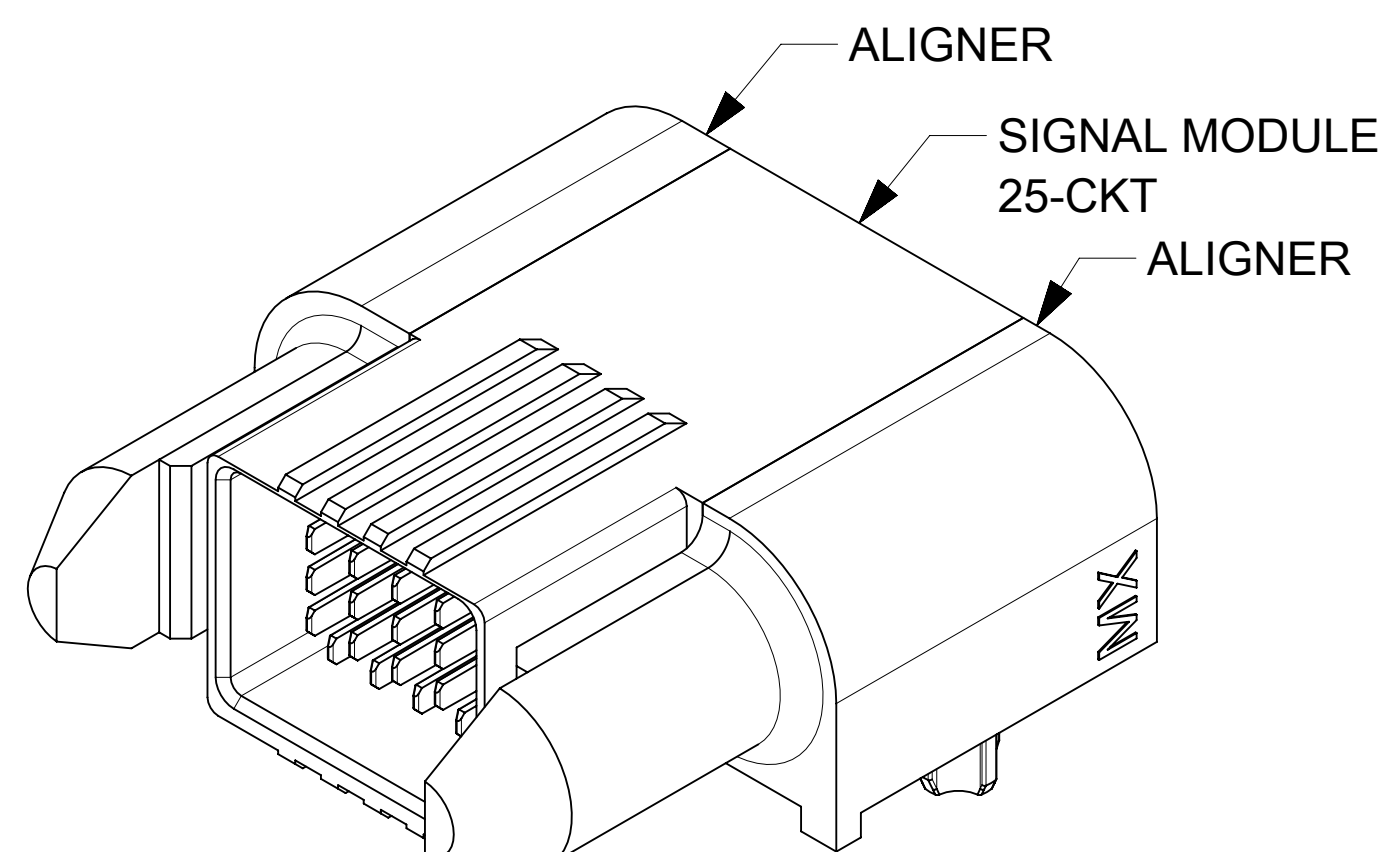
P/N : 46437-3127 (G-10S-G)



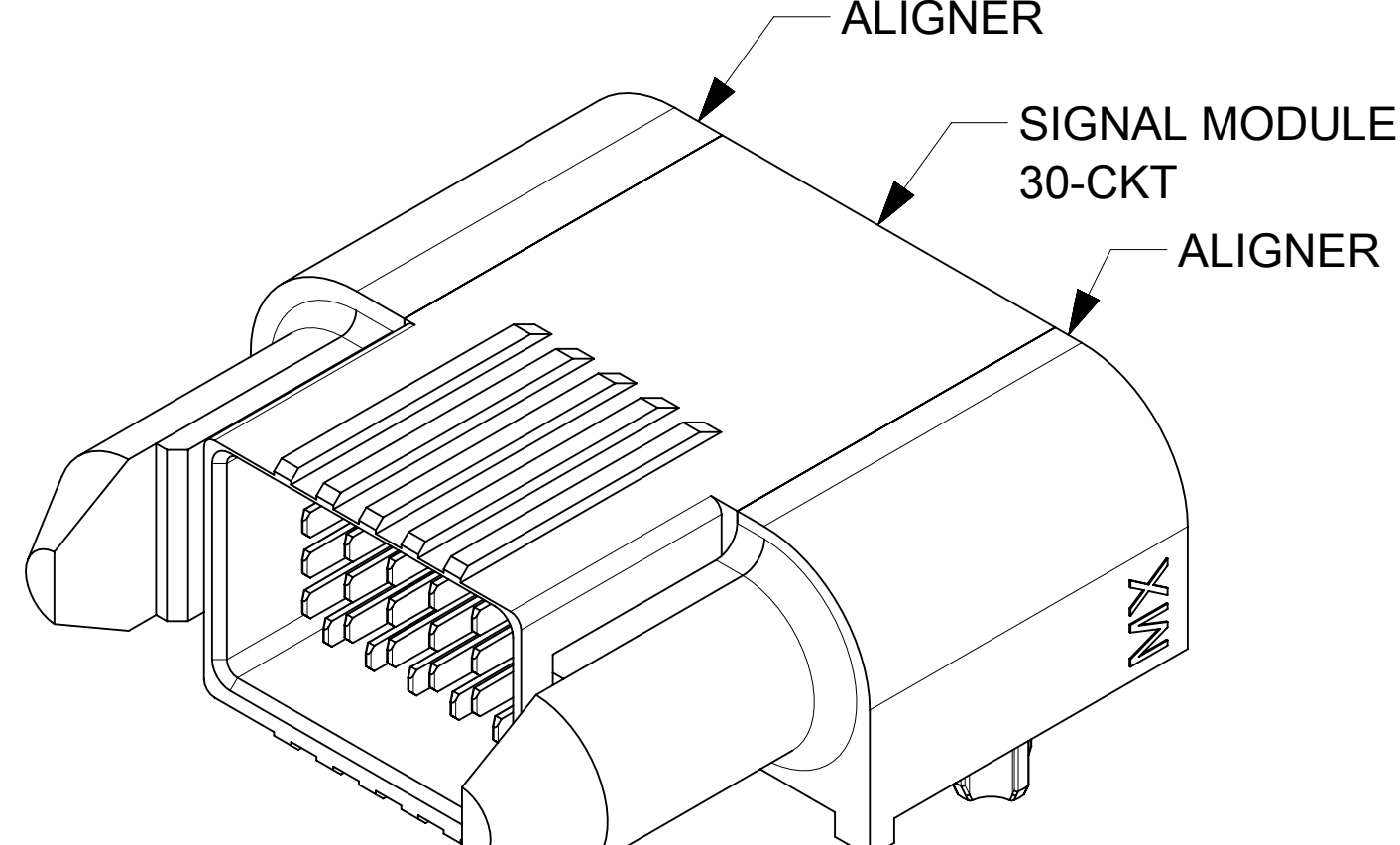
P/N : 46437-3128 (G-15S-G)



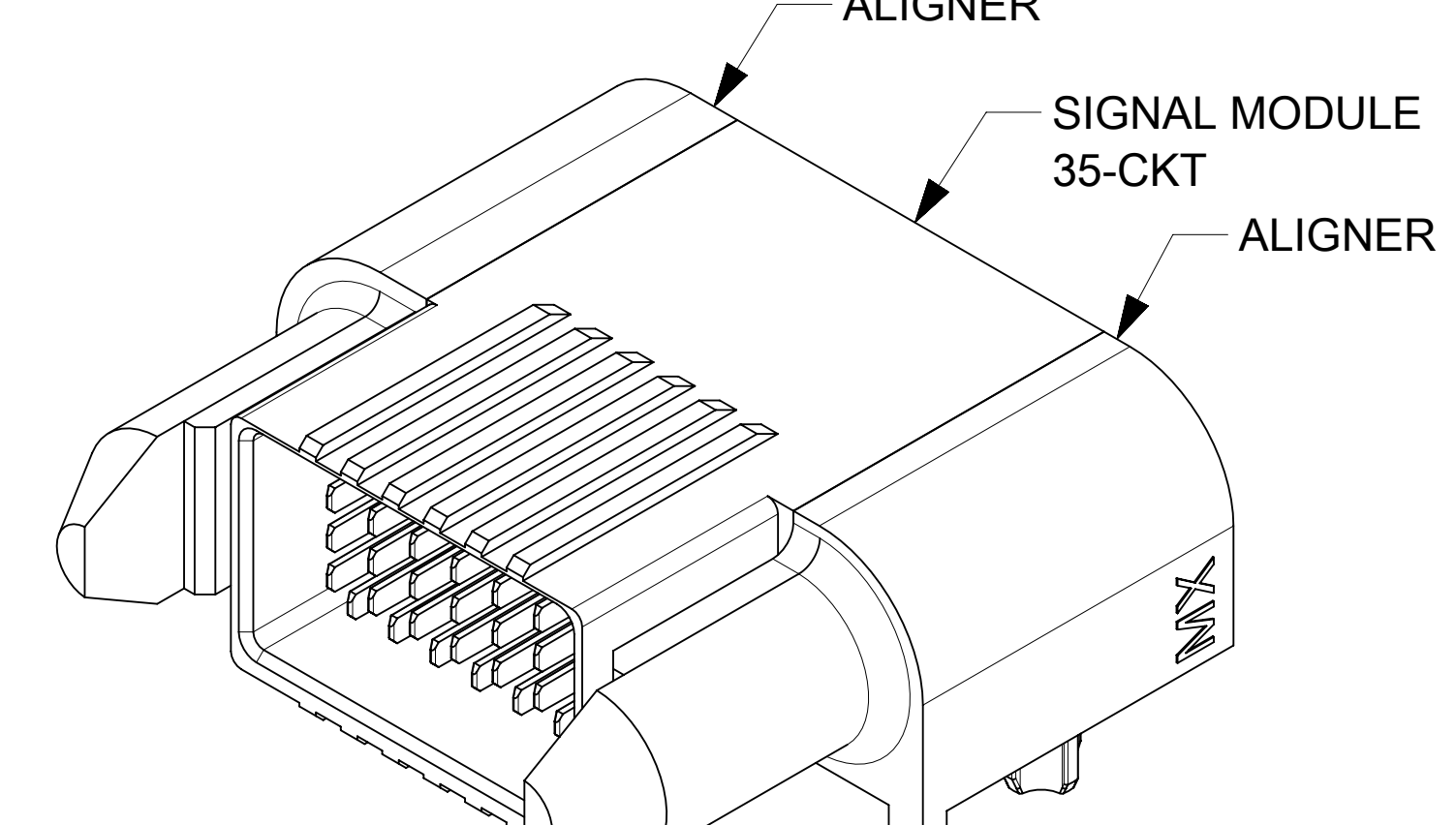
P/N : 46437-3129 (G-20S-G)



P/N : 46437-3130 (G-25S-G)



P/N : 46437-3131 (G-30S-G)



P/N : 46437-3132 (G-35S-G)

THIS DRAWING CONTAINS INFORMATION THAT IS PROPRIETARY TO MOLEX ELECTRONIC TECHNOLOGIES, LLC AND SHOULD NOT BE USED WITHOUT WRITTEN PERMISSION									
DIMENSION UNITS		SCALE		CURRENT REV DESC: INITIAL RELEASE					
mm		4:1		<p><b>molex</b></p> <p>G-*S-G R/A PLUG ASSY - TEN60 POWER FAMILY</p> <p>PRODUCT CUSTOMER DRAWING</p>					
GENERAL TOLERANCES (UNLESS SPECIFIED)									
ANGULAR TOL ± 0.5°									
4 PLACES ±		EC NO: 690238							
3 PLACES ±		DRWN: KSUTAR 2021/12/22							
2 PLACES ± 0.25		CHK'D: GJEEVANSURES 2022/01/04							
1 PLACE ± 0.25		APPR: HTHYAGARAJ 2022/01/17							
0 PLACES ±		INITIAL REVISION:							
DRAFT WHERE APPLICABLE MUST REMAIN WITHIN DIMENSIONS		DRWN: KSUTAR 2021/12/22		2022/01/17		DOCUMENT NUMBER		DOC TYPE   DOC PART   REVISION	
THIRD ANGLE PROJECTION		APPR: HTHYAGARAJ 2022/01/17		464373127		PSD		000   A	
DRAWING		SERIES		MATERIAL NUMBER		CUSTOMER		SHEET NUMBER	
D-SIZE		46437		SEE TABLE		GENERAL MARKET		2 OF 2	