

6

5

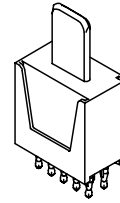
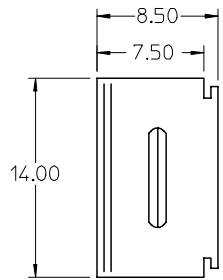
4

3

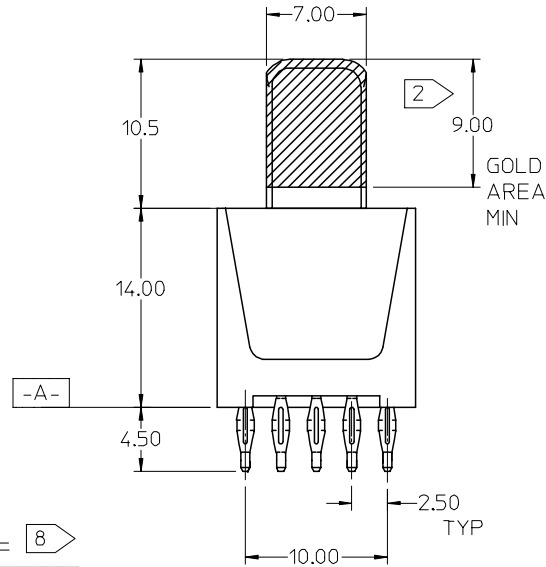
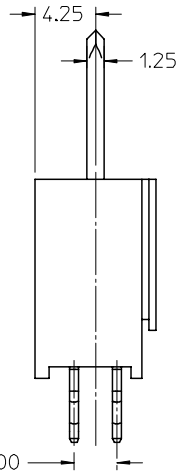
2

1

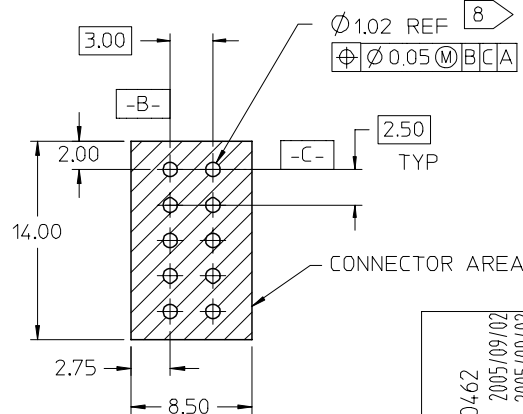
D



C



B



A

PCB LAYOUT: COMPONENT SIDE
PCB THICKNESS: .093/2.36 MIN.

NOTES:

- HOUSING MAT'L: LCP, GLASS FILLED, UL 94V-0, BLACK
CONTACT MAT'L: COPPER ALLOY
- FINISH: SELECT GOLD: 30 MI MIN
SELECT TIN: 150 MI MIN
BOTH OVER NICKEL: 50 MI MIN
GOLD TO BE SPECIFIED THK IN THIS AREA
- PRODUCT SPECIFICATION: PS-45424-001
- PACKAGING SPECIFICATION: PK-45482-001
- THIS MODULE INTERLOCKS WITH ALL STANDARD MOLEX POWER DOCK MODULES.
- DATUM -A- IS THE CONNECTOR MOUNTING SURFACE.
- THE PRIMARY SHIPPING CARTON WILL BE LABELED "COMPLIANT TO RoHS DIRECTIVE 2000/95/EC AND ELV ANNEX II OF DIRECTIVE 2000/53/EC". CARTONS WITHOUT THIS LABEL MAY CONTAIN PRODUCT WITH TIN/LEAD PLATING.
- PC TAILS MAY BE BLUNT CUT TO LENGTH.

D

C

B

A

EC NO: UCP2006-0462 DRWN:KSAMIEC 2005/09/02 CHKD: RELEASED 2005/09/02 APPR:APATEL 2005/09/12	DESCRIPTION	GENERAL TOLERANCES (UNLESS SPECIFIED)		DIMENSION STYLE MM ONLY		SCALE 2:1	DESIGN UNITS METRIC	THIRD ANGLE PROJECTION
		4 PLACES	\pm ---	INCH	\pm ---	DRAWN BY KSAMIEC	DATE 2003/02/20	TITLE POWER DOCK MODULE PLUG 250V VERTICAL 10.5 MATE CPI
		3 PLACES	\pm ---		\pm ---	CHECKED BY MARGUL IS	DATE 2003/02/20	
		2 PLACES	± 0.25		\pm ---	APPROVED BY MARGUL IS	DATE 2003/02/20	MOLEX INCORPORATED
		1 PLACE	± 0.50		\pm ---	MATERIAL NO. 45521-0001	DOCUMENT NO. SD-45521-001	
		ANGULAR $\pm 1/2^\circ$		DRAFT WHERE APPLICABLE MUST REMAIN WITHIN DIMENSIONS		SHEET NO. 1 OF 2		
		SIZE A	THIS DRAWING CONTAINS INFORMATION THAT IS PROPRIETARY TO MOLEX INCORPORATED AND SHOULD NOT BE USED WITHOUT WRITTEN PERMISSION					

5

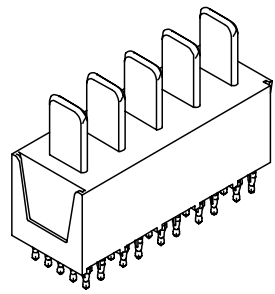
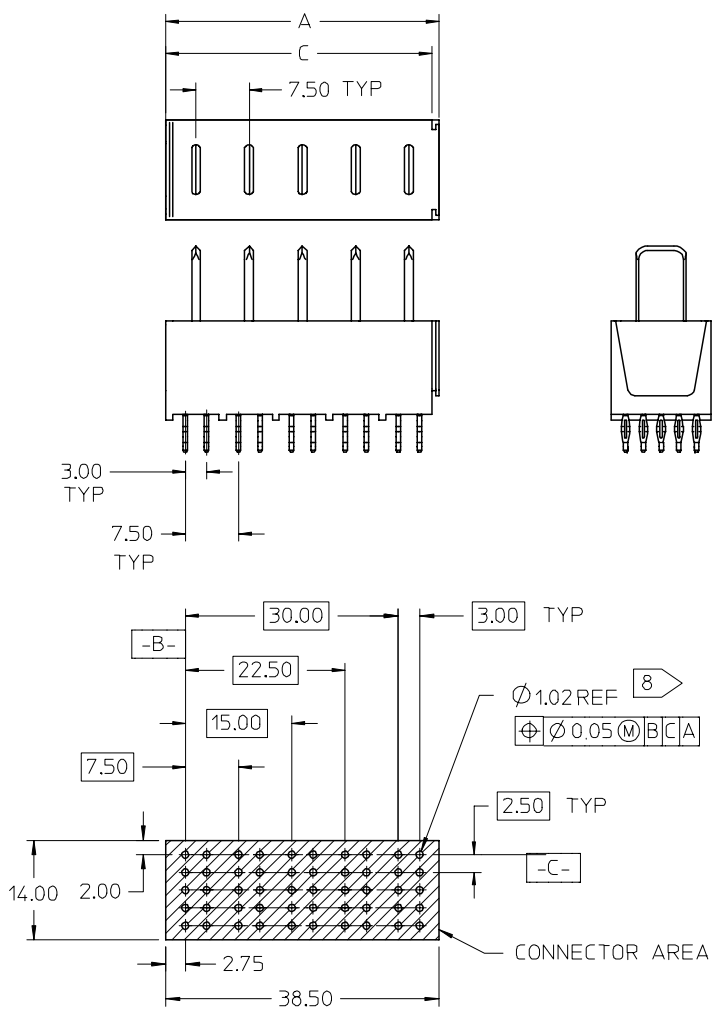
4

3

2

1

CKT	A	C
2	16.00	15.00
3	23.50	22.50
4	31.00	30.00
5	38.50	37.50



PCB LAYOUT: COMPONENT SIDE
PCB THICKNESS: .093/2.36 MIN

CKT	MATERIAL NO
2	45521-2001
3	45521-3001
4	45521-4001
5	45521-5001

EC NO: UCP2006-0462 DRWN:KSAMIEC CHKD: APPR:APATEL 2005/09/02 2005/09/02 2005/09/12 DESCRIPTION REV	GENERAL TOLERANCES (UNLESS SPECIFIED)		DIMENSION STYLE MM ONLY		SCALE 1:1	DESIGN UNITS METRIC	THIRD ANGLE PROJECTION	
		mm	INCH	DRAWN BY KSAMIEC	DATE 2003/02/20	TITLE POWER DOCK MODULE PLUG 250V VERTICAL 10.5 MATE CPI		
	4 PLACES	± ---	± ---	CHECKED BY MARGUL IS	DATE 2003/02/20			
	3 PLACES	± ---	± ---	APPROVED BY MARGUL IS	DATE 2003/02/20	MOLEX INCORPORATED		
	2 PLACES	± 0.25	± ---	DOCUMENT NO. SD-45521-001				
1 PLACE	± 0.50	± ---	DRAFT WHERE APPLICABLE MUST REMAIN WITHIN DIMENSIONS		THIS DRAWING CONTAINS INFORMATION THAT IS PROPRIETARY TO MOLEX INCORPORATED AND SHOULD NOT BE USED WITHOUT WRITTEN PERMISSION			