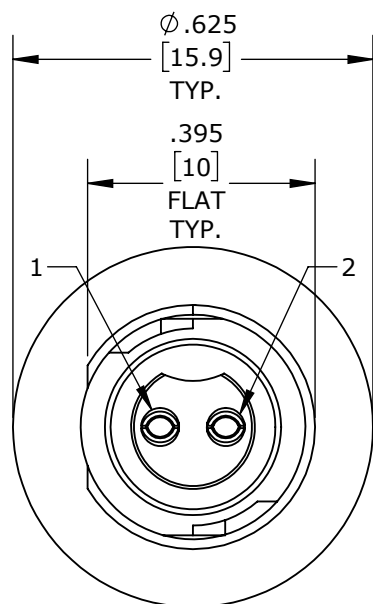


MFG. ENG.	APPROVED BY:	DATE:	QA	APPROVED BY:	DATE:
-----------	--------------	-------	----	--------------	-------

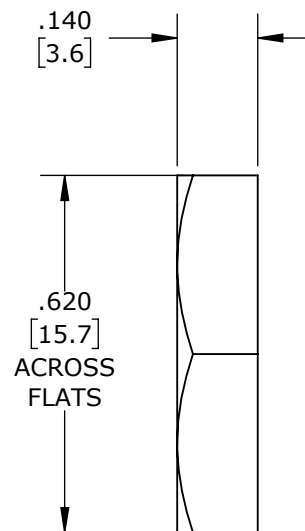
PART NO.	NO. OF PINS
W17281-2SG-P-300	2
W17281-3SG-P-300	3

NOTES:

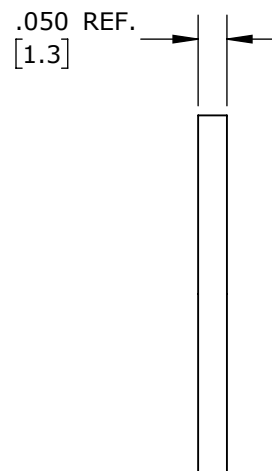
1. ALL PARTS ARE BULK PACKED.
2. REFER TO DRAWING HPMCSTD FOR CONTACT PATTERNS.
3. ALL DIMENSIONS ARE REFERENCE ONLY IN INCHES [mm], WITHIN ±0.015 UNLESS OTHERWISE NOTED.



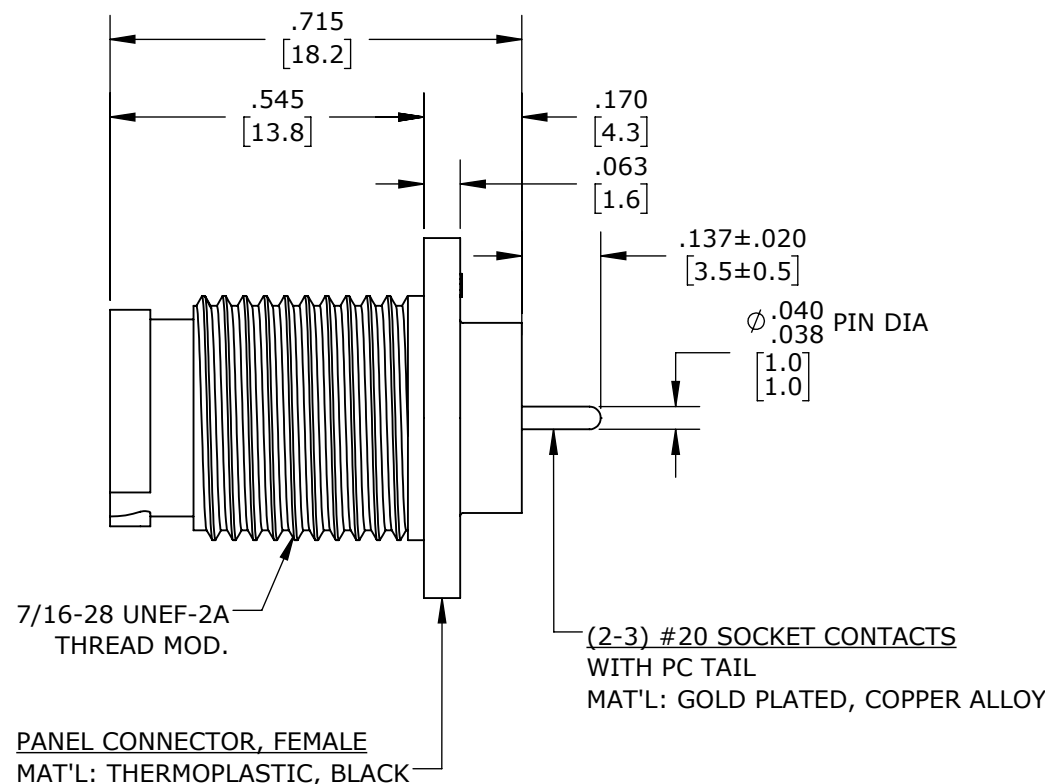
FACE VIEW
W17281-2SG-P-300



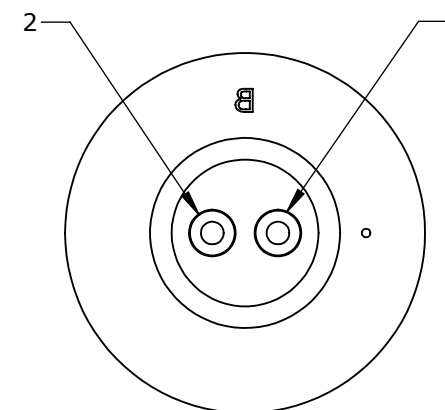
5/8 IN. HEX NUT
MAT'L: THERMOPLASTIC, BLACK



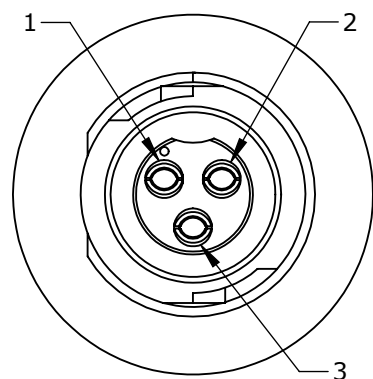
GASKET
MAT'L: ELASTOMER, BLACK



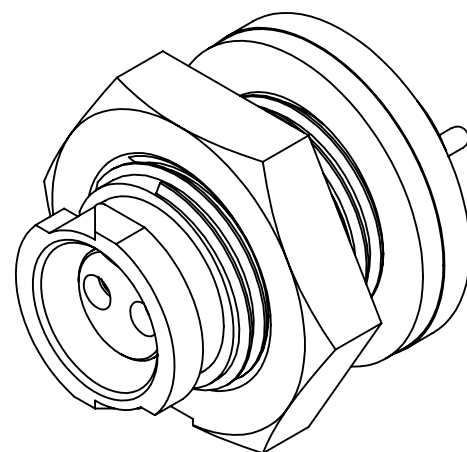
PANEL CONNECTOR, FEMALE
MAT'L: THERMOPLASTIC, BLACK



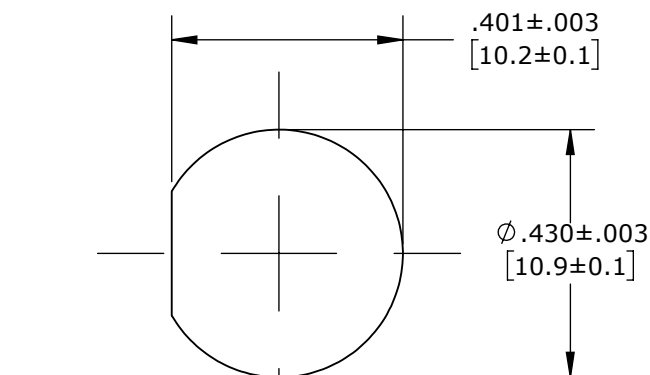
WIRE VIEW
W17281-2SG-P-300



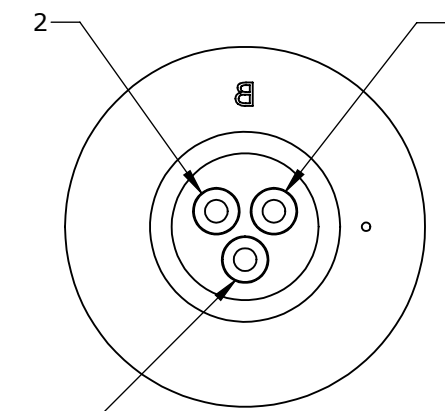
FACE VIEW
W17281-3SG-P-300



ASSEMBLED VIEW
FOR CUSTOMER REF. ONLY



RECOMMENDED PANEL CUTOUT



WIRE VIEW
W17281-3SG-P-300

CUSTOMER APPROVAL

THIS DOCUMENT CONTAINS CONFIDENTIAL INFORMATION PROPRIETARY TO CONXALL CORPORATION. ANY REPRODUCTION, DISCLOSURE, OR USE OF THIS DOCUMENT /INFORMATION IS EXPRESSLY PROHIBITED UNLESS AUTHORIZED IN WRITING BY CONXALL CORPORATION.

APPROVED BY: _____
DATE: _____

RoHS COMPLIANT

PRELIMINARY

DIMENSIONS IS BRACKETS [] ARE METRIC

0A	JGK	8/13/19	DRAWING CREATED FOR PDR #18004.		
REV.	INIT.	DATE	DESCRIPTION		
	JGK	8/13/19	ALL INFORMATION ILLUSTRATED IS THE PROPERTY OF CONXALL CORPORATION. UNAUTHORIZED DUPLICATION OR DISTRIBUTION OF THIS DOCUMENT IS PROHIBITED.		
APPROVED BY:			TITLE: PANEL MOUNT ASSEMBLY (2-3) #20 SOCKET CONTACTS, PC TAIL INSTA-CLICK, MICRO-CON-X STANDARD PRODUCT		
SCALE	SIZE	SHEET	CUSTOMER:		
NTS	B	1 OF 1	W17281-XSG-P-300		
FILE:	DIRECTORY:	PART NUMBER:	REV		
W17281-XSG-P-300	SLW	W17281-XSG-P-300	0A		



601 E. WILDWOOD VILLA PARK, IL 60181