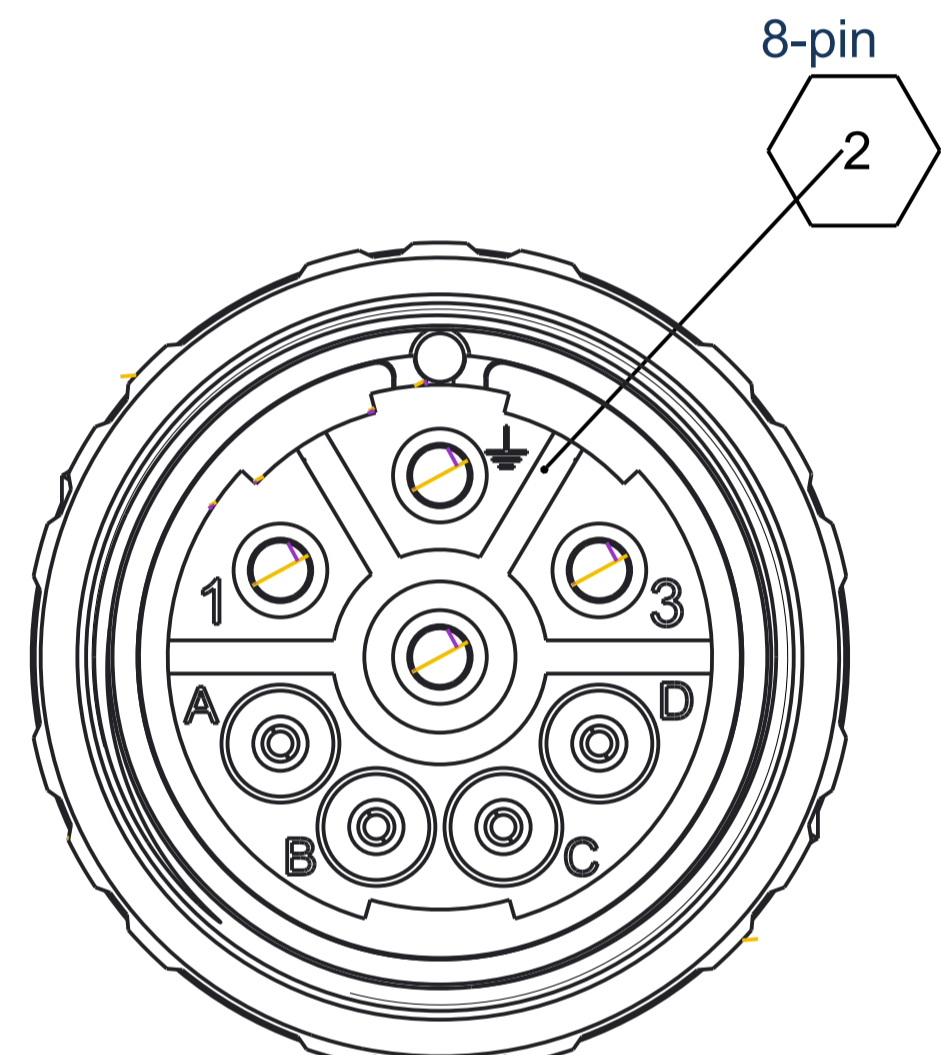
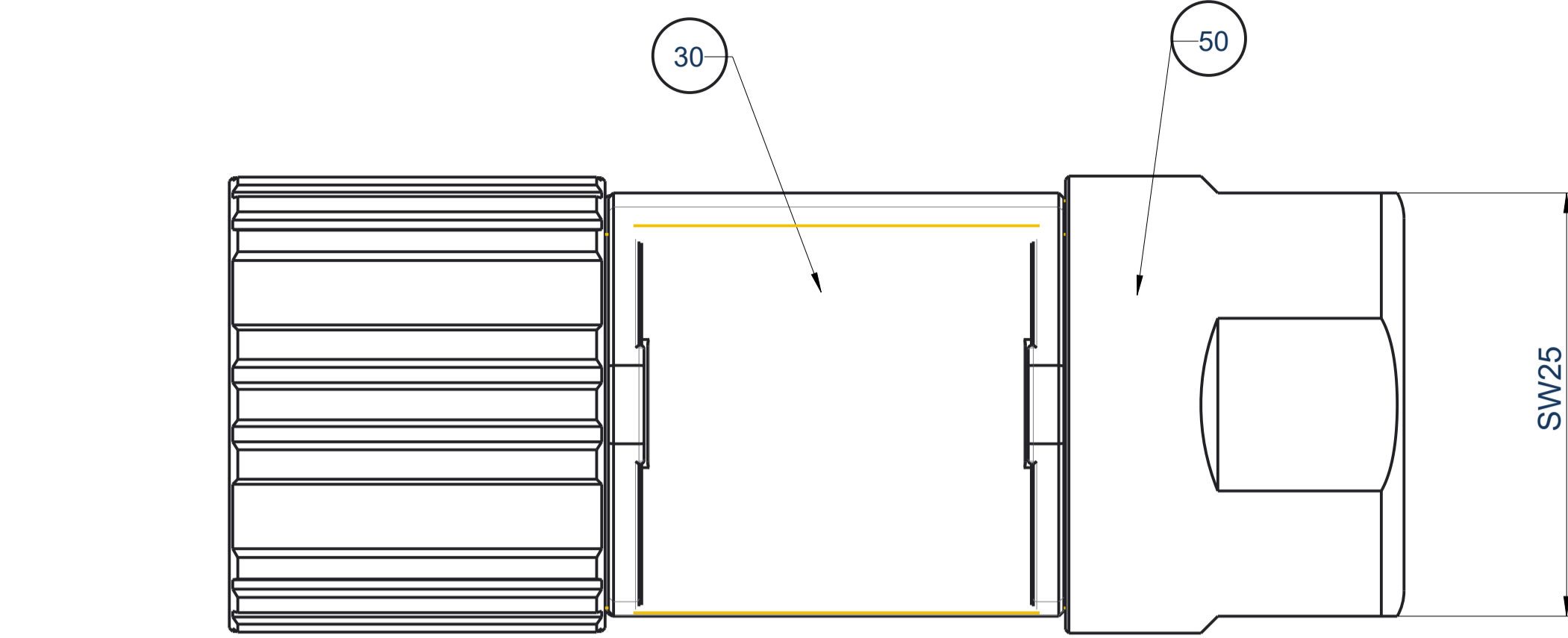


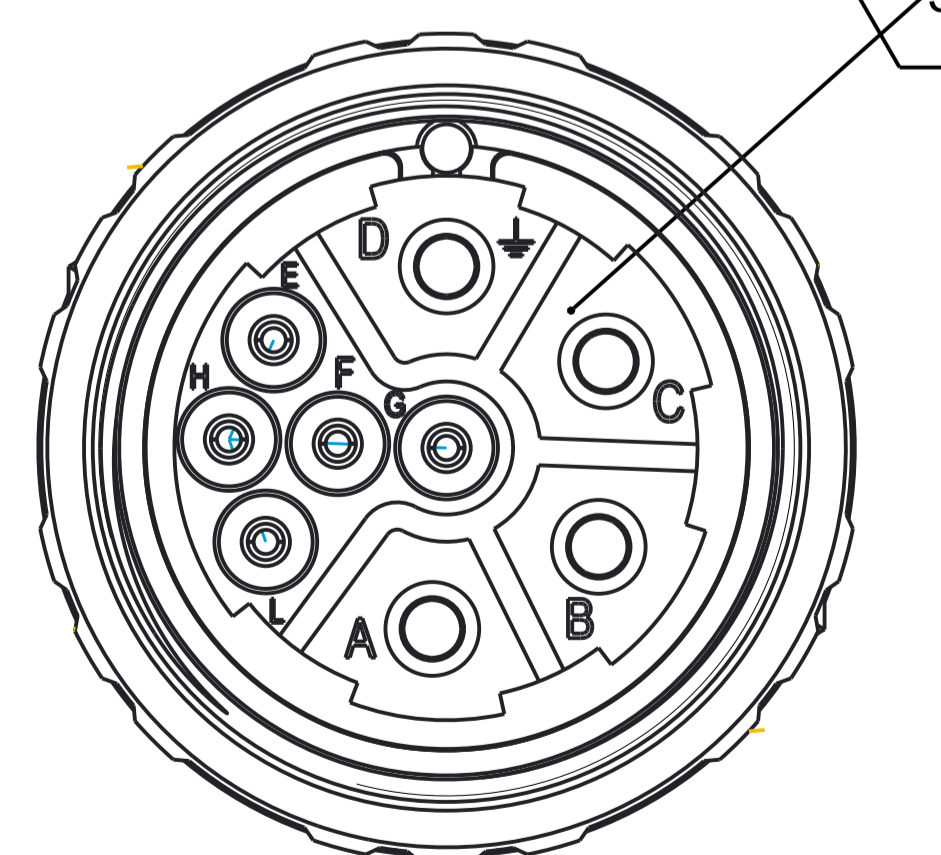
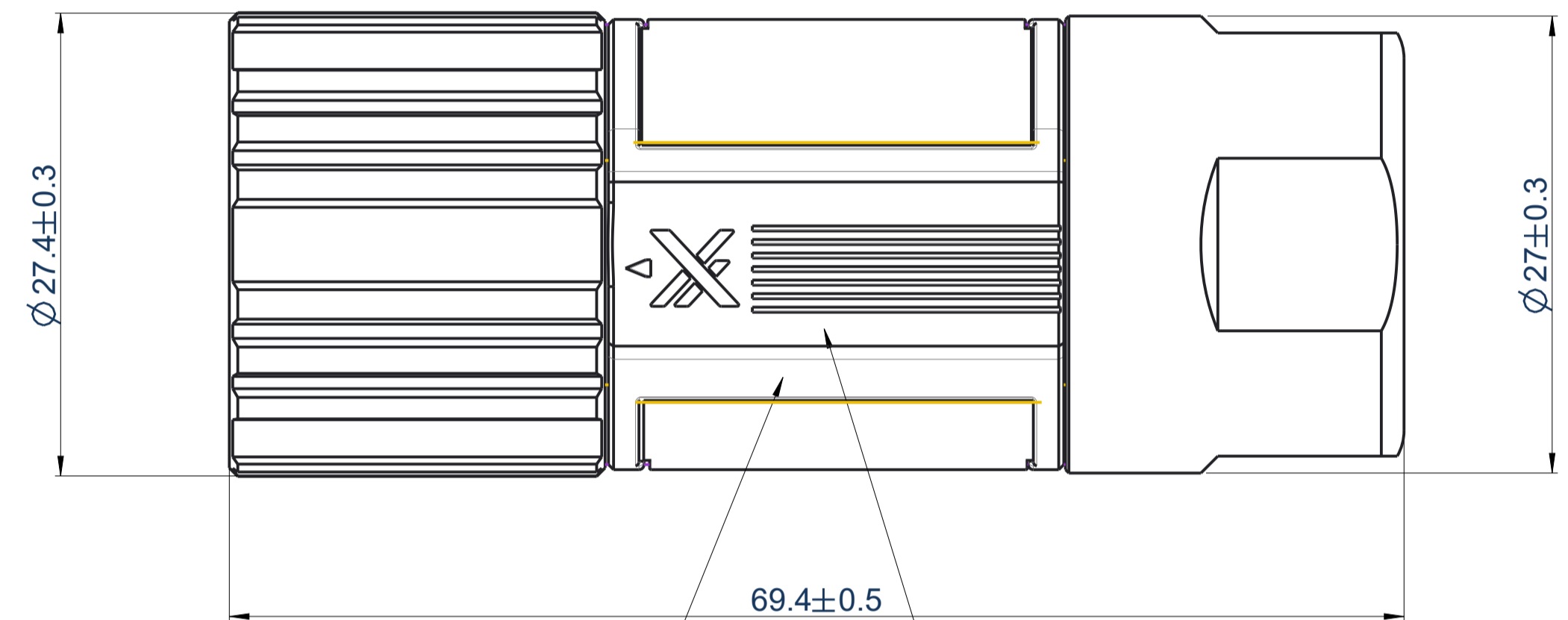
6-pin

1



8-pin

2



9-pin

3

3

9-pole connector, threaded version	
Part number	Clamping range
B1AF0209AFRAB101	3.5 mm to 5 mm
B1AF0309AFRAB101	4.5 mm to 7.5 mm
B1AF2409AFRAB101	6.5 mm to 10 mm
B1AF2509AFRAB101	9.0 mm to 12.5 mm
B1AF2609AFRAB101	12 mm to 15 mm
B1AF2709AFRAB101	14.5 mm to 16.7 mm

9-pole connector, Snap-X version	
Part number	Clamping range
B1AH0209AFRAB101	3.5 mm to 5 mm
B1AH0309AFRAB101	4.5 mm to 7.5 mm
B1AH2409AFRAB101	6.5 mm to 10 mm
B1AH2509AFRAB101	9.0 mm to 12.5 mm
B1AH2609AFRAB101	12 mm to 15 mm
B1AH2709AFRAB101	14.5 mm to 16.7 mm

surface
 ≅ Cu 10-12 Ni 4 - 6 mt

Part list				
ITEM	QTY	discription	material	surface/color
50	1	M23 clamp ring	ZnAl4Cu1	No
40	1	M23 Cable Clamp (inside)	PA 66/6 FKM	black black/green
30	2	M23 Wings	Grillon TS V0	black
20	1	M23 insulation insert (inside)	PA 66	black
10	1	M23 plug housing	ZnAl4Cu1	1

4 Contact Code

NNNN : without contacts

1

6-pole connector, threaded version	
Part number	Clamping range
B1AF0206ANNNN100	3.5 mm to 5 mm
B1AF0306ANNNN100	4.5 mm to 7.5 mm
B1AF2406ANNNN100	6.5 mm to 10 mm
B1AF2506ANNNN100	9.0 mm to 12.5 mm
B1AF2606ANNNN100	12 mm to 15 mm
B1AF2706ANNNN100	14.5 mm to 16.7 mm

6-pole connector, Snap-X version	
Part number	Clamping range
B1AH0206ANNNN100	3.5 mm to 5 mm
B1AH0306ANNNN100	4.5 mm to 7.5 mm
B1AH2406ANNNN100	6.5 mm to 10 mm
B1AH2506ANNNN100	9.0 mm to 12.5 mm
B1AH2606ANNNN100	12 mm to 15 mm
B1AH2706ANNNN100	14.5 mm to 16.7 mm

2

8-pole connector, threaded version	
Part number	Clamping range
B1AF0208ANNNN100	3.5 mm to 5 mm
B1AF0308ANNNN100	4.5 mm to 7.5 mm
B1AF2408ANNNN100	6.5 mm to 10 mm
B1AF2508ANNNN100	9.0 mm to 12.5 mm
B1AF2608ANNNN100	12 mm to 15 mm
B1AF2708ANNNN100	14.5 mm to 16.7 mm

8-pole connector, Snap-X version	
Part number	Clamping range
B1AH0208ANNNN100	3.5 mm to 5 mm
B1AH0308ANNNN100	4.5 mm to 7.5 mm
B1AH2408ANNNN100	6.5 mm to 10 mm
B1AH2508ANNNN100	9.0 mm to 12.5 mm
B1AH2608ANNNN100	12 mm to 15 mm
B1AH2708ANNNN100	14.5 mm to 16.7 mm

3

9-pole connector, threaded version	
Part number	Clamping range
B1AF0209ANNNN100	3.5 mm to 5 mm
B1AF0309ANNNN100	4.5 mm to 7.5 mm
B1AF2409ANNNN100	6.5 mm to 10 mm
B1AF2509ANNNN100	9.0 mm to 12.5 mm
B1AF2609ANNNN100	12 mm to 15 mm
B1AF2709ANNNN100	14.5 mm to 16.7 mm

9-pole connector, Snap-X version	
Part number	Clamping range
B1AH0209ANNNN100	3.5 mm to 5 mm
B1AH0309ANNNN100	4.5 mm to 7.5 mm
B1AH2409ANNNN100	6.5 mm to 10 mm
B1AH2509ANNNN100	9.0 mm to 12.5 mm
B1AH2609ANNNN100	12 mm to 15 mm
B1AH2709ANNNN100	14.5 mm to 16.7 mm

FRAA : with contact

1

6-pole connector, threaded version	
Part number	Clamping range
B1AF0206AFRAA101	3.5 mm to 5 mm
B1AF0306AFRAA101	4.5 mm to 7.5 mm
B1AF2406AFRAA101	6.5 mm to 10 mm
B1AF2506AFRAA101	9.0 mm to 12.5 mm
B1AF2606AFRAA101	12 mm to 15 mm
B1AF2706AFRAA101	14.5 mm to 16.7 mm

6-pole connector, Snap-X version	
Part number	Clamping range
B1AH0206AFRAA101	3.5 mm to 5 mm
B1AH0306AFRAA101	4.5 mm to 7.5 mm
B1AH2406AFRAA101	6.5 mm to 10 mm
B1AH2506AFRAA101	9.0 mm to 12.5 mm
B1AH2606AFRAA101	12 mm to 15 mm
B1AH2706AFRAA101	14.5 mm to 16.7 mm

2

8-pole connector, Threaded version	
Part number	Clamping range
B1AF0208AFRAB101	3.5 mm to 5 mm
B1AF0308AFRAB101	4.5 mm to 7.5 mm
B1AF2408AFRAB101	6.5 mm to 10 mm
B1AF2508AFRAB101	9.0 mm to 12.5 mm
B1AF2608AFRAB101	12 mm to 15 mm
B1AF2708AFRAB101	14.5 mm to 16.7 mm

8-pole connector, Snap-X version	
Part number	Clamping range
B1AH0208AFRAB101	3.5 mm to 5 mm
B1AH0308AFRAB101	4.5 mm to 7.5 mm
B1AH2408AFRAB101	6.5 mm to 10 mm
B1AH2508AFRAB101	9.0 mm to 12.5 mm
B1AH2608AFRAB101	12 mm to 15 mm
B1AH2708AFRAB101	14.5 mm to 16.7 mm

ISO 16016 Take care of guard coment!
 Part must be confirm to Icotronix standard IX-0001

TK USA

IN WORK **22-101-009-001** **0**

Part Number: See list

1,5:1

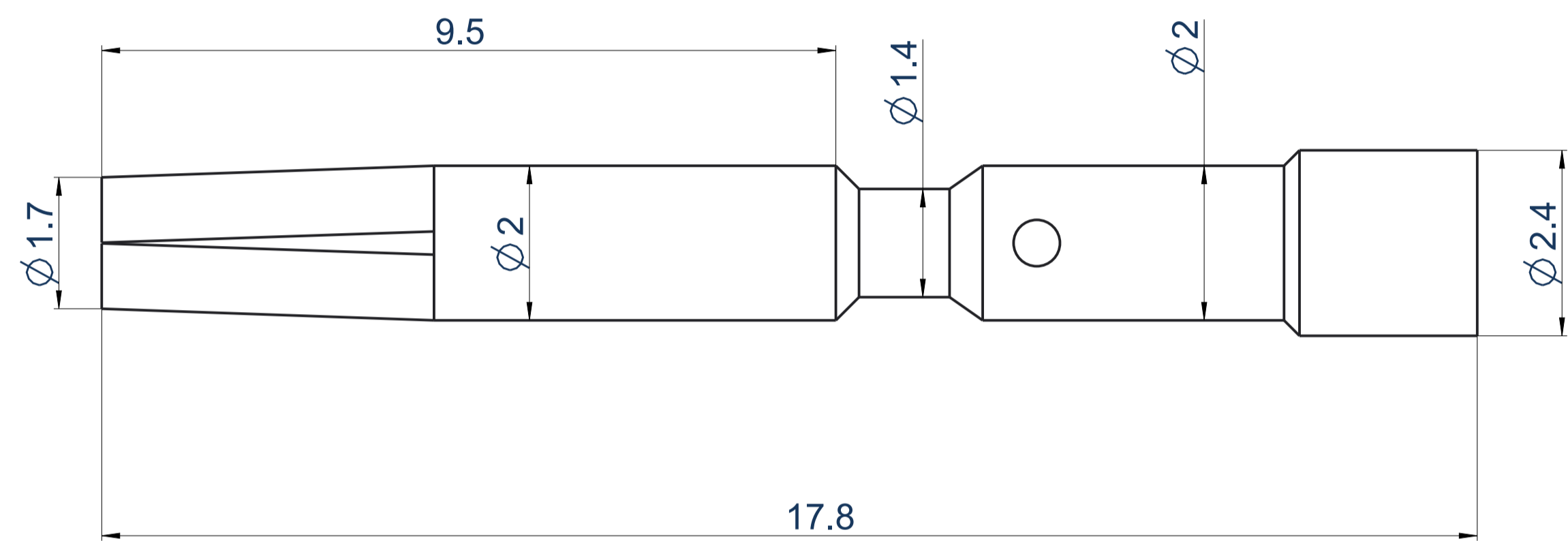
Description: M23 plug, 6-8-9-pin

All dimensions without units in mm

icotronix

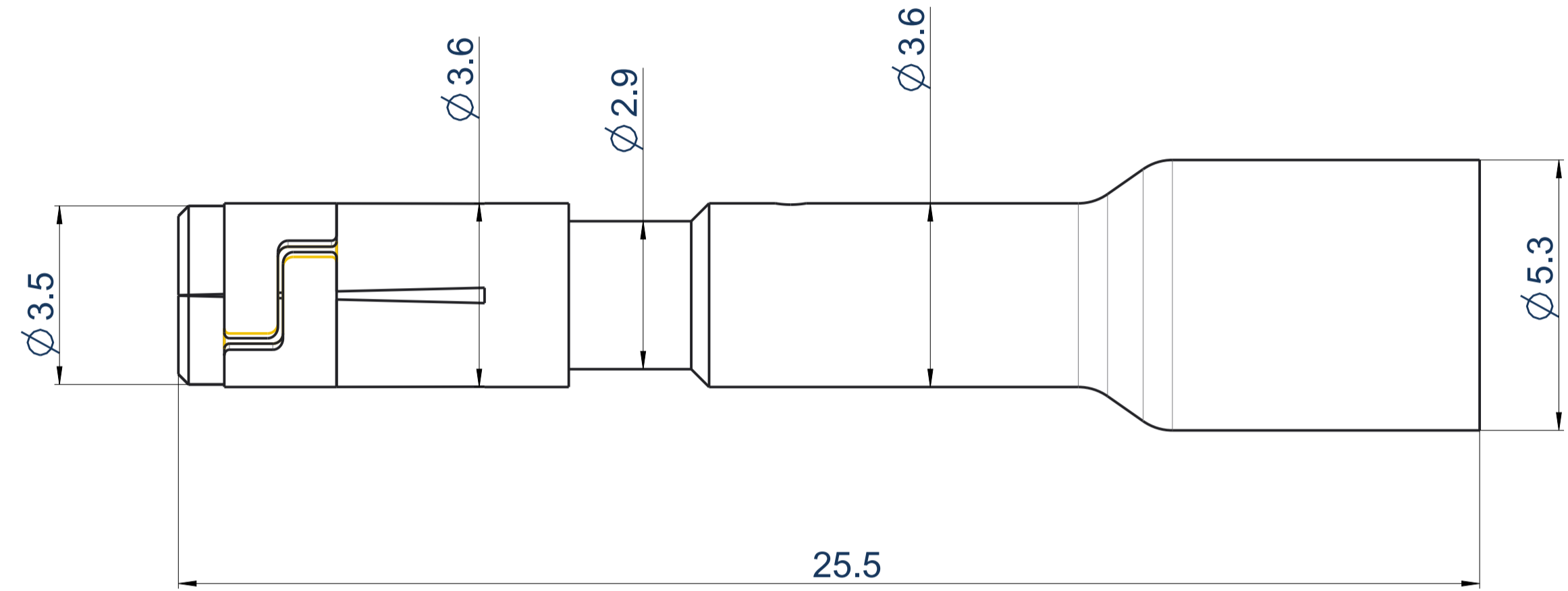
RoHS

Signal contact type: 1 mm



Crimping range
0.14 - 1.0 mm²

Power contact type: 2mm



Crimping range
0.35 - 2.5 mm²

4

Contact Code

Contact code for 6 pin

contact code	part number	contact type	QTY	crimping range
NNNN				
FRAA	54-000002-01-22	2 mm	3	0.35 mm ² to 2,5 mm ²
MRAA	03-000002-01-22	2 mm	3	0.35 mm ² to 2,5 mm ²

Contact code for 8 pin

contact code	part number	contact type	QTY	crimping range
NNNN	-	-	0	-
FRAB	04-000002-01-22	2 mm	4	0.35 mm ² to 2.5 mm ²
	04-000001-01-22	1 mm	4	0.14 mm ² to 1 mm ²
MRAB	03-000002-01-22	2 mm	4	0.35 mm ² to 2.5 mm ²
	03-000001-01-22	1 mm	4	0.14 mm ² to 1 mm ²

Contact code for 9 pin


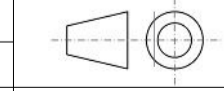
contact code	part number	contact type	QTY	crimping range
NNNN	-	-	0	-
FRAB	04-000002-01-22	2 mm	5	0.35 mm ² to 2.5 mm ²
	04-000001-01-22	1 mm	4	0.14 mm ² to 1 mm ²
MRAB	03-000002-01-22	2 mm	5	0.35 mm ² to 2.5 mm ²
	03-000001-01-22	1 mm	4	0.14 mm ² to 1 mm ²

SURFACE	172.051	mm ²
VOLUMEN	35.472	mm ³
MASS	0.298	g

NOTE

FRAA :- Female Contact
FRAB :- Female Contact

MRAA :- Male Contact
MRAB :- Male Contact

ISO 16016 Take care of guard coment! Part must be confirm to Icotronix standard IX-0001		RELEASED	22-101-009-001	0						
		1,5:1	Part Number							
			See list							
<table border="1"> <tr> <td>Drawn_by</td> <td>15.07.22 / Sunny</td> </tr> <tr> <td>Checked_by</td> <td>15.07.22 / Sunny</td> </tr> <tr> <td>Approved_by</td> <td></td> </tr> </table>		Drawn_by	15.07.22 / Sunny	Checked_by	15.07.22 / Sunny	Approved_by			Description	
Drawn_by	15.07.22 / Sunny									
Checked_by	15.07.22 / Sunny									
Approved_by										
M23 plug, 6-8-9 -pin										
All dimensions without units in mm										