

ERS. Safety adjustable handles

Push action, technopolymer

INCH

RoHS

PA

+266 °F
-22 °F

- 1
- 2
- 3
- 4
- 5
- 6
- 7
- 8
- 9
- 10
- 11
- 12
- 13
- 14
- 15
- 16
- 17
- 18

LEVER BODY

Glass-fibre reinforced polyamide based (PA) technopolymer, grey-black colour, matte finish. Red writing "PUSH" tampoprinted on the lever body (avoid contact with solvents, alcohol or detergents containing alcohol).

STANDARD EXECUTIONS

Glass-fibre reinforced technopolymer clamping element, black colour, with knurling on the protruding part to make initial tightening easier. Screw, AISI 302 stainless steel return spring.

STRESS RESISTANCE

See ERX. on page 324.

INSTRUCTIONS OF USE

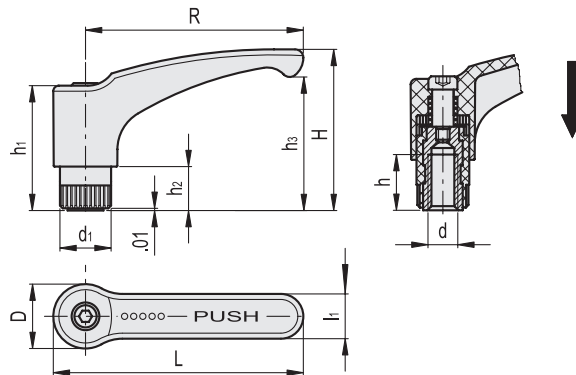
For clamping, push the lever to engage the clamping device tooting and turn it. By releasing the lever, the return spring automatically disengages the tooting and the lever returns to its rest position. In case of accidental shocks, the lever turns freely without affecting the clamping action.

OTHER EXECUTIONS ON REQUEST

Standard metric holes.



ERGOSTYLE® ELESA Original design



Clamping levers

INCH

Code	Description	R	d	L	D	H	h	h1	h2	h3	d1	l1	Teeth nr	△
90236904	ERS.44 A-1/4-20	1.73	1/4-20	2.05	0.61	1.42	0.39	1.14	0.35	1.1	0.47	0.43	18	0.03
90236914	ERS.63 A-5/16-18	2.48	5/16-18	2.89	0.75	1.89	0.51	1.46	0.47	1.46	0.59	0.53	20	0.06