

B.4: Validité

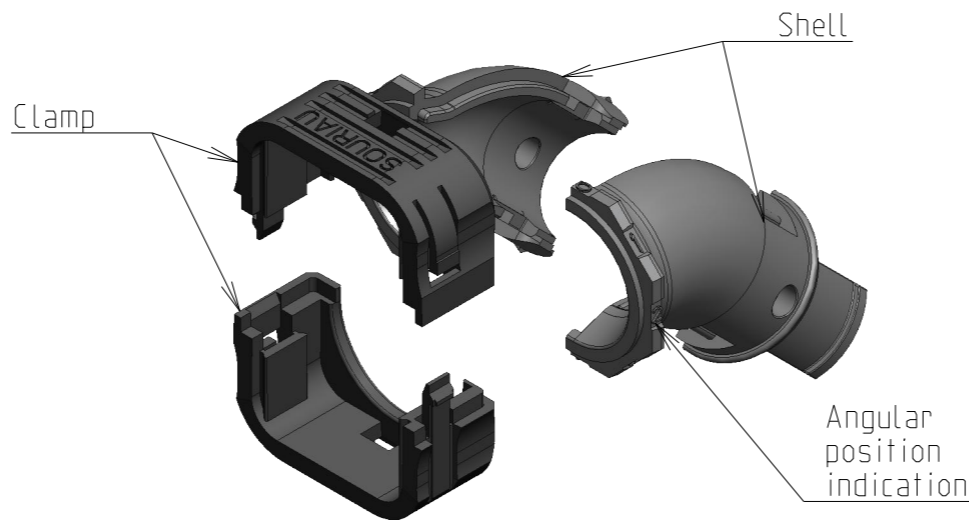
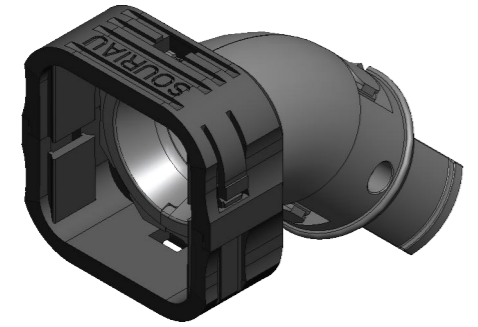
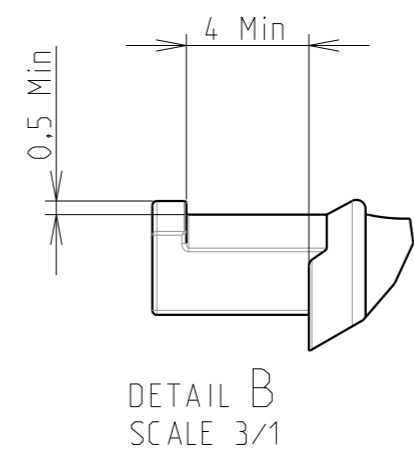
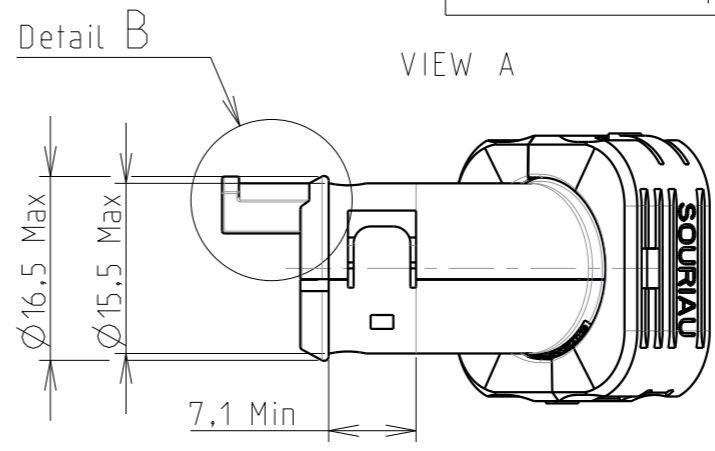
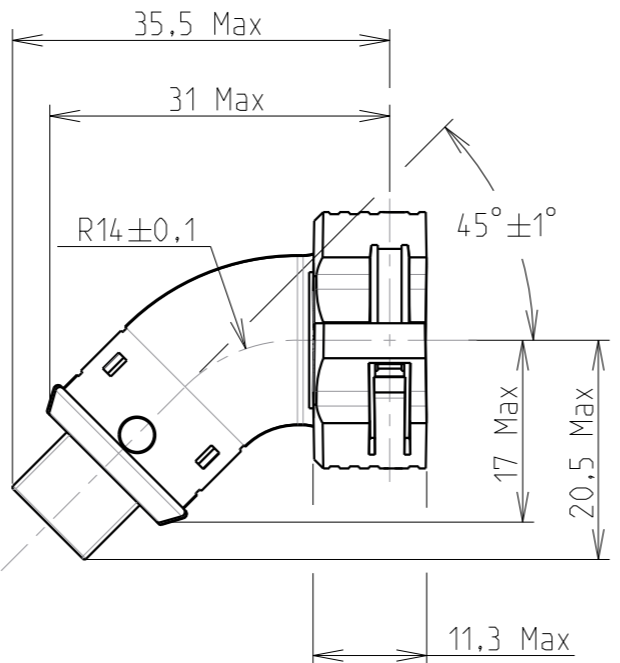
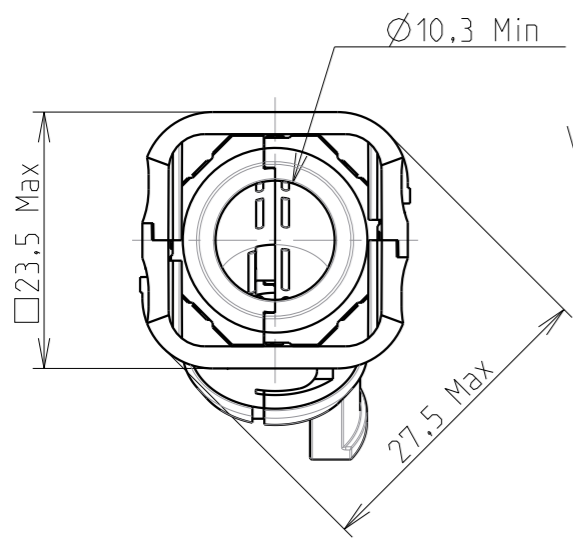
SOURIAU shall not be liable for any non-conformity or damage due to a use of the Products which does not comply with the Specifications issued by either of the Parties or by a third party (professional recommendation, technical notice.)

MASS ± 5% 5,7 g

Technical requirements

- Material & finishes :
shell : Composite nickel plated
clamp : Composite
- Electrical :
Housing (shell) electrical continuity
Between backshell and plug :
< 3mΩ
- Climatic :
Operating temperature range :
-55°C to +175°C
Salt spray (corrosion) : 500 hrs
- Mechanical :
Compliant EN4165
- Environmental :
RoHS and REACH compliant
Fluid resistance : See standard
EN 4165-001 (table 40)

4
3
2
1

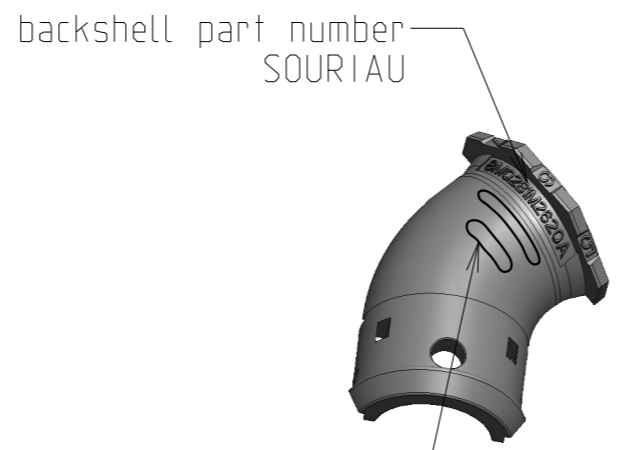


EN4165 PART NUMBER TABLE				
BASIC SERIE	EN4165-026	M	20	A
M : Composite nickel plated				
20 : Backshell with angle of 45°				
A : With cable tie device				

Country	Jurisdiction & Control List
FR	NOT LISTED

P/N : 8MQ2B1M26-20A

SOURIAU PART NUMBER TABLE									
BASIC SERIE	8MQ	2	B	1	M	26	20	A	
2 : Serie 2									
B : Backshell									
1 : Mono module									
M : Composite nickel plated									
26 : According EN4165-026									
20 : Backshell with angle of 45°									
A : With cable tie device									



B	08/07/19	drawing update for EN4165 creation backshell Add marking and codification EN4165 version		24230AC
ISS	DATE	Latest modification - by: E.FOREST		MOD N°
Designed by: N.AUFFRET		Date:21/09/16		CUSTOMER DRAWING
TITLE		BACKSHELL WITH ANGLE OF 45° BASIC SERIE 8MQ - Based on EN4165/BACC65BV/ARINC 809		
Scale	3/2	General Linear Tolerances: ± --	NPRDS / PROJECT BE133702A	
		WWW.SOURIAU.COM		This document is the property of SOURIAU It must not be reproduced or communicated without permission
FORMAT	SOURIAU DRG N° C006-8MQ-A			SHEET 1 / 1

4
3
2