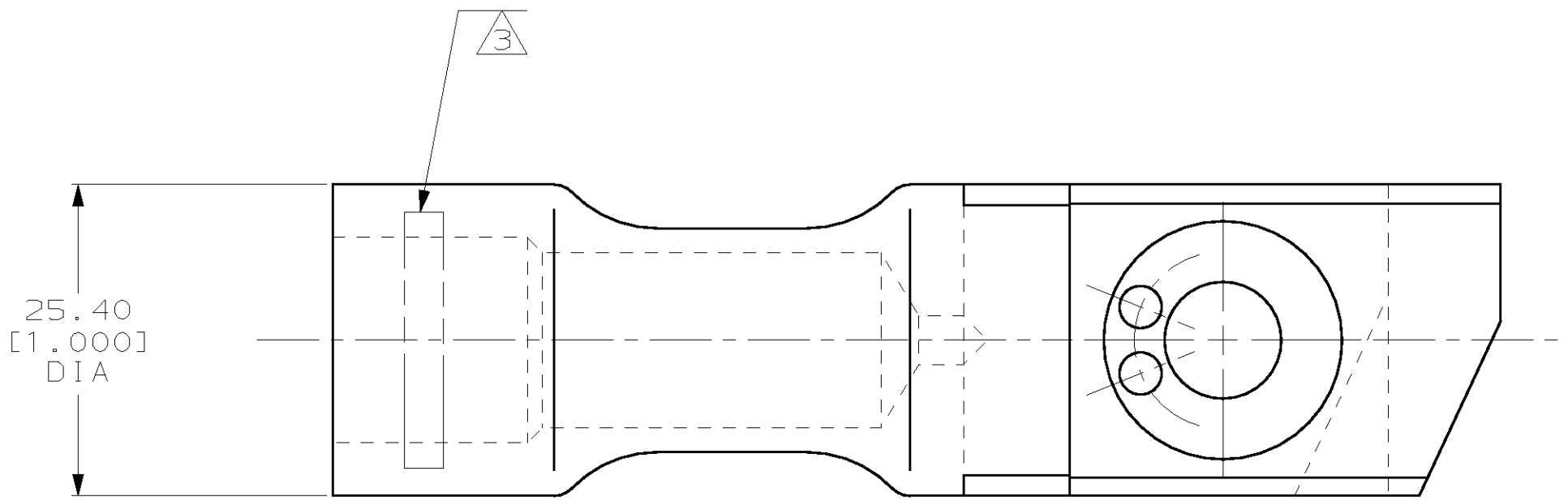
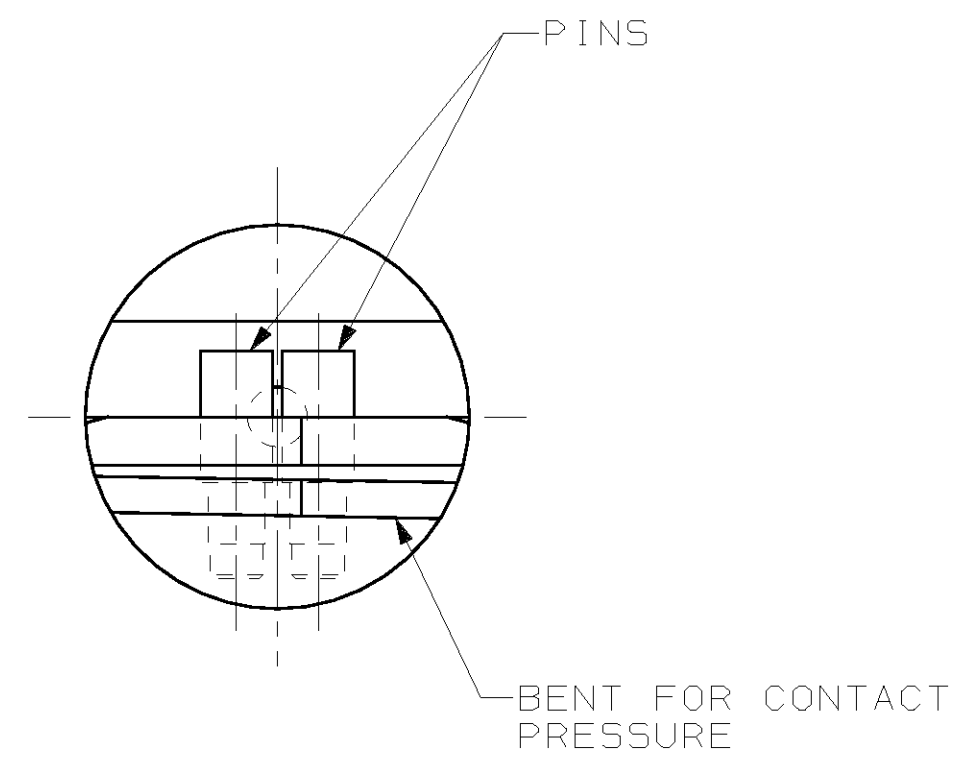
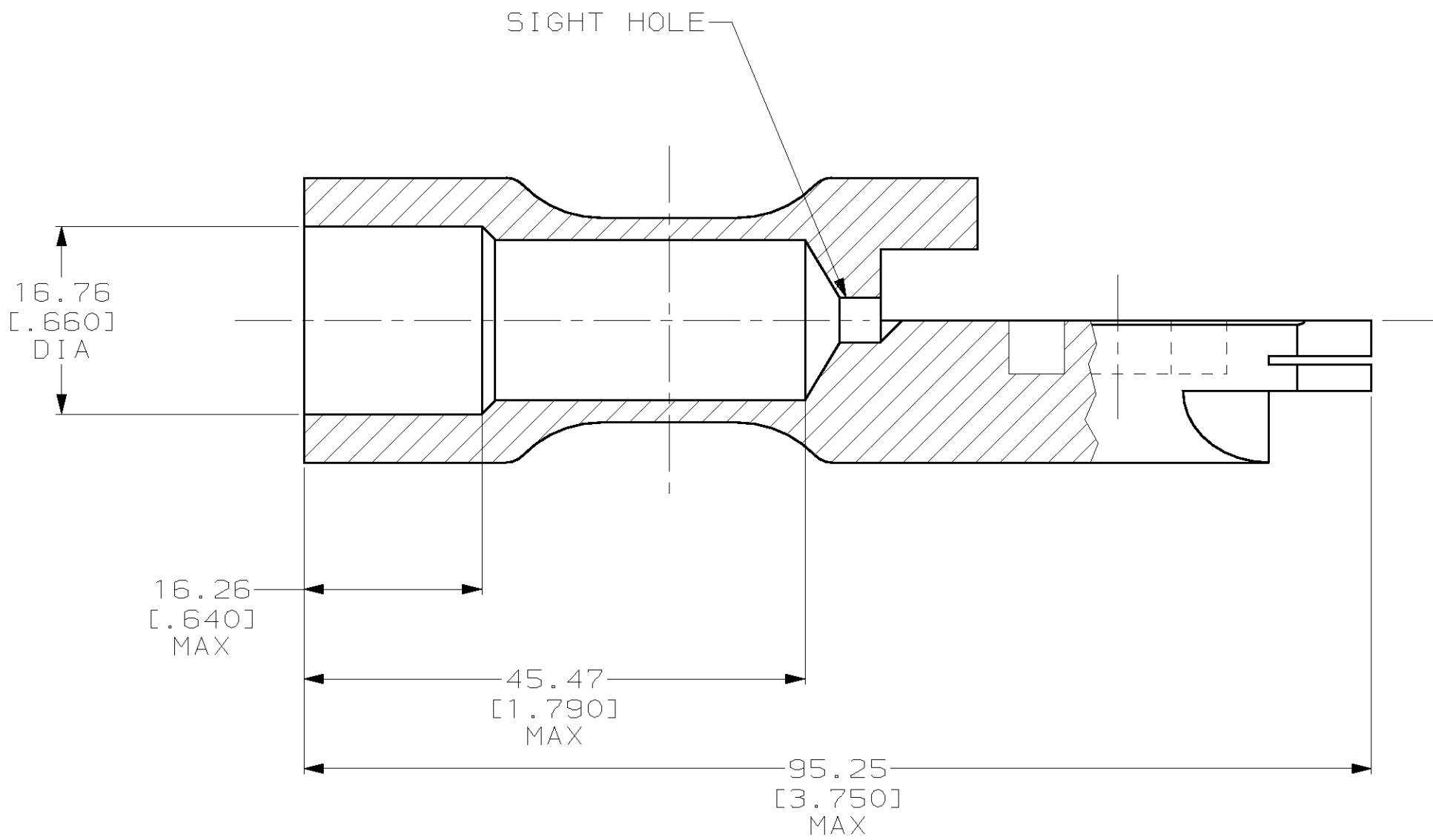


THIS DRAWING IS UNPUBLISHED. RELEASED FOR PUBLICATION
 BY AMP INCORPORATED. ALL RIGHTS RESERVED.

LOC		DIST		REVISIONS			
P	LTR	DESCRIPTION	DATE	DWN	APVD		
G	86	0	RELEASED PER PR 97-151	26JAN98	DKS	SJU	



- 1 BODY AND PINS: BRASS PER QQ-B-626
- 2 SILVER PL 0.00762[.000300] MIN THK PER QQ-S-365
- 3 STAMP AEG 7077D80G17 2/O A33 LOCATED IN AREA APPROX AS SHOWN



696037-1
AMP
PART NUMBER

THIS DRAWING IS A CONTROLLED DOCUMENT.		DWN	DK SCHRUM	23JAN98	AMP Incorporated Harrisburg, PA 17105-3608	
DIMENSIONS:		CHK	SJ UNGER	26JAN98		
mm [INCHES]		APVD	TJ MICHELUTTI	26JAN98		
TOLERANCES UNLESS OTHERWISE SPECIFIED: 0 PLC ±- 1 PLC ±- 2 PLC ±0.20(.008) 3 PLC ±- 4 PLC ±- ANGLES ±-		NAME	TERMINAL ASSY, QUICK-DISCONNECT, AMPOWER™, WIRE SIZE: 2/O AWG			
MATERIAL		PRODUCT SPEC	108-13014		SIZE	A2
FINISH		APPLICATION SPEC	-		CAGE CODE	00779
1		WEIGHT	-		DRAWING NO	696037
2		CUSTOMER DRAWING	SCALE 2:1		SHEET	1 OF 1
					REV	0

696037