

# Kontaktstift ø8 mm

**Einsatzbereich: - 923, 1-polig  
crimp 35 mm<sup>2</sup>**

**TE Teile Nr.: 61-0161-023-000  
IC Ref. Nr.: 61.161.23**

## Elektrische Werte

Bemessungsstrom 160 A\*  
Durchgangswiderstand < 110 µOhm

## Werkstoff

Kontakt Messing, versilbert

## Anschluss

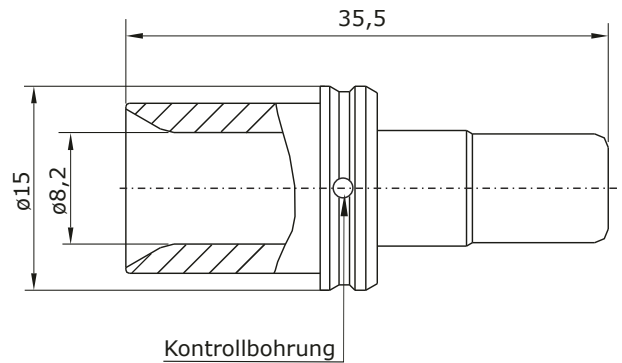
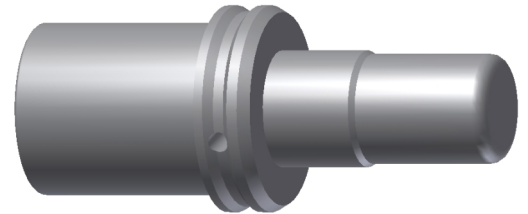
Anschlussart/-bereich Crimp/ 35 mm<sup>2</sup>  
max. Litzenaußendurchmesser ø15 mm  
Abisolierlänge 18 mm  
Crimpeinstellungen sind individuell zu wählen

## Mechanische Werte

Steckzyklen 500

## Werkzeuge (nicht im Lieferumfang enthalten)

Crimpzangen-Set im Koffer, TE Teile Nr.: C0-0207-000-000  
komplett mit Crimpeinsätzen IC Ref. Nr.: C0.207.00



## Hauptabmessungen

Kontaktstift





# Contact Pin $\varnothing 8$ mm

for: - 923, 1-pin  
crimp 35 mm<sup>2</sup>

TE part number: 61-0161-023-000  
IC reference number: 61.161.23

### Electrical Data

rated current 160 A\*  
contact resistance < 110  $\mu$ Ohm

### Material

contact brass, silver plated

### Termination

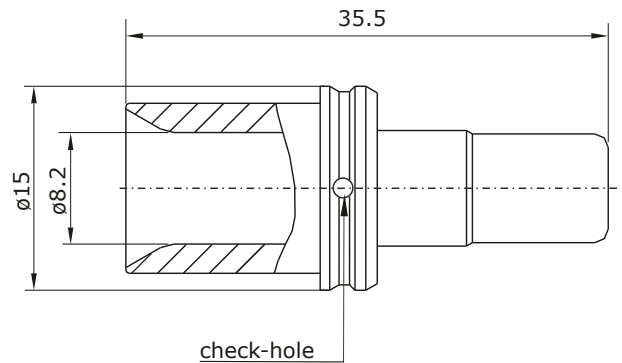
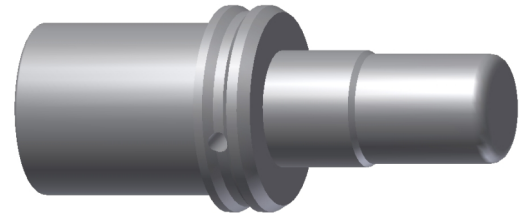
cross-section crimp/ 35 mm<sup>2</sup>  
max. outer wire diameter  $\varnothing 15$  mm  
stripping length 18 mm  
crimp settings select individually

### Mechanical Data

mating cycles 500

### Tools (not part of product contents)

crimp tool set in case TE part no.: C0-0207-000-000  
complete with crimp insert IC ref. no.: C0.207.00



**Main Dimension**  
contact pin

Y6-D195-000-0EN issued: 24.08.2011/CS; modified: 19.10.2018/KC

© 2018 TE Connectivity

TE Connectivity, TE connectivity (logo), intercontec (logo) and speedtec are trademarks.

While TE Connectivity (TE) has made every reasonable effort to ensure the accuracy of the information in this presentation, TE does not guarantee that it is error-free, nor does TE make any other representation, warranty or guarantee that the information is accurate, correct, reliable or current. TE reserves the right to make any adjustments to the information contained herein at any time without notice. TE expressly disclaims all implied warranties regarding the information contained herein, including, but not limited to, any implied warranties of merchantability or fitness for a particular purpose. The dimensions in this article are for reference purposes only and are subject to change without notice. Specifications are subject to change without notice. Consult TE for the latest dimensions and design specifications.

TE Connectivity Industrial GmbH  
Bernrieder Straße 15  
94559 Niederwinkling, Germany  
+49 9962 2002 - 0  
[intercontec@te.com](mailto:intercontec@te.com)  
[www.intercontec.biz](http://www.intercontec.biz)



\* for max. wire cross-section