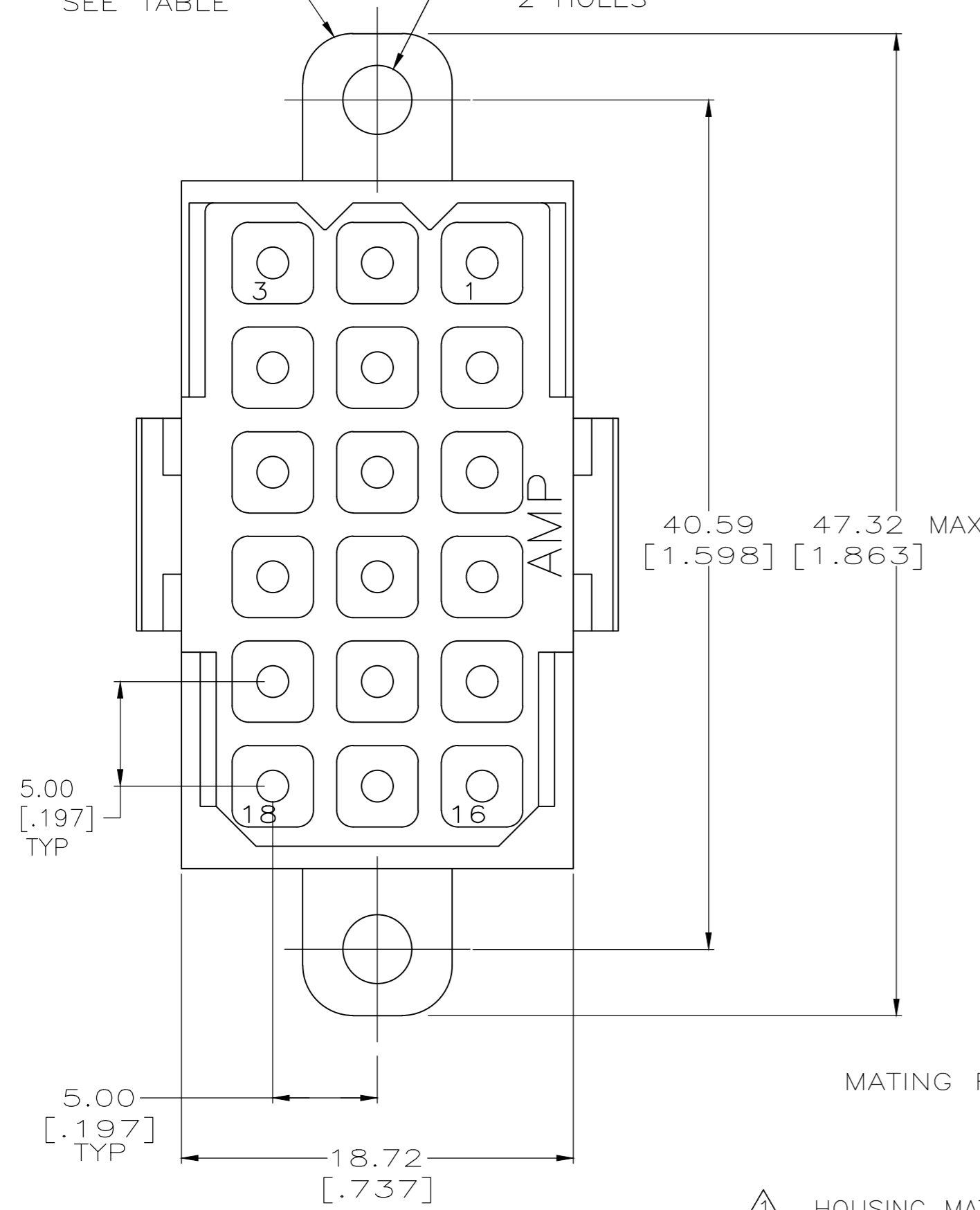


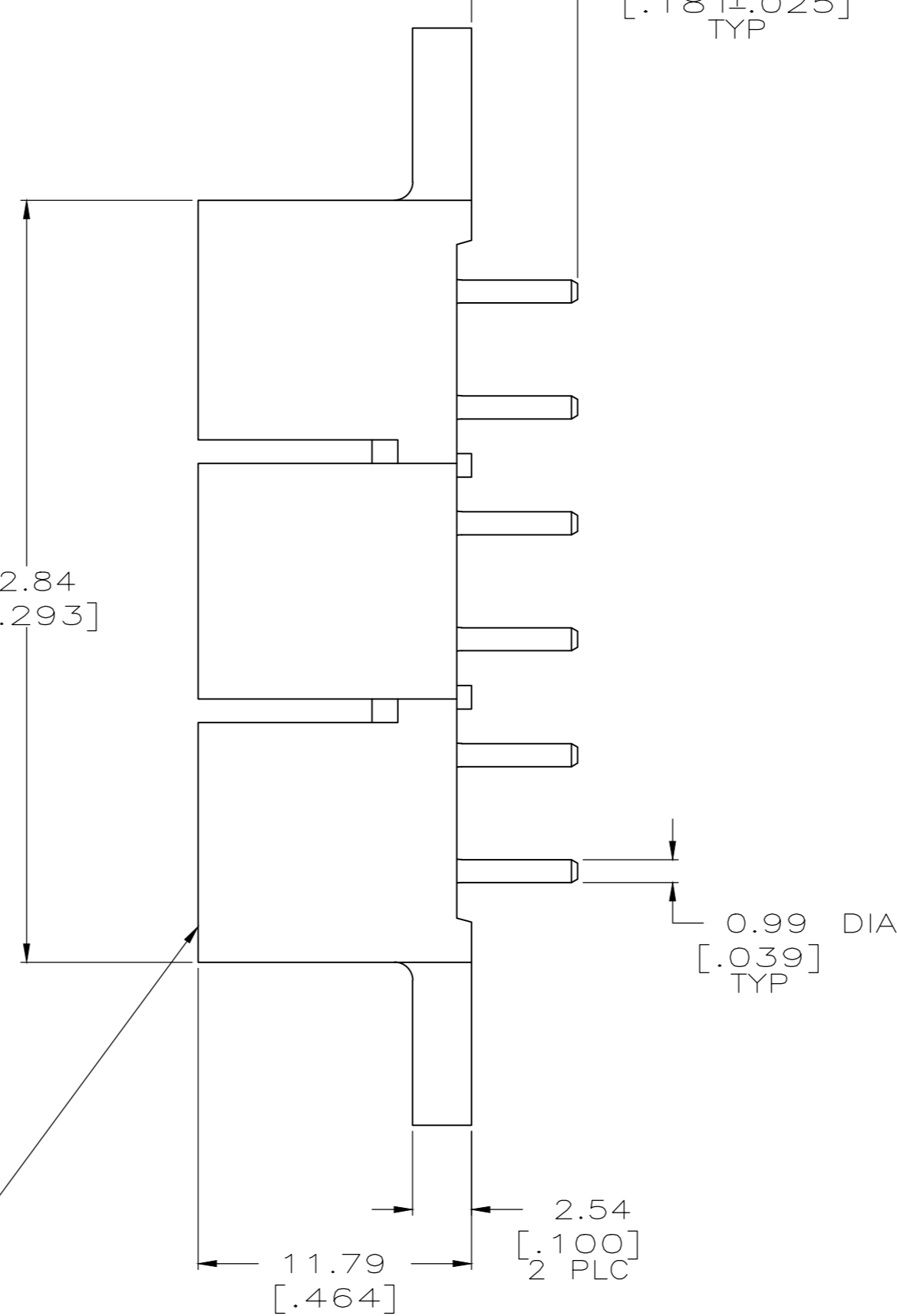
REVISIONS					
P	LTR	DESCRIPTION	DATE	DWN	APVD
M		REVISED PER 0G3B-0164-05	23JAN2018	RS	MZ
N		REVISED PER ECO-20-002045	13FEB2020	RK	MZ

MOUNTING TAB  
2 PLC  
SEE TABLE

3.30±0.10 DIA  
[.130±.004]  
2 HOLES

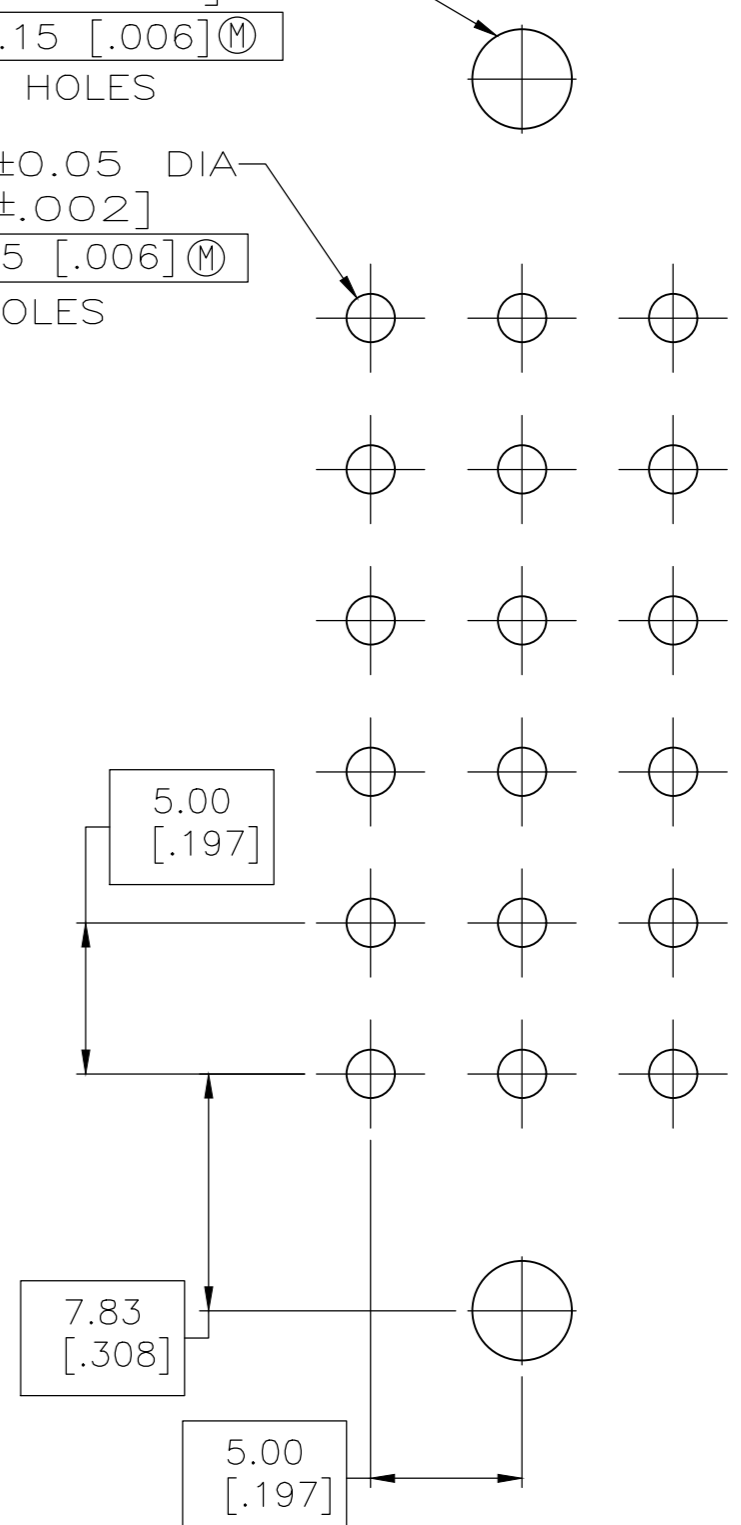


4.60±0.64  
[.181±.025]  
TYP



3.30±0.05 DIA  
[.130±.002]  
⊕ ∅ 0.15 [.006] (M)  
2 HOLES

1.60±0.05 DIA  
[.063±.002]  
⊕ ∅ 0.15 [.006] (M)  
18 HOLES



5.00  
[.197]  
TYP

0.99 DIA  
[.039]  
TYP

5.00  
[.197]  
TYP

18.72  
[.737]

11.79  
[.464]

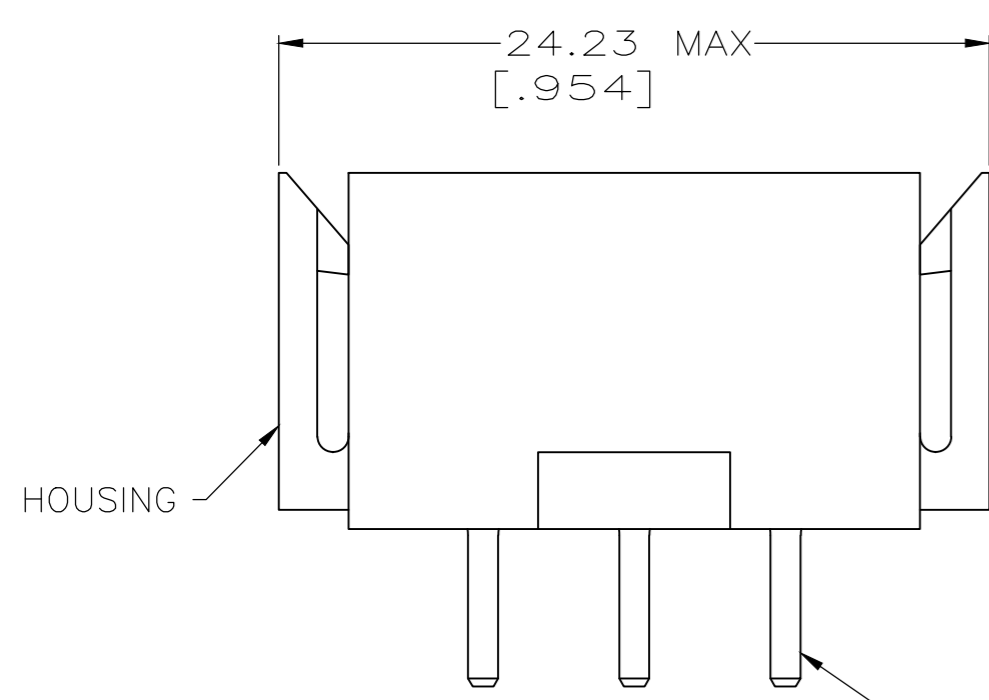
2.54  
[.100]  
2 PLC

RECOMMENDED PC BOARD LAYOUT

- ① HOUSING MATERIAL: PA66, BLACK, UL 94 V-0 RATED
- ② CONTACT MATERIAL: BRASS PER ASTM B36
- ③ 3.81µm [.000150] MIN TIN OVER 2.54µm [.000100] MIN COPPER.
- ④ 0.76µm [.000030] MIN GOLD FOR A LENGTH OF 5.08 [.200] FROM MATING END, 3.81µm [.000150] MIN TIN-LEAD FOR A LENGTH OF 4.83 [.190] MIN FROM OPPOSITE END, BOTH OVER 1.27µm [.000050] MIN NICKEL.
- ⑤ 0.76µm [.000030] MIN GOLD FOR A LENGTH OF 5.08 [.200] FROM MATING END, 3.81µm [.000150] MIN LEAD FREE TIN FOR A LENGTH OF 4.83 [.190] MIN FROM OPPOSITE END, BOTH OVER 1.27µm [.000050] MIN NICKEL.
- ⑥ 3.81µm [.000150] MIN LEAD FREE TIN OVER 2.54µm [.000100] MIN COPPER.

OBSOLETE  
OBSOLETE  
OBSOLETE  
OBSOLETE

REV	DESCRIPTION	DATE	BY	CHK
5	NO	1-207444-1		
6	NO	1-207444-0		
6	YES	207444-9		
5	YES	207444-8		
4	NO	207444-4		
4	YES	207444-3		
3	NO	207444-2		
3	YES	207444-1		



HOUSING

CONTACT  
TYP

THIS DRAWING IS A CONTROLLED DOCUMENT.

DIMENSIONS: mm [INCHES]	TOLERANCES UNLESS OTHERWISE SPECIFIED:	DWN L.SIPE 03/11/92	CHK R.STONE 3-17-92	APVD A.TRAVIS 3-17-92	NAME A.TRAVIS
0 PLC ± -	1 PLC ± -	PRODUCT SPEC 108-10033	APPLICATION SPEC	SIZE A2	CAGE CODE 00779
2 PLC ± 0.25 [.010]	3 PLC ± -	WEIGHT 0.000000	CUSTOMER DRAWING	DRAWING NO C=207444	RESTRICTED TO -
4 PLC ± -	ANGLES ± -	SCALE 4:1	SHEET 1 of 1	REV N	