

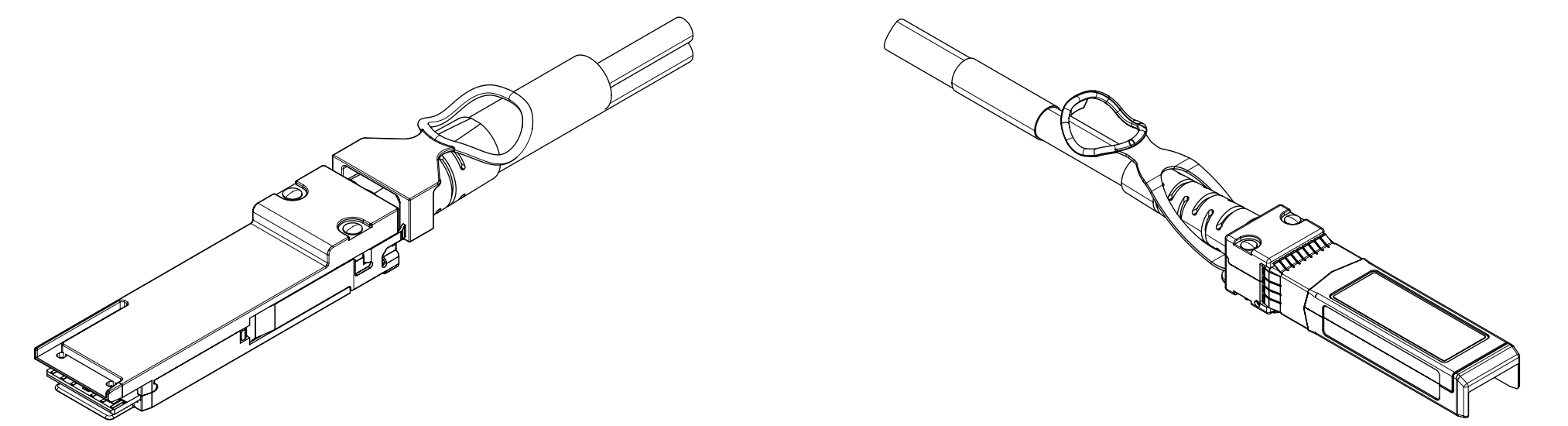
SEE SHEET 3 FOR zSFP+ LEG IDENTIFICATION LABEL DETAIL

MOLEX P/N	LENGTH(M)	TOL.(M)	AWG	RAW CABLE
2058971052	0.5	0.05	30	TEMPFLEX
2058971102	1.0	0.05	30	
2058971152	1.5	0.08	30	
2058971202	2.0	0.08	30	
2058973102	1.0	0.05	26	
2058973152	1.5	0.08	26	
2058973202	2.0	0.08	26	
2058973252	2.5	0.08	26	
2058973302	3.0	0.08	26	

LENGTHS BELOW 1M MAY NOT MEET ALL PARAMETERS OF 802.3cd

- NOTES:
- MATERIALS:
 - RAW CABLE- 2 TWIN-AX PAIRS, PVC JACKET
 - BACKSHELLS - ZINC DIECAST WITH BRIGHT NICKEL PLATING
 - RIVETS - STAINLESS STEEL
 - IMPEDANCE - 100 OHMS DIFFERENTIAL
 - RoHS COMPLIANT, NO EXEMPTIONS
 - EEPROM SPEC IS COMPLIANT TO SFF 8636 REV 2.7 AT zQSFP+ END AND SFF 8472 REV 12.2 AT zSFP+ END
 - EEPROM MAP AVAILABLE UPON REQUEST

QUALITY SYMBOLS F = 0 E = 0 E = 0 C = 0 C = 0 X = 0 = 0 V = 0				THIS DRAWING CONTAINS INFORMATION THAT IS PROPRIETARY TO MOLEX ELECTRONIC TECHNOLOGIES, LLC AND SHOULD NOT BE USED WITHOUT WRITTEN PERMISSION				DIMENSION UNITS mm		SCALE 1.5:1					
ADDED NOTE ON SHEET 1 EC NO: 171930 DRWN: SJKG CHKD: SJKG REV: APPR: ARAVBURN				GENERAL TOLERANCES (UNLESS SPECIFIED) ANGULAR TOL ± 1.0 ° 4 PLACES ± 3 PLACES ± 2 PLACES ± 0.13 1 PLACE ± 0.25 0 PLACES ±		DRWN BY SJKG		DATE 2017/10/31		ZQSFP+ TO 4ZSFP+ PAM4 56G CBL ASSY					
DRAFT WHERE APPLICABLE MUST REMAIN WITHIN DIMENSIONS				DRAFTER: SJKG APPR: ARAVBURN		CHKD BY KNAGANNA		DATE 2017/11/22		PRODUCT CUSTOMER DRAWING					
DRAWING SIZE D				THIRD ANGLE PROJECTION		APPR BY EMEDINA02		DATE 2017/11/22		SERIES 205897		MATERIAL NUMBER SEE P/N TABLE		CUSTOMER GENERAL MARKET	
DOCUMENT NUMBER 2058971052				DOC TYPE PSD		DOC PART 000		SHEET NUMBER 1 OF 3							

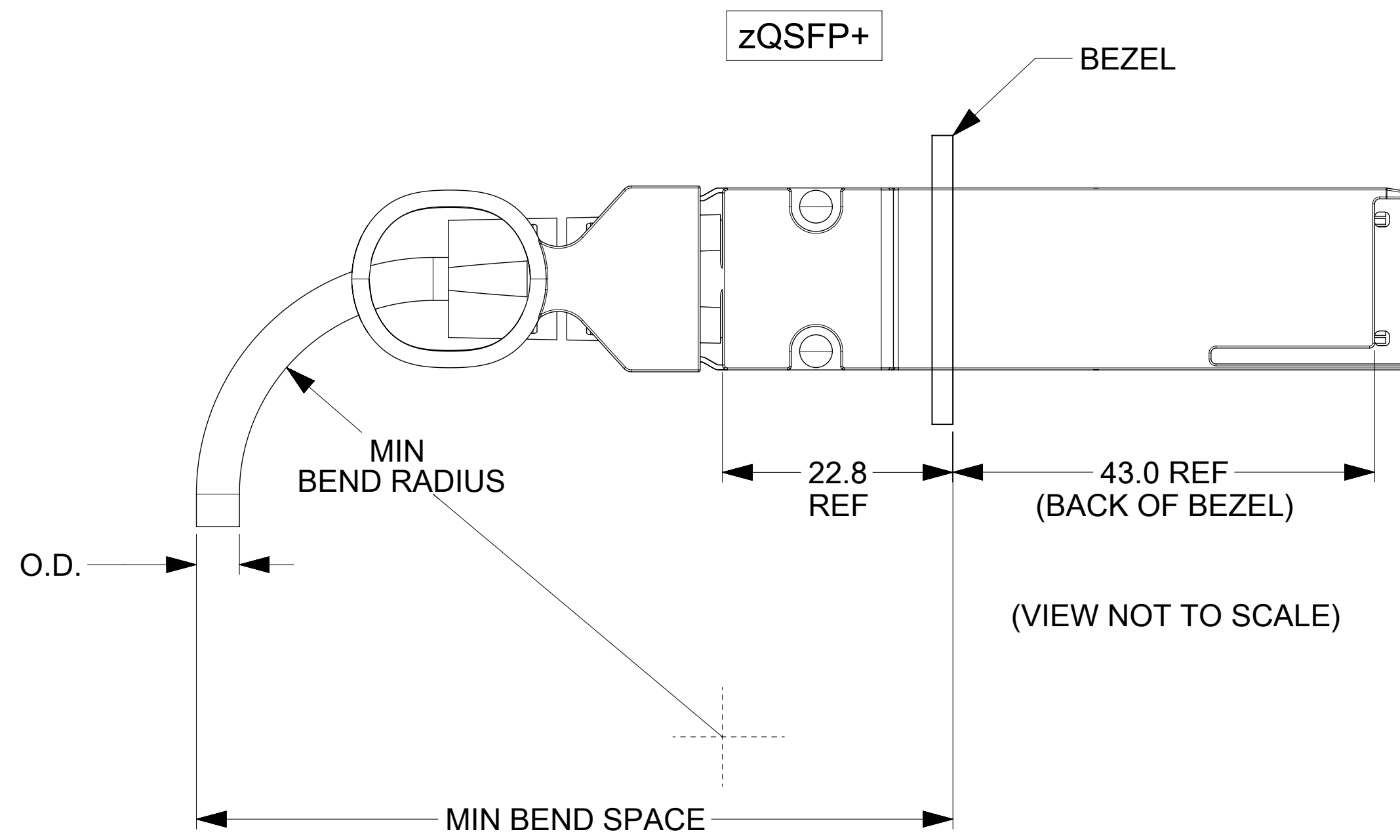


WIRING DIAGRAM					
zQSFP+		zSFP+		PLUG	
PAD	SIGNAL	SIGNAL	PAD		
38	GND	----	GND	A	
37	TX1-	--->	RD-		12
36	TX1+	--->	RD+		13
19	GND	----	GND		18
17	RX1+	<---	TD+	18	
18	RX1-	<---	TD-	19	
01	GND	----	GND	B	
02	TX2-	--->	RD-		12
03	TX2+	--->	RD+		13
20	GND	----	GND		18
22	RX2+	<---	TD+	18	
21	RX2-	<---	TD-	19	
35	GND	----	GND	C	
34	TX3-	--->	RD-		12
33	TX3+	--->	RD+		13
16	GND	----	GND		18
14	RX3+	<---	TD+	18	
15	RX3-	<---	TD-	19	
04	GND	----	GND	D	
05	TX4-	--->	RD-		12
06	TX4+	--->	RD+		13
23	GND	----	GND		18
25	RX4+	<---	TD+	18	
24	RX4-	<---	TD-	19	

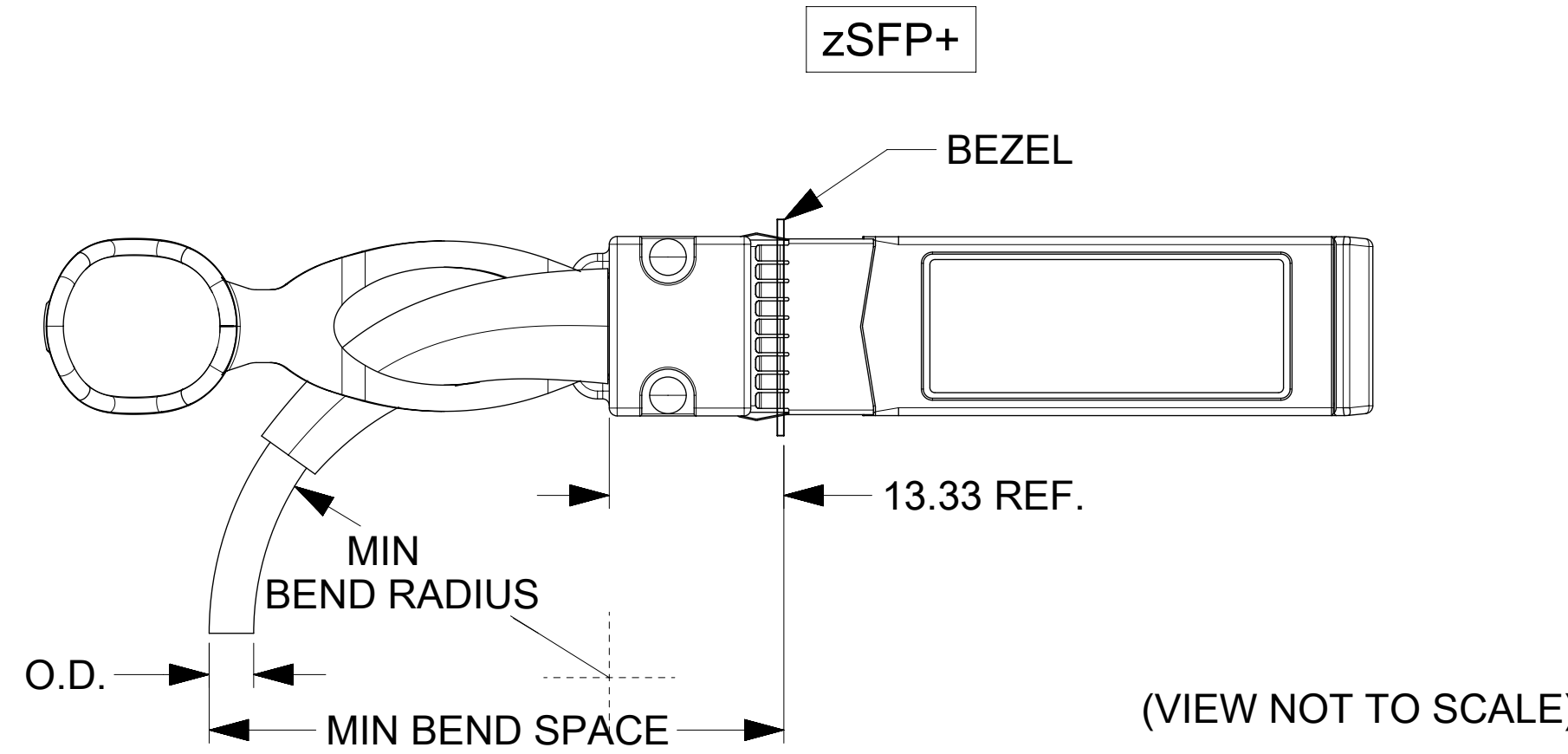
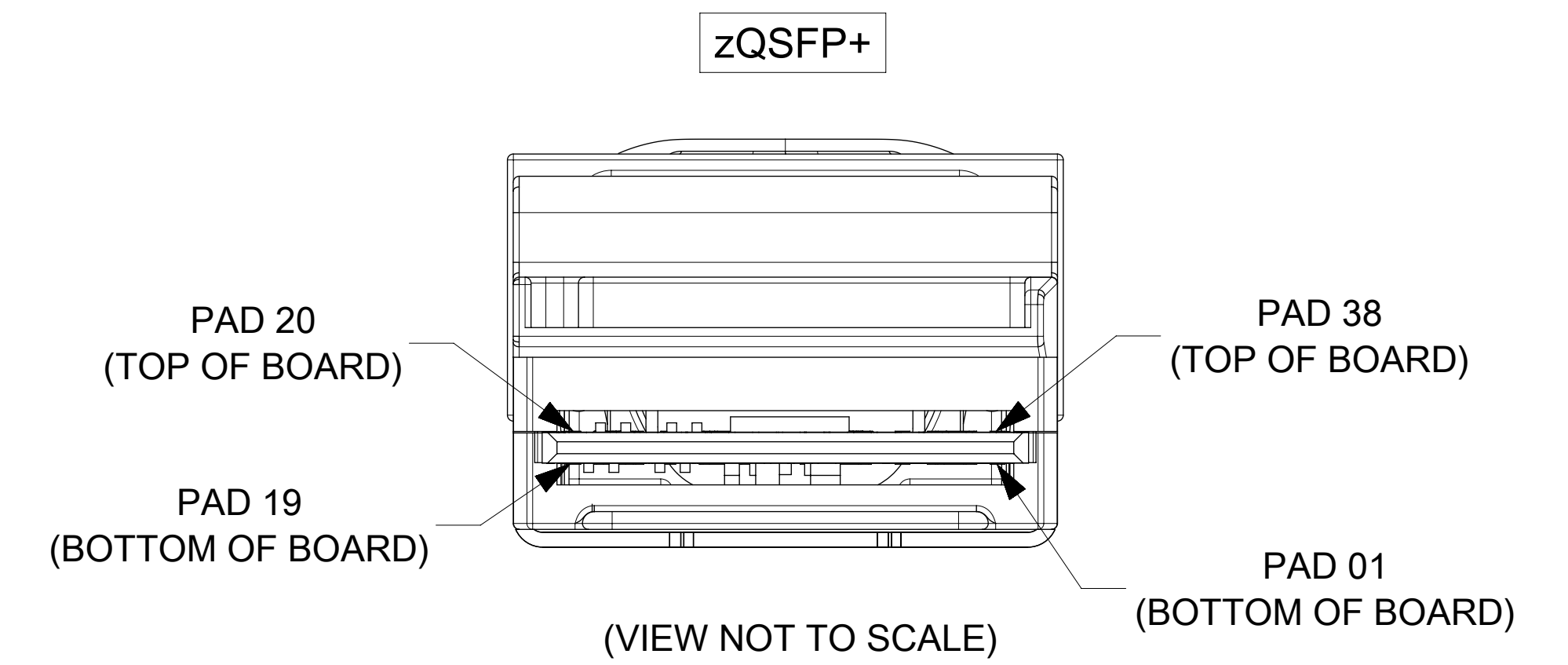
LOW SPEED SIGNALS zQSFP+	
PAD	SIGNAL
08	ModSelL
09	ResetL
10	VccRx
11	SCL
12	SDA
27	ModPrsL
28	IntL
29	VccTx
30	Vcc1
31	LPMODE

LOW SPEED SIGNALS zSFP+	
PAD	SIGNAL
02	Tx_Fault
03	Tx_Disable
04	SDA
05	SCL
06	Mod_ABS
07	RS0
08	Rx_LOS
09	RS1
15	VccR
16	VccT

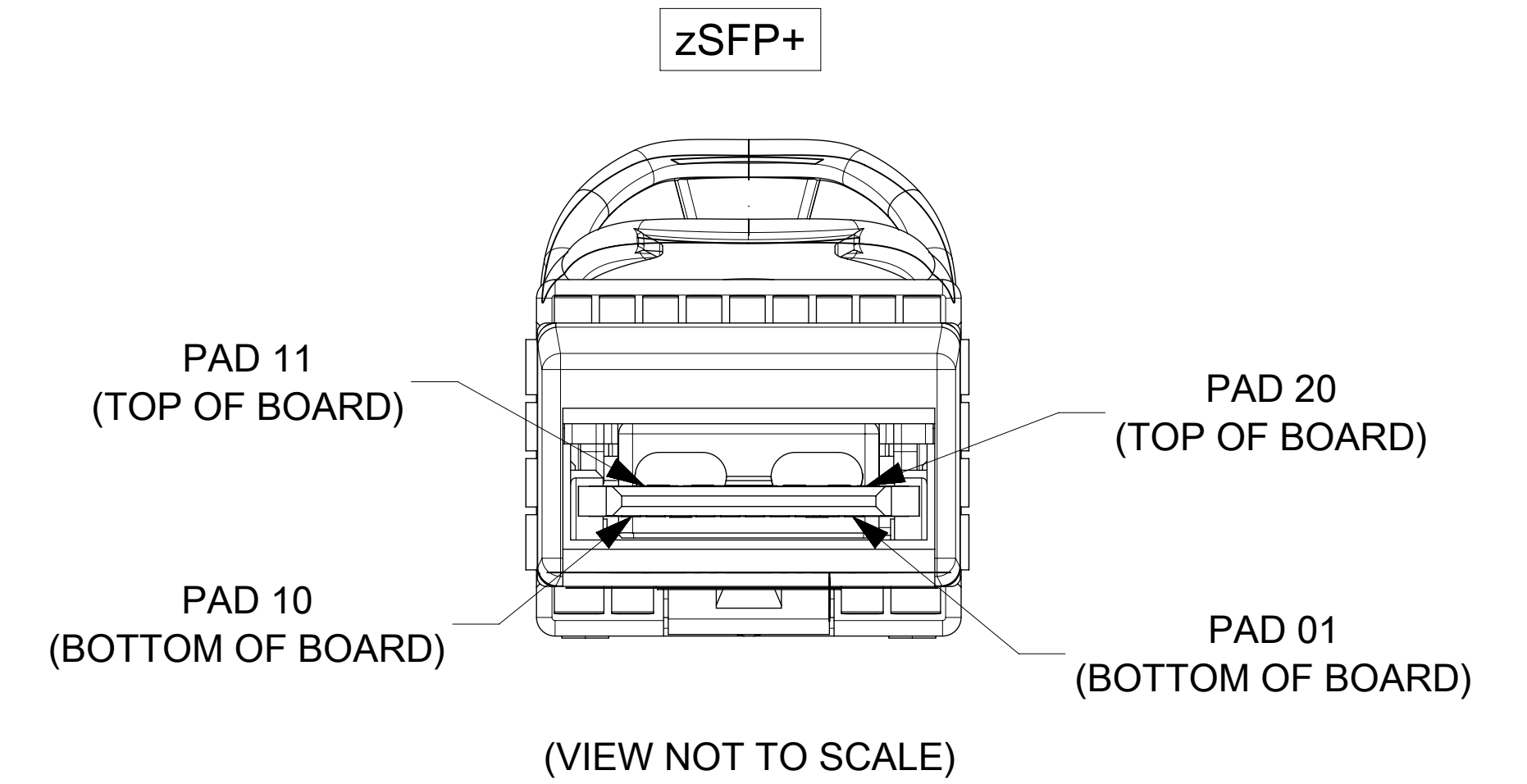
CABLE BEND RADIUS



CABLE AWG	OD OF CBL BUNDLE	MIN BEND RADIUS (mm)	MIN BEND SPACE (mm)
30	4.83	24	56
26	5.8	29	63



CABLE AWG	OD	MIN BEND RADIUS (mm)	MIN BEND SPACE (mm)
30	4.83	24	42
26	5.80	29	48

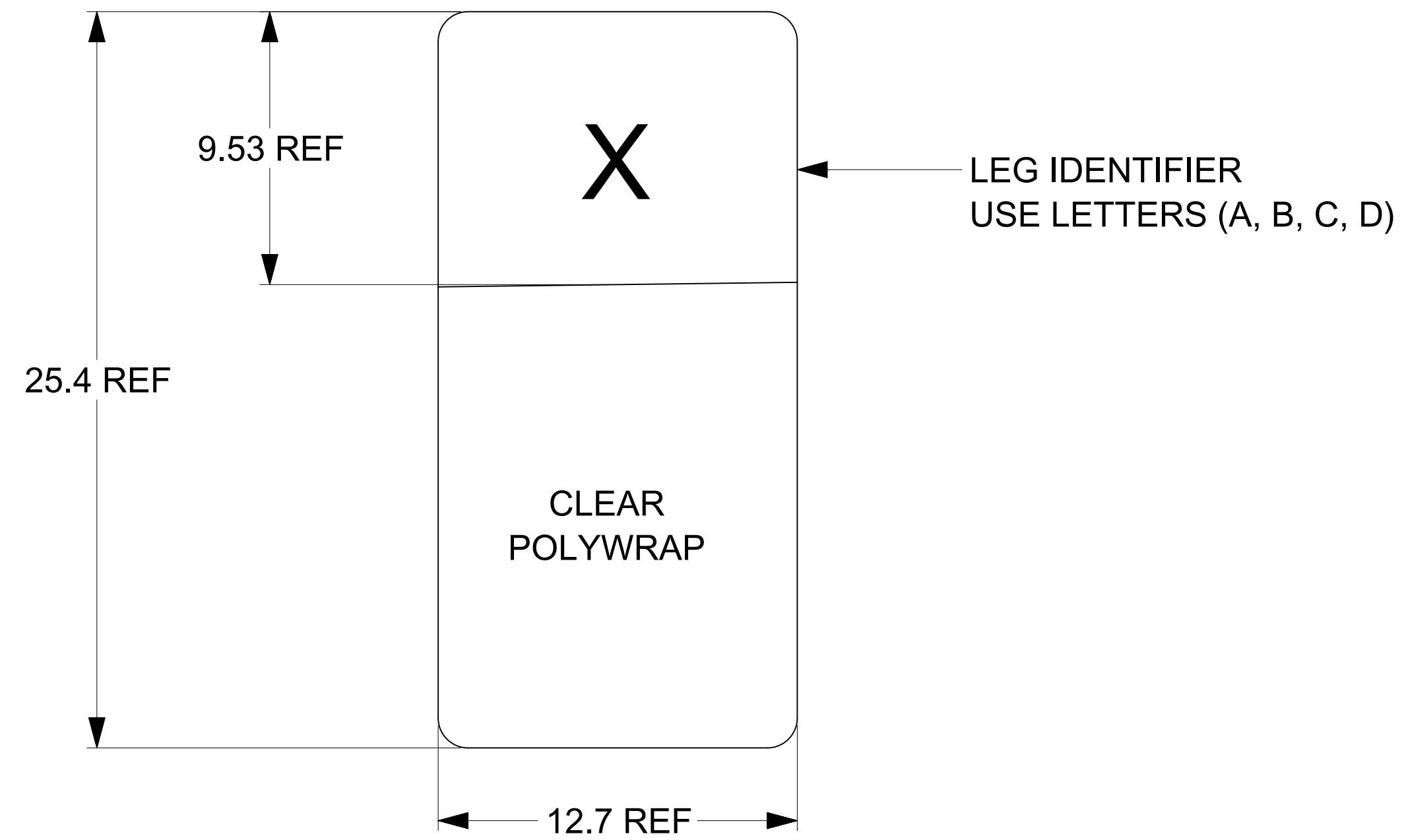


LEGEND:
 ---- = DRAIN LINES
 ---> = TRANSMIT TO RECEIVE ON HIGH SPEED CIRCUITS

NOTES:
 1. DC BLOCKING CAPS ON RECIEVE SIDE ONLY
 2. CABLE COILED AND PACKAGED IN BEST FIT ESD BAG AND SEALED WITH ESD LABEL FOR SHIPPING.

QUALITY SYMBOLS F = 0 E = 0 D = 0 C = 0 B = 0 A = 0 0 = 0	THIS DRAWING CONTAINS INFORMATION THAT IS PROPRIETARY TO MOLEX ELECTRONIC TECHNOLOGIES, LLC AND SHOULD NOT BE USED WITHOUT WRITTEN PERMISSION		DIMENSION UNITS mm	SCALE 1:1	
	GENERAL TOLERANCES (UNLESS SPECIFIED) ANGULAR TOL ± 1.0 ° 4 PLACES ± 3 PLACES ± 2 PLACES ± 0.13 1 PLACE ± 0.25 0 PLACES ±	DRWN BY SJKG	DATE 2017/10/31	PRODUCT CUSTOMER DRAWING ZQSFP+ TO 4ZSFP+ PAM4 56G CBL ASSY	
ADDED NOTE ON SHEET 1 EC NO: 171930 DRWN: SJKG CHKD: SJKG REV APPR: ARAYBURN	DRAFT WHERE APPLICABLE MUST REMAIN WITHIN DIMENSIONS	APPR BY KNAGANNA	DATE 2017/11/22	SERIES 205897	MATERIAL NUMBER SEE P/N TABLE
DRAWING SIZE D	THIRD ANGLE PROJECTION	CUSTOMER GENERAL MARKET	DOCUMENT NUMBER 2058971052	DOC TYPE PSD	DOC PART SHEET NUMBER 000 2 OF 3

LEG ID LABEL



CABLE ID LABEL



P/N (SEE P/N TABLE)
 X.XM = LENGTH AS SHOWN IN TABLE
 XXAWG = AWG SIZE

YYDDLSSSS
 YY = LAST TWO DIGITS OF THE YEAR
 DDD = DAY OF THE YEAR
 L = LOCATION
 1 = US
 2 = MEXICO
 3 = CHINA
 4 = PHILIPPINES
 SSSS = (0001-9999)

THIS DRAWING CONTAINS INFORMATION THAT IS PROPRIETARY TO MOLEX ELECTRONIC TECHNOLOGIES, LLC AND SHOULD NOT BE USED WITHOUT WRITTEN PERMISSION											
QUALITY SYMBOLS	F = 0 E = 0 D = 0 C = 0 B = 0 A = 0 0 = 0	ADDED NOTE ON SHEET 1 EC NO: 171930 DRWN: SJKG CHKD: SJKG REV APPR: ARAYBURN	GENERAL TOLERANCES (UNLESS SPECIFIED)		DIMENSION UNITS	SCALE					
			ANGULAR TOL ± 1.0 °		mm	1:1					
		4 PLACES ±		DRWN BY	DATE		ZQSFP+ TO 4ZSFP+ PAM4 56G CBL ASSY				
		3 PLACES ±		SJKG	2017/10/31						
		2 PLACES ± 0.13		CHKD BY	DATE		PRODUCT CUSTOMER DRAWING				
		1 PLACE ± 0.25		KNAGANNA	2017/11/22						
		0 PLACES ±		APPR BY	DATE		SERIES: 205897 MATERIAL NUMBER: SEE P/N TABLE CUSTOMER: GENERAL MARKET				
		DRAFT WHERE APPLICABLE MUST REMAIN WITHIN DIMENSIONS		EMEDINA02	2017/11/22						
				DRAWING SIZE	THIRD ANGLE PROJECTION		DOCUMENT NUMBER: 2058971052 DOC TYPE: PSD DOC PART: 000 SHEET NUMBER: 3 OF 3				
				D							