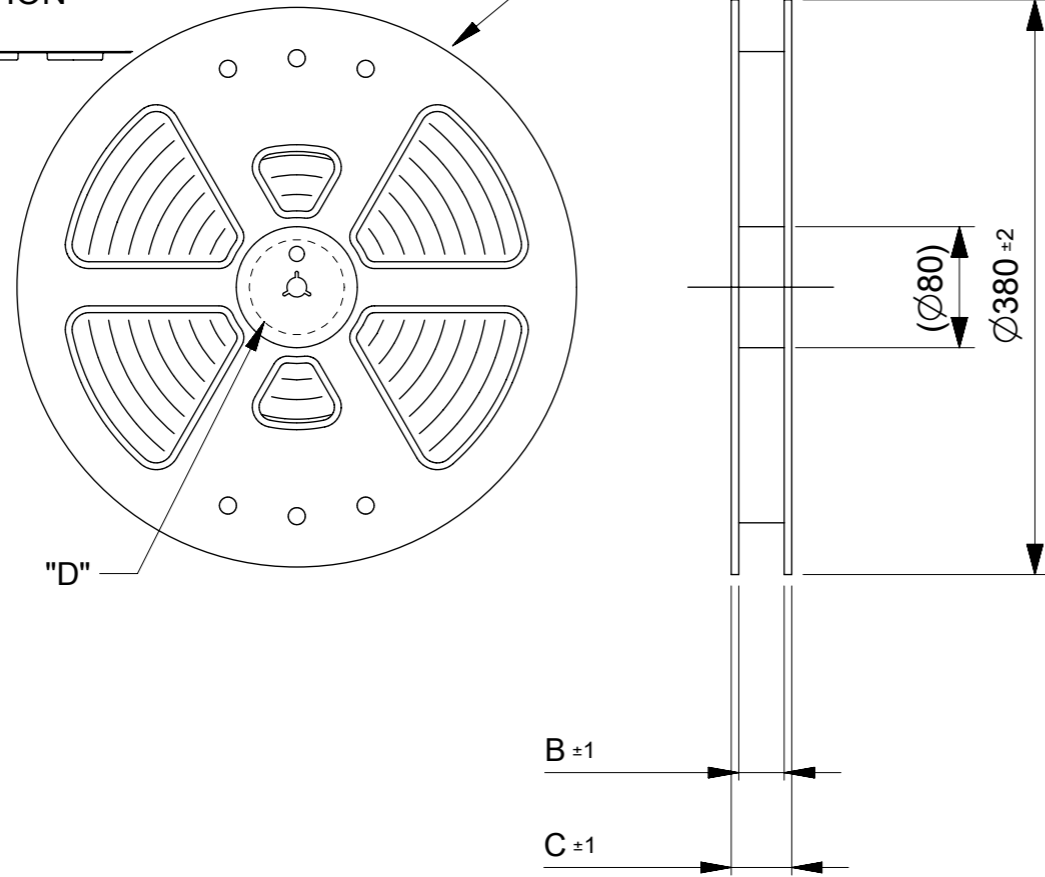
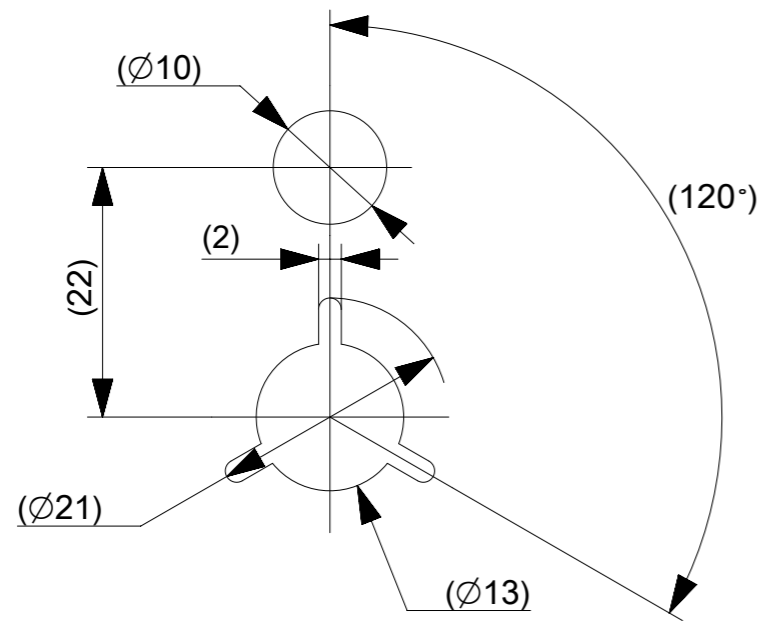


PULL OUT DIRECTION

REEL



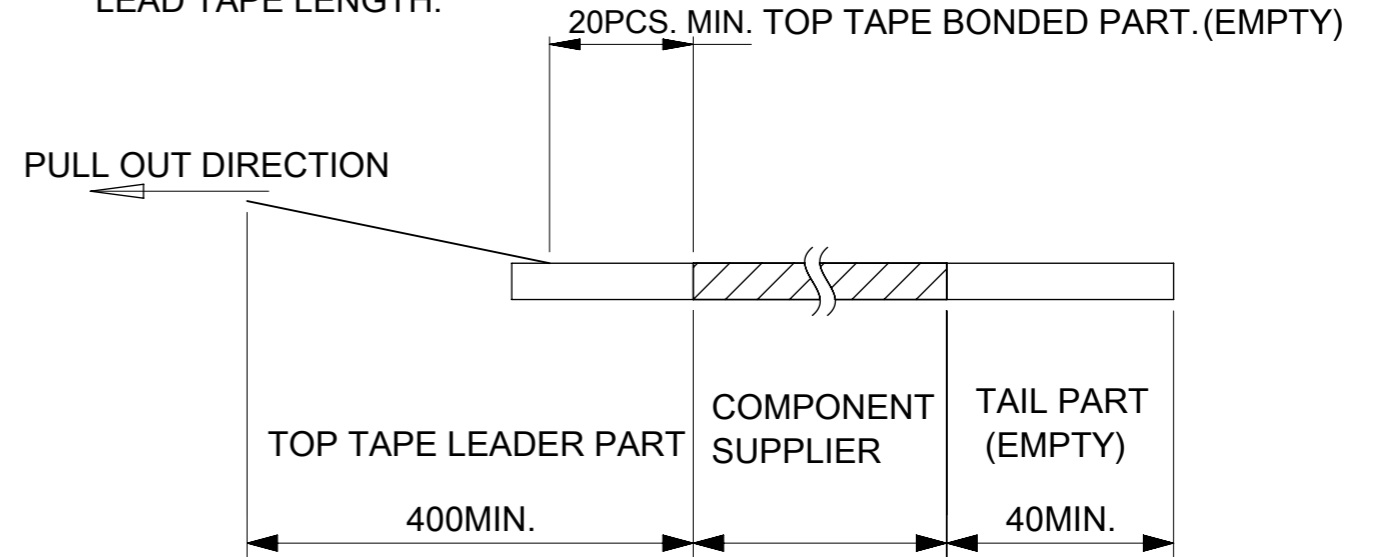
"D"



DETAIL "D"

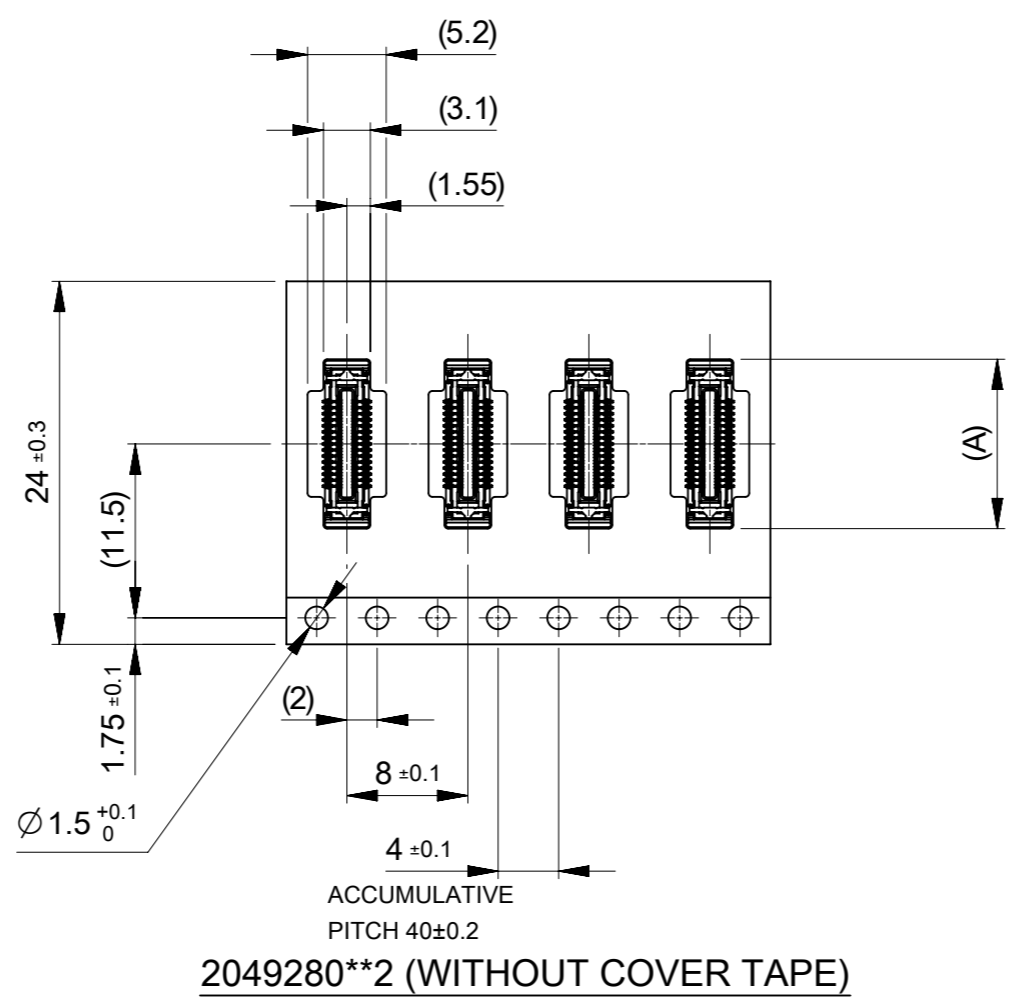
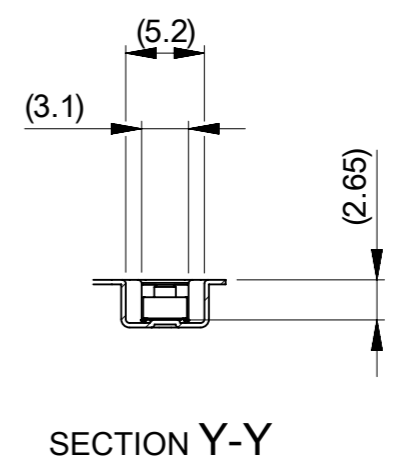
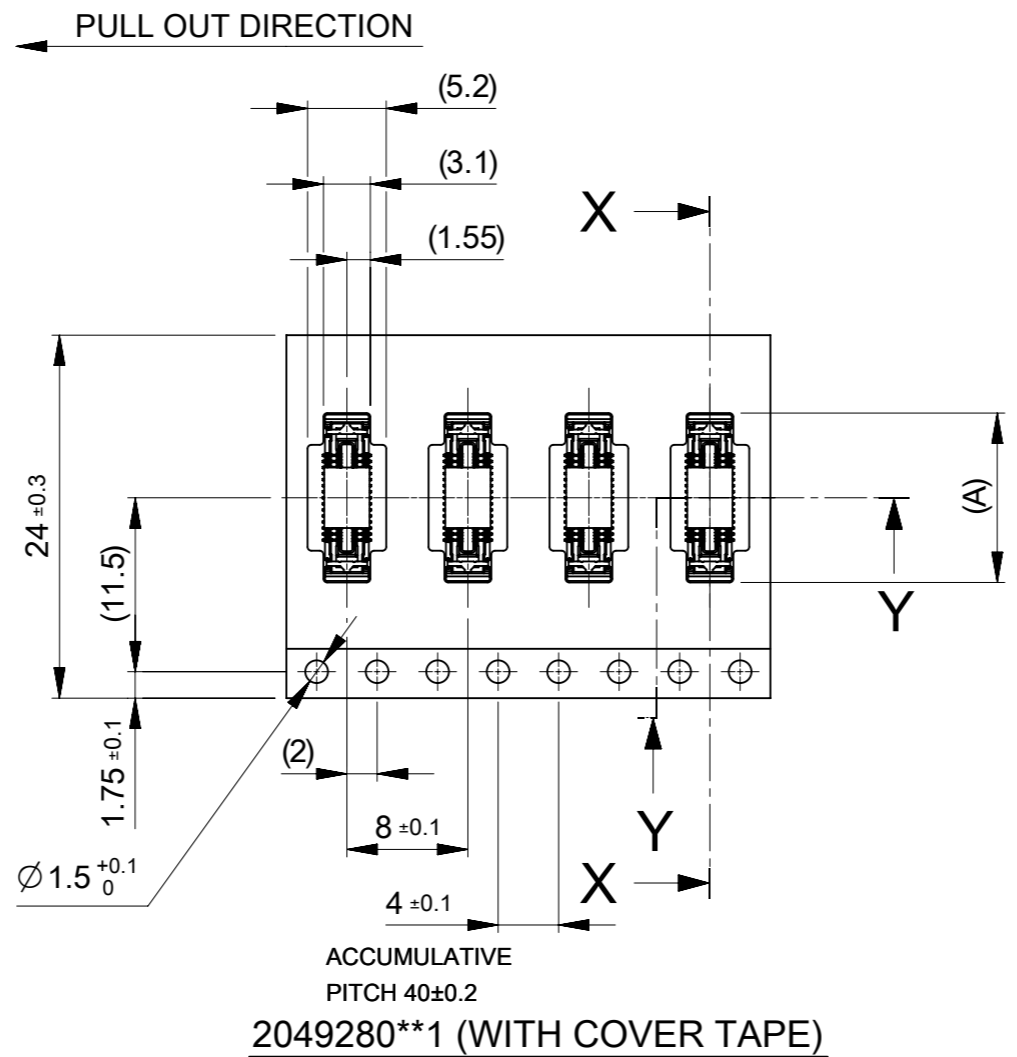
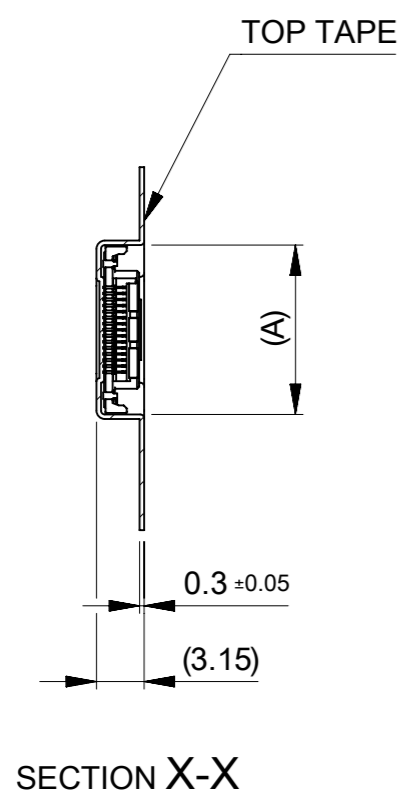
NOTES

1. RE DETAILED DIMENSION, SEE PRODUCT DRAWING.
2. NUMBER OF CONNECTORS : 3000 PCS/REEL.
3. LEAD TAPE LENGTH.



4. TOP TAPE PEEL FORCE IS DEFINED BY IEC60286-3
5. MATERIAL
 CARRIER TAPE : POLYSTYRENE
 TOP TAPE : PET , OTHER
 REEL : POLYSTYRENE(PS)(RECYCLE MATERIAL CONTAINED)

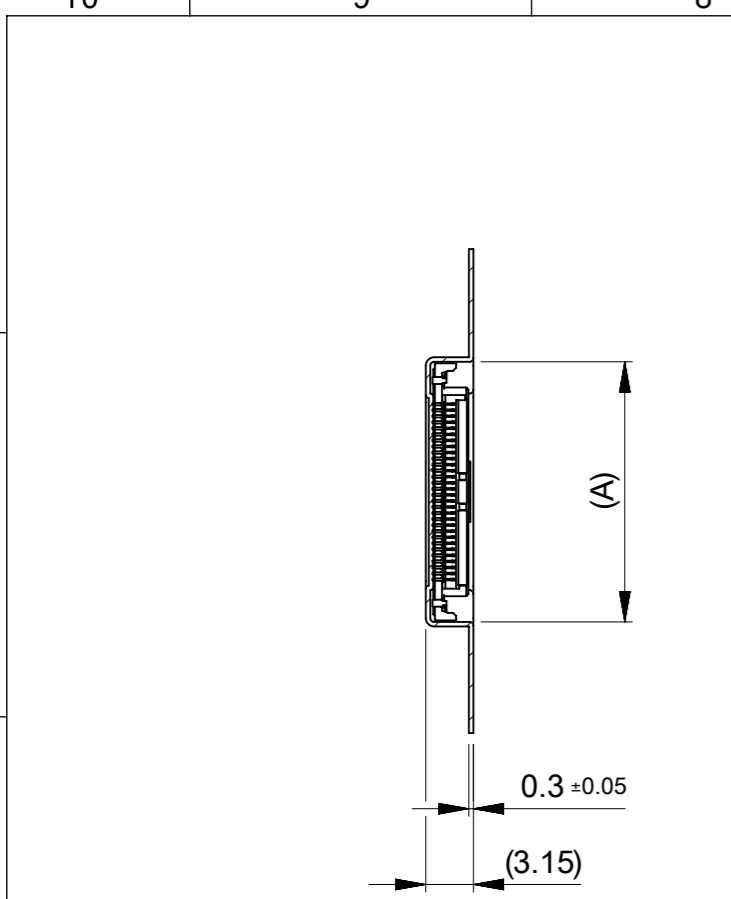
THIS DRAWING CONTAINS INFORMATION THAT IS PROPRIETARY TO MOLEX ELECTRONIC TECHNOLOGIES, LLC AND SHOULD NOT BE USED WITHOUT WRITTEN PERMISSION		CURRENT REV DESC:		molex	
DIMENSION UNITS	SCALE				
mm	1:5			PRODUCT CUSTOMER DRAWING	
GENERAL TOLERANCES (UNLESS SPECIFIED)		EC NO: 663038		DOCUMENT NUMBER	
ANGULAR TOL ± 1.0°		DRWN: AHMADI2 2020/12/21		2049280000-SD	
4 PLACES ± 0.01		CHK'D: TKON 2021/05/21		DOC TYPE DOC PART REVISION	
3 PLACES ± 0.03		APPR: SHOSHIKAWA 2021/05/21		PSD 000 C	
2 PLACES ± 0.05		INITIAL REVISION:		MATERIAL NUMBER	
1 PLACE ± 0.1		DRWN: JFURUKAWA 2019/02/01		CUSTOMER	
0 PLACES ± 0.2		APPR: SHOSHIKAWA 2020/05/20		GENERAL	
DRAFT WHERE APPLICABLE MUST REMAIN WITHIN DIMENSIONS		THIRD ANGLE PROJECTION	DRAWING	SERIES	SHEET NUMBER
			A3-SIZE	204928	1 OF 3



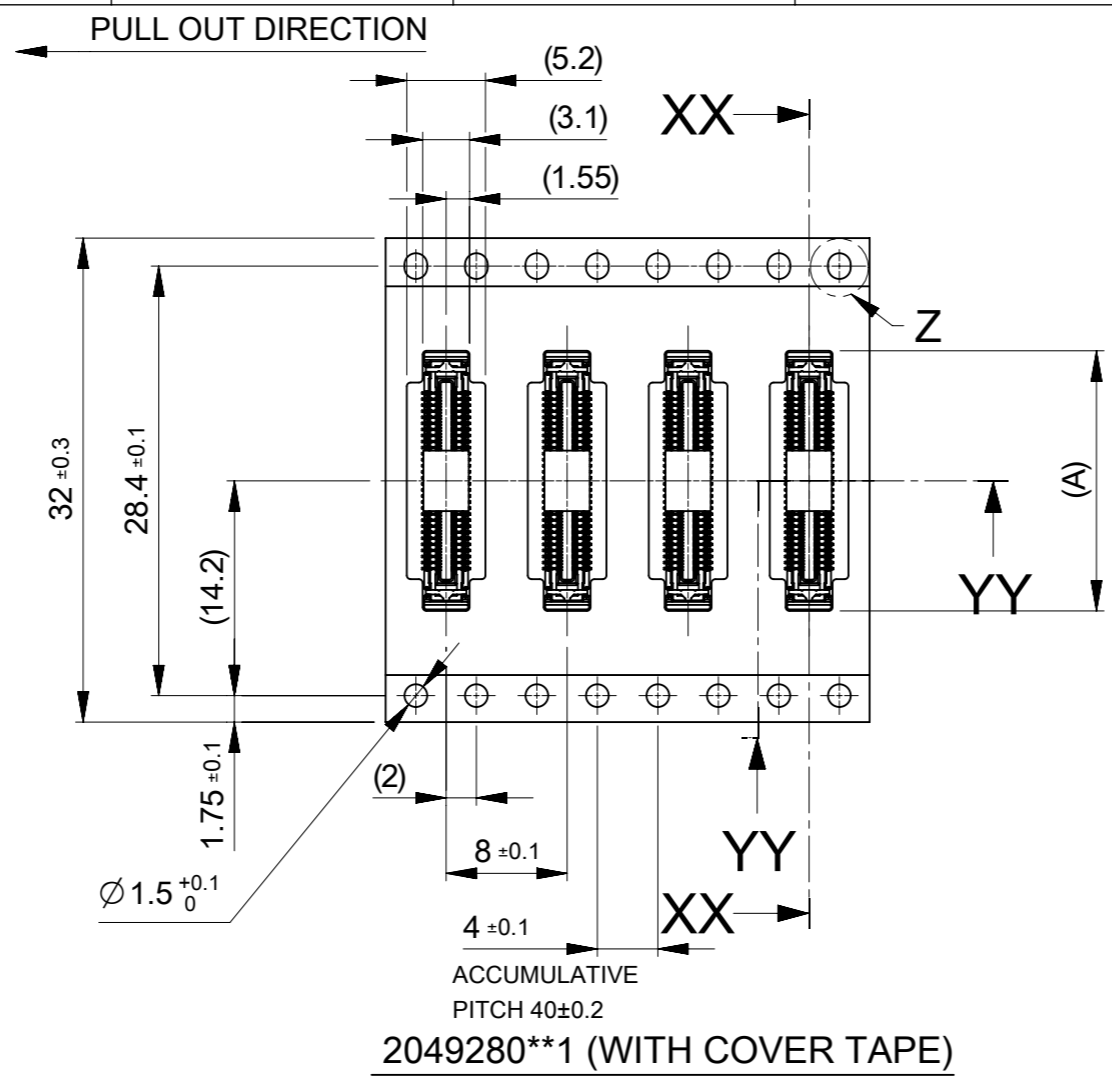
29.4	25.4	15.2	2049280502	2049280501	50
		13.2	2049280402	2049280401	40
		11.2	2049280302	2049280301	30
		9.2	2049280202	2049280201	20
C	B	(A)	WITHOUT COVER TAPE	WITH COVER TAPE	CIRCUIT
ORDER No.					

THIS DRAWING CONTAINS INFORMATION THAT IS PROPRIETARY TO MOLEX ELECTRONIC TECHNOLOGIES, LLC AND SHOULD NOT BE USED WITHOUT WRITTEN PERMISSION

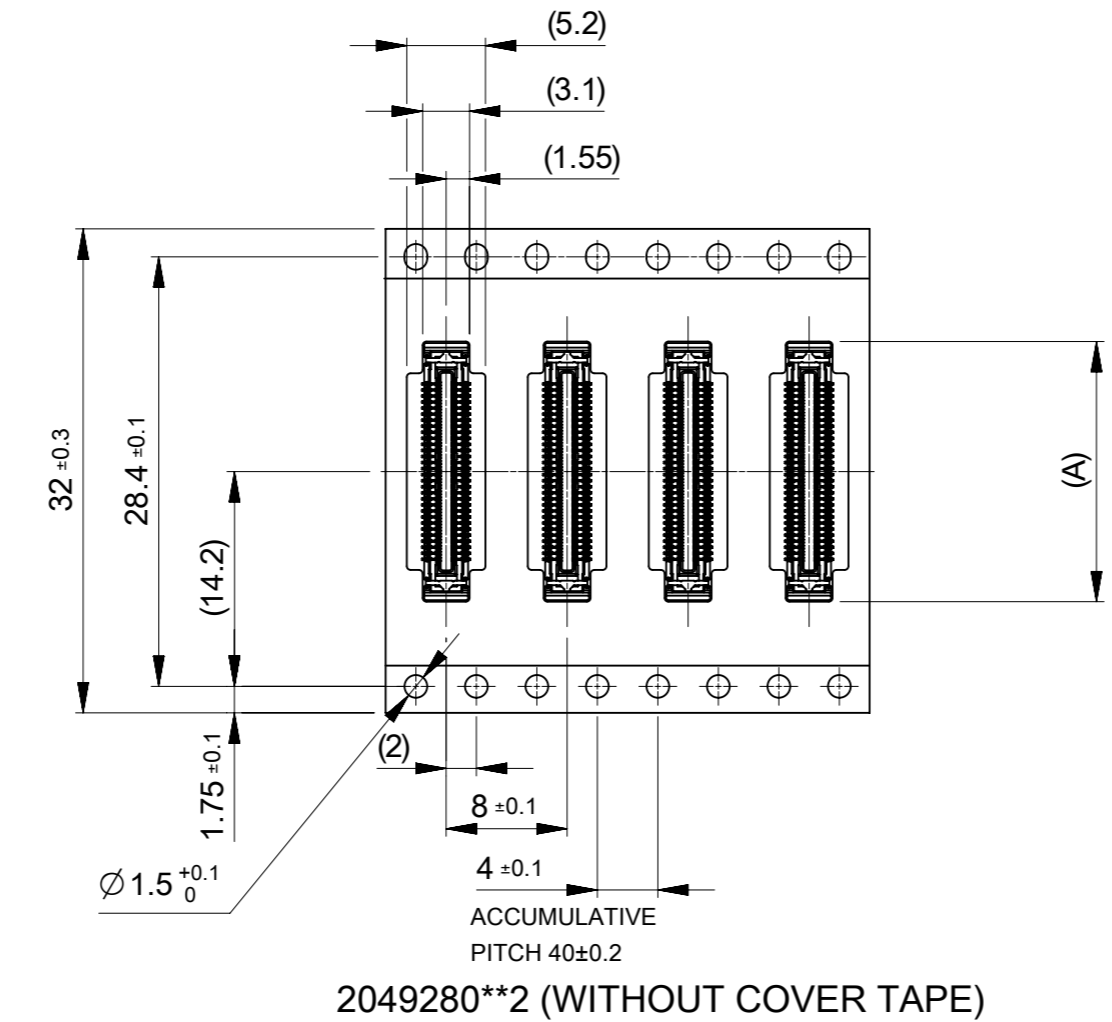
DIMENSION UNITS mm	SCALE 2:1	CURRENT REV DESC:		molex		
GENERAL TOLERANCES (UNLESS SPECIFIED)		EC NO: 663038				
ANGULAR TOL	± 1.0°	DRWN: AHMADI2		2020/12/21		
4 PLACES	± 0.01	CHK'D: TKON		2021/05/21		
3 PLACES	± 0.03	APPR: SHOSHIKAWA		2021/05/21		
2 PLACES	± 0.05	INITIAL REVISION:		PRODUCT CUSTOMER DRAWING		
1 PLACE	± 0.1	DRWN: JFURUKAWA		DOCUMENT NUMBER		
0 PLACES	± 0.2	APPR: SHOSHIKAWA		2049280000-SD		
DRAFT WHERE APPLICABLE MUST REMAIN WITHIN DIMENSIONS		THIRD ANGLE PROJECTION	DRAWING	SERIES	MATERIAL NUMBER	CUSTOMER
			A3-SIZE	204928	GENERAL	PSD
					DOC TYPE	DOC PART
					000	C
					REVISION	
						2 OF 3



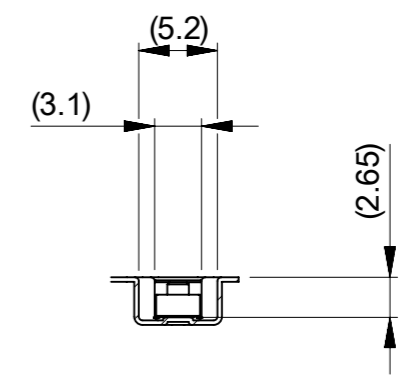
SECTION XX-XX



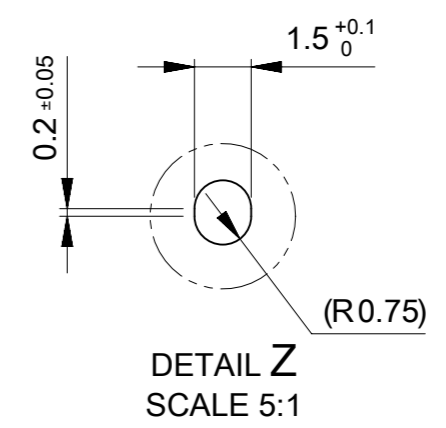
2049280**1 (WITH COVER TAPE)



2049280**2 (WITHOUT COVER TAPE)



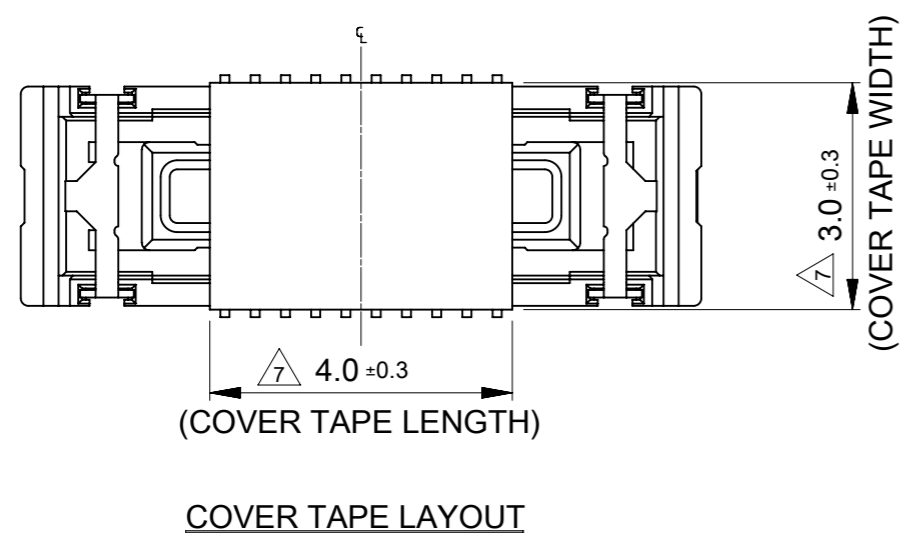
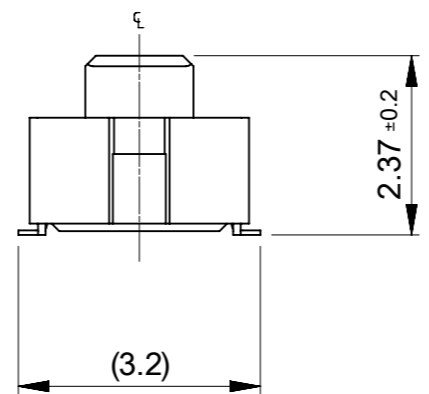
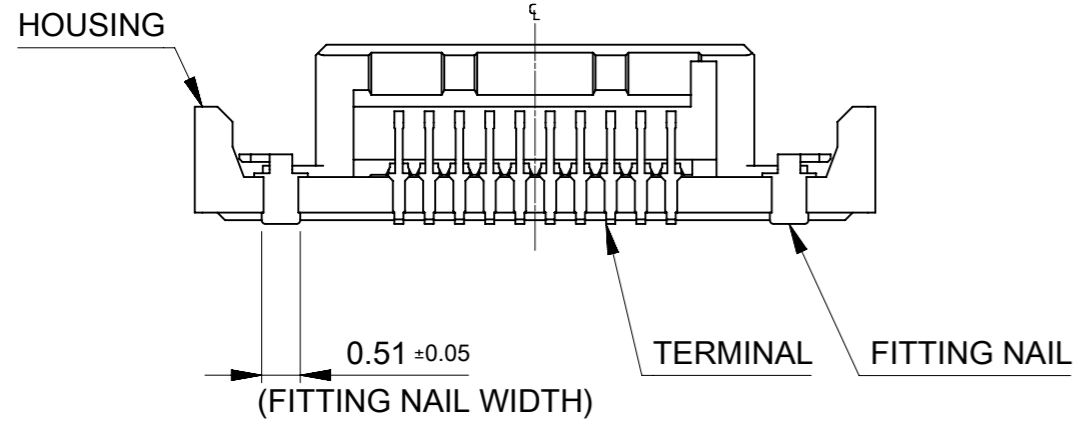
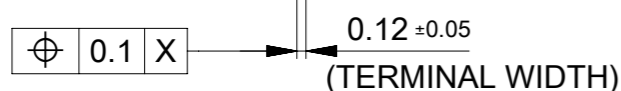
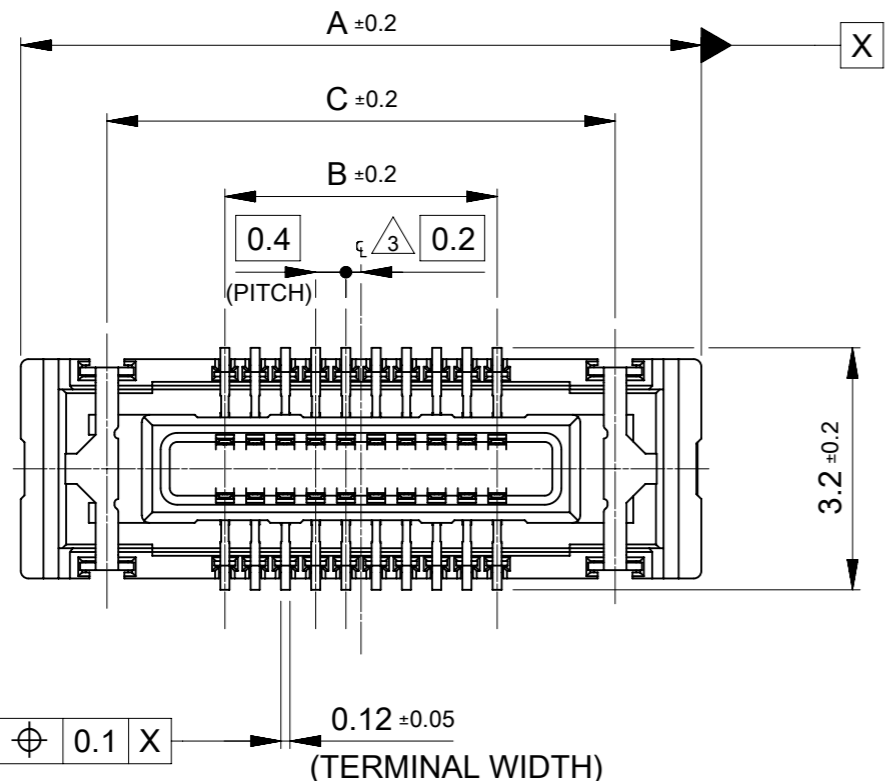
SECTION YY-YY



DETAIL Z
SCALE 5:1

37.4	33.4	17.2	2049280602	2049280601	60
C	B	(A)	WITHOUT COVER TAPE	WITH COVER TAPE	CIRCUIT
ORDER No.					

THIS DRAWING CONTAINS INFORMATION THAT IS PROPRIETARY TO MOLEX ELECTRONIC TECHNOLOGIES, LLC AND SHOULD NOT BE USED WITHOUT WRITTEN PERMISSION					
DIMENSION UNITS mm		SCALE 2:1		CURRENT REV DESC:	
GENERAL TOLERANCES (UNLESS SPECIFIED)					
ANGULAR TOL ± 1.0°					
4 PLACES ± 0.01					
3 PLACES ± 0.03					
2 PLACES ± 0.05					
1 PLACE ± 0.1					
0 PLACES ± 0.2					
DRAFT WHERE APPLICABLE MUST REMAIN WITHIN DIMENSIONS		THIRD ANGLE PROJECTION		DRAWING A3-SIZE	
SERIES 204928		MATERIAL NUMBER		CUSTOMER GENERAL	
EC NO: 663038		DRWN: AHMADI2		2020/12/21	
CHK'D: TKON		APPR: SHOSHIKAWA		2021/05/21	
INITIAL REVISION:		DRWN: JFURUKAWA		2019/02/01	
APPR: SHOSHIKAWA		2020/05/20		DOCUMENT NUMBER 2049280000-SD	
DOC TYPE PSD		DOC PART 000		REVISION C	
SHEET NUMBER 3 OF 3					

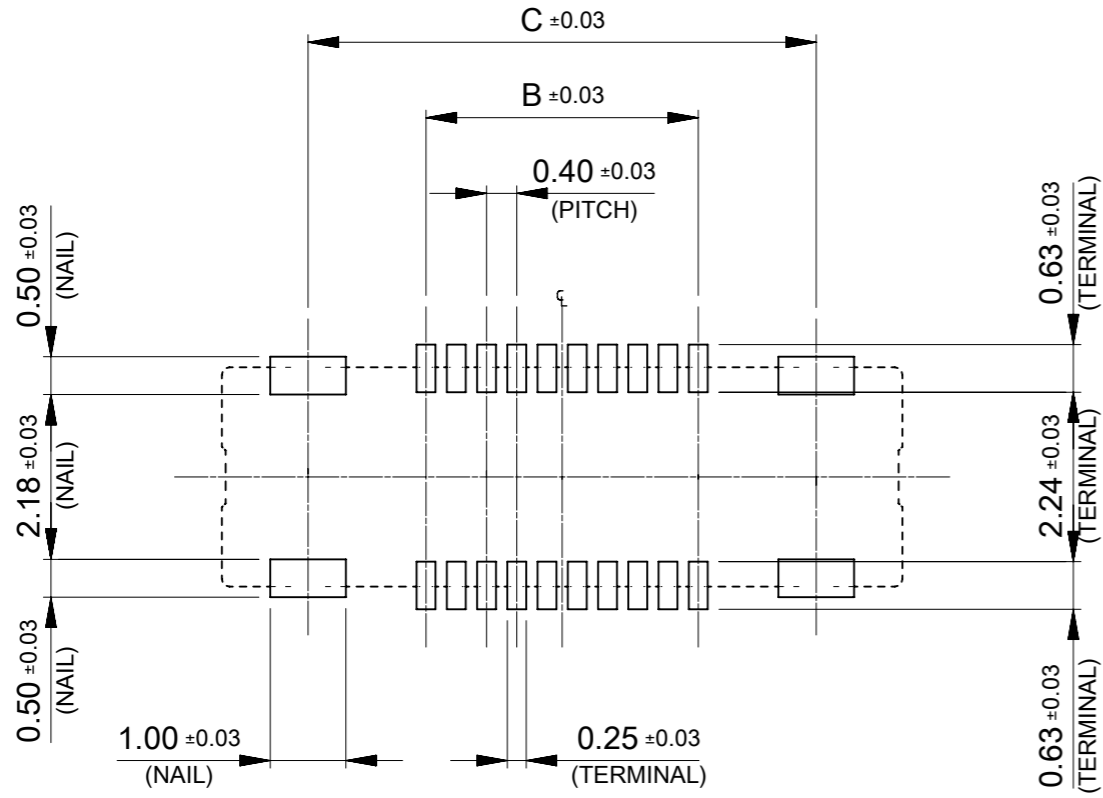


NOTES

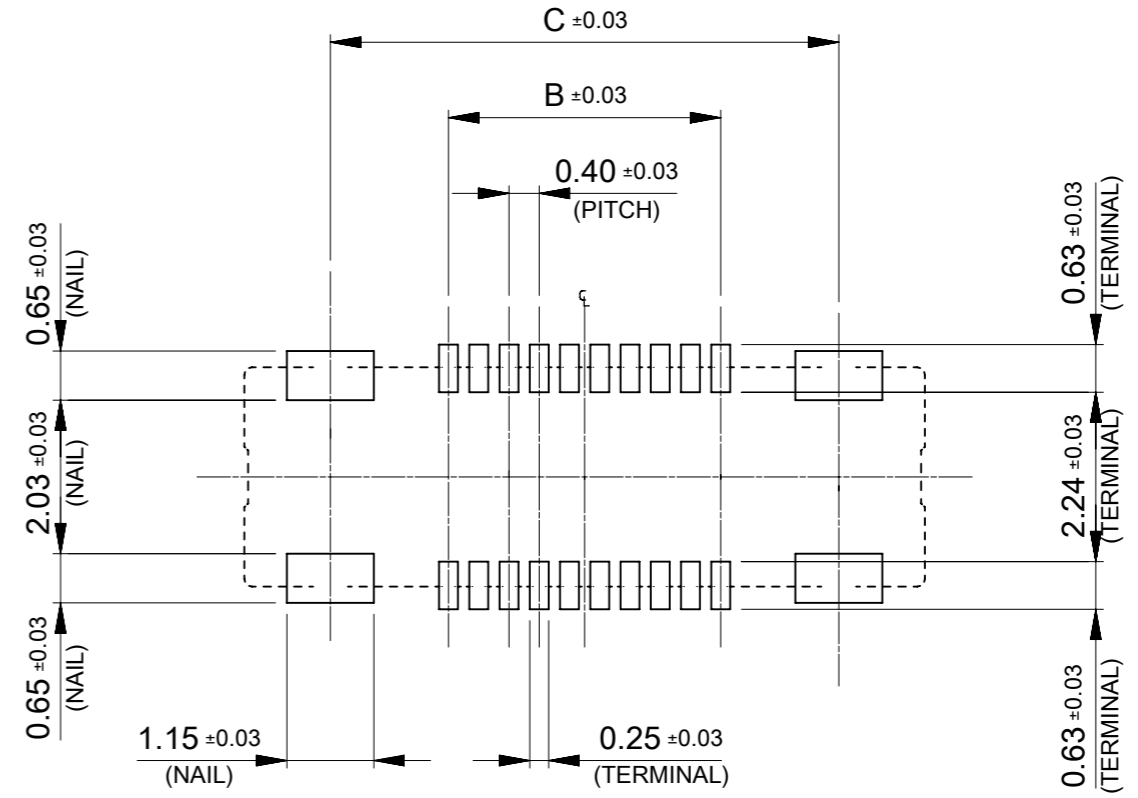
- 1 MATERIAL
HOUSING: LIQUID CRYSTAL POLYMER UL94V-0 (COLOR :BLACK)
TERMINAL: COPPER ALLOY
FITTING NAIL: COPPER ALLOY
COVER TAPE: POLYIMIDE
- 2 PLATING
TERMINAL :
CONTACT AREA: GOLD PLATING.
SOLDER TAIL AREA: GOLD PLATING.
UNDERPLATING: NICKEL OVERALL.
*DIVIDE INTO PARTS THE GOLD PLATING OF CONTACT AREA AND TAIL AREA BY THE NICKEL PLATING.
FITTING NAIL:
SURFACE:TIN OVERALL
UNDERPLATING: NICKEL OVERALL.
- 3 APPLY FOR (CIRCUIT/2)=EVEN.
- 4 MATE WITH :204927****
- 5 TAIL AND FITTING NAIL COPLANARITY TO BE 0.1MAXIMUM.
- 6 STACK HEIGHT IS KEPT FIXED BY SPACER.
- 7 COMMON LENGTH TO ALL CIRCUIT.
- 8 THIS DIMENSION SHOWS THE DIMENSION BETWEEN SOLDERING SURFACE OF SOLDER TAILS.

14.72	11.6	17	2049280602	2049280601	60
12.72	9.6	15	2049280502	2049280501	50
10.72	7.6	13	2049280402	2049280401	40
8.72	5.6	11	2049280302	2049280301	30
6.72	3.6	9	2049280202	2049280201	20
C	B	A	WITHOUT COVER TAPE	WITH COVER TAPE	CIRCUIT
			EMBOSSED TAPE PACKAGE		
ORDER NO.					

THIS DRAWING CONTAINS INFORMATION THAT IS PROPRIETARY TO MOLEX ELECTRONIC TECHNOLOGIES, LLC AND SHOULD NOT BE USED WITHOUT WRITTEN PERMISSION					
DIMENSION UNITS	SCALE	CURRENT REV DESC:			
mm	10:1	<p style="text-align: center;">molex</p> <p>0.4 FLOATING BOARD TO BOARD CONN. H=3 FSB3 PLUG ASSY</p> <p style="text-align: center;">PRODUCT CUSTOMER DRAWING</p>			
GENERAL TOLERANCES (UNLESS SPECIFIED)					
ANGULAR TOL	± 3.0°				
4 PLACES	± 0.03				
3 PLACES	± 0.03				
2 PLACES	± 0.05				
1 PLACE	± 0.1	EC NO: 663038	2020/12/21	2021/05/21	2021/05/21
0 PLACES	± 0.2	DRWN: JFURUKAWA	2018/11/26	2020/05/20	
DRAFT WHERE APPLICABLE MUST REMAIN WITHIN DIMENSIONS		THIRD ANGLE PROJECTION	DRAWING	SERIES	MATERIAL NUMBER
			A3-SIZE	204928	SEE CHART
				CUSTOMER	SHEET NUMBER
				GENERAL	1 OF 2

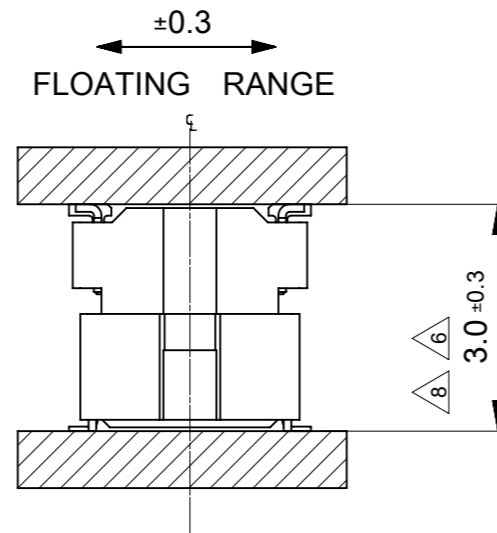
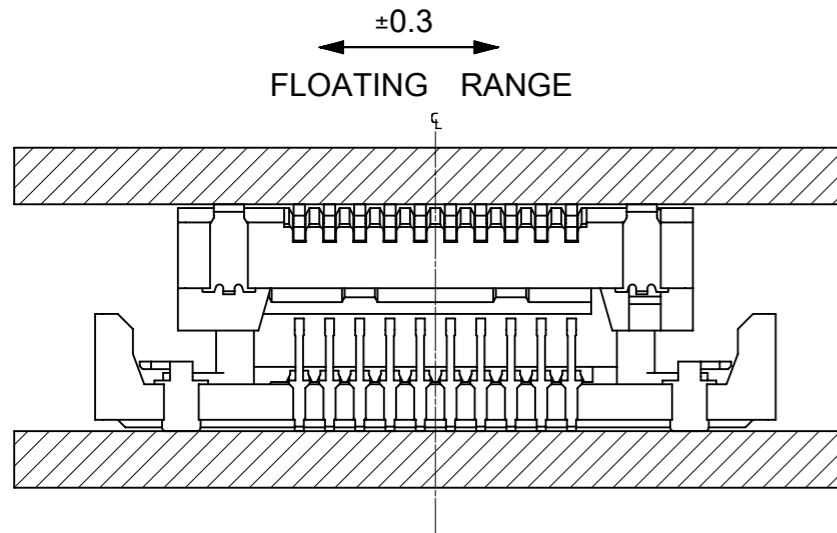


RECOMMENDED P.W.BOARD PATTERN LAYOUT(REFERENCE)



RECOMMENDED METAL MASK LAYOUT(REFERENCE)

RECOMMENDED THICKNESS OF METAL MASK : $t=0.1\text{mm}$
 RECOMMENDED OPEN APERTURE RATIO OF METAL MASK : TERMINAL 100%, NAIL 150%



THIS DRAWING CONTAINS INFORMATION THAT IS PROPRIETARY TO MOLEX ELECTRONIC TECHNOLOGIES, LLC AND SHOULD NOT BE USED WITHOUT WRITTEN PERMISSION		CURRENT REV DESC:		molex	
DIMENSION UNITS	SCALE				
mm	10:1			0.4 FLOATING BOARD TO BOARD CONN. H=3 FSB3 PLUG ASSY	
GENERAL TOLERANCES (UNLESS SPECIFIED)				PRODUCT CUSTOMER DRAWING	
ANGULAR TOL	± 3.0 °			DOCUMENT NUMBER	
4 PLACES	± 0.03	EC NO: 663038	2020/12/21	2049281000-SD	
3 PLACES	± 0.03	DRWN: AHMADI2	2021/05/21	DOC TYPE	DOC PART
2 PLACES	± 0.05	CHK'D: TKON	2021/05/21	PSD	000
1 PLACE	± 0.1	APPR: SHOSHIKAWA		REVISION	
0 PLACES	± 0.2	INITIAL REVISION:		D	
DRAFT WHERE APPLICABLE MUST REMAIN WITHIN DIMENSIONS		DRWN: JFURUKAWA	2018/11/26	SHEET NUMBER	
THIRD ANGLE PROJECTION		APPR: SHOSHIKAWA	2020/05/20	SEE CHART	GENERAL
DRAWING		SERIES	MATERIAL NUMBER	CUSTOMER	
A3-SIZE		204928	GENERAL	2 OF 2	