

**MATERIALS AND FINISHES**

**BODY: BERYLLIUM COPPER**  
**OPTION 1:**  
 PLATED GOLD (1μ-in MIN)  
 OVER NICKEL PHOSPHOR (80μ-in MIN)  
 OVER COPPER (20μ-in MIN)  
**OPTION 2:**  
 PLATED TRI-M (80μ-in MIN)

**CONTACT: BERYLLIUM COPPER**  
 PLATED GOLD (8μ-in MIN)  
 OVER NICKEL PHOSPHOR (80μ-in MIN)  
 OVER COPPER (20μ-in MIN)

**INSULATOR: PTFE**

**ELECTRICAL CHARACTERISTICS:**

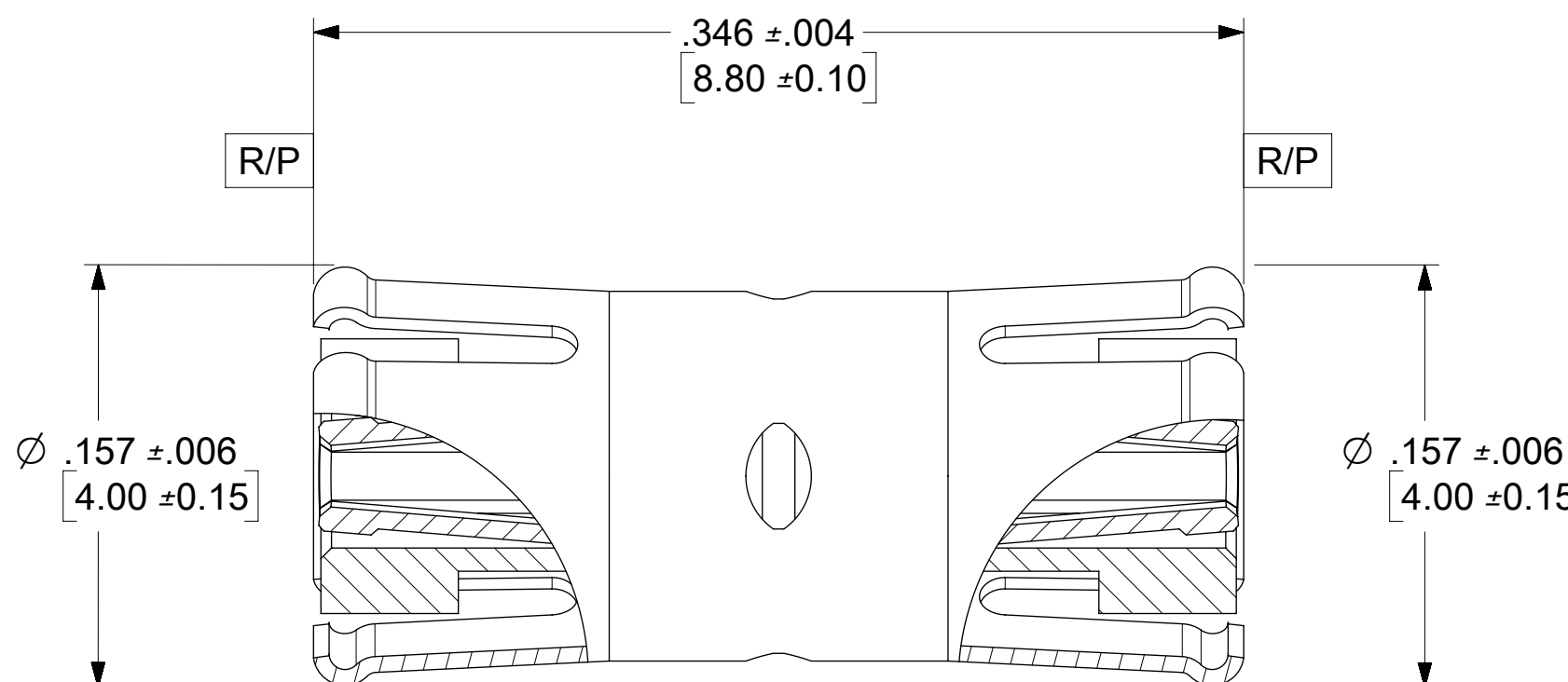
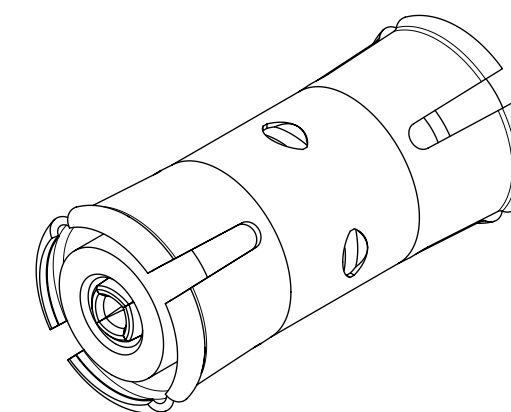
**NOMINAL IMPEDANCE:** 50Ω  
**FREQUENCY RANGE:** DC-10 GHz  
**VSWR (MAX) / RETURN LOSS (MAX)**

DC - 2 GHz	2 - 4 GHz	4 - 6 GHz
1.07 / -30 dB	1.12 / -27 dB	1.14 / -24 dB
FOR INDIVIDUAL CONNECTOR		

**INSERTION LOSS:** 0.05√F (GHz) dB MAX  
 COAXIAL TRANSMISSION LINE ONLY  
**VOLTAGE RATING:** 330 Vrms AT SEAL LEVEL  
**DIELECTRIC WITHSTANDING VOLTAGE:** 1000 Vrms  
**INSULATION RESISTANCE:** 5000 MΩ

**OTHERS:**

**POWER HANDLING**  
 300 W MIN @ 2.7 GHz AT 25°C  
 200 W MIN @ 2.7 GHz AT 85°C  
**RADIAL WORKING RANGE:** 3°  
**AXIAL WORKING RANGE:** 2.0mm OR 2.4mm  
 (SHOULD BE WITH SPECIAL RECEPTACLE FOR  
 AXIAL MISALIGNMENT ±1.2mm)



73420-6171	OPTION 2	TRAY
73420-6170	OPTION 1	
PART NO.	FINISH (BODY)	PACKAGING

PS-89675-3760	ELEC/MECH PERFORMANCE
SPECIFICATION	DESCRIPTION

A2	2019/6/17	ADD -6171 PER EWR #13159-A
REV	DATE	DESCRIPTION

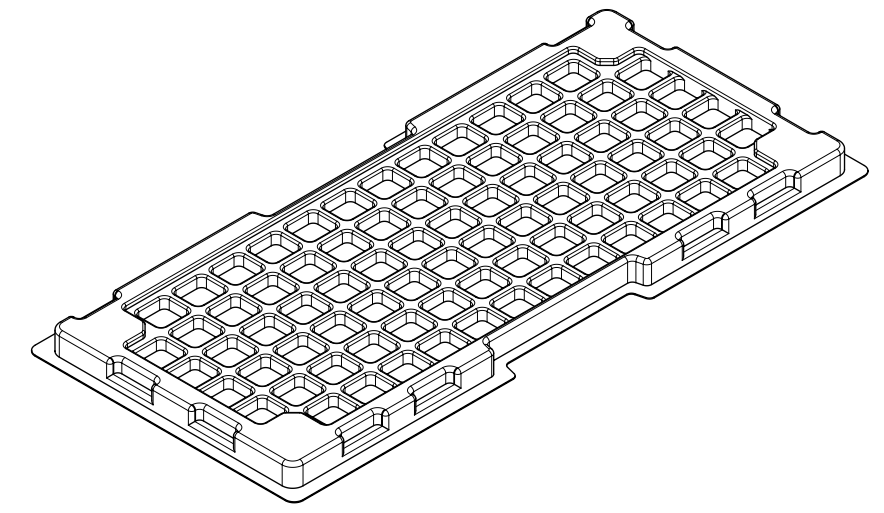
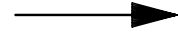
DOCUMENT STATUS	P1	RELEASE DATE	2019/07/30	03:21:19
-----------------	----	--------------	------------	----------

THIS DRAWING CONTAINS INFORMATION THAT IS PROPRIETARY TO MOLEX ELECTRONIC TECHNOLOGIES, LLC AND SHOULD NOT BE USED WITHOUT WRITTEN PERMISSION

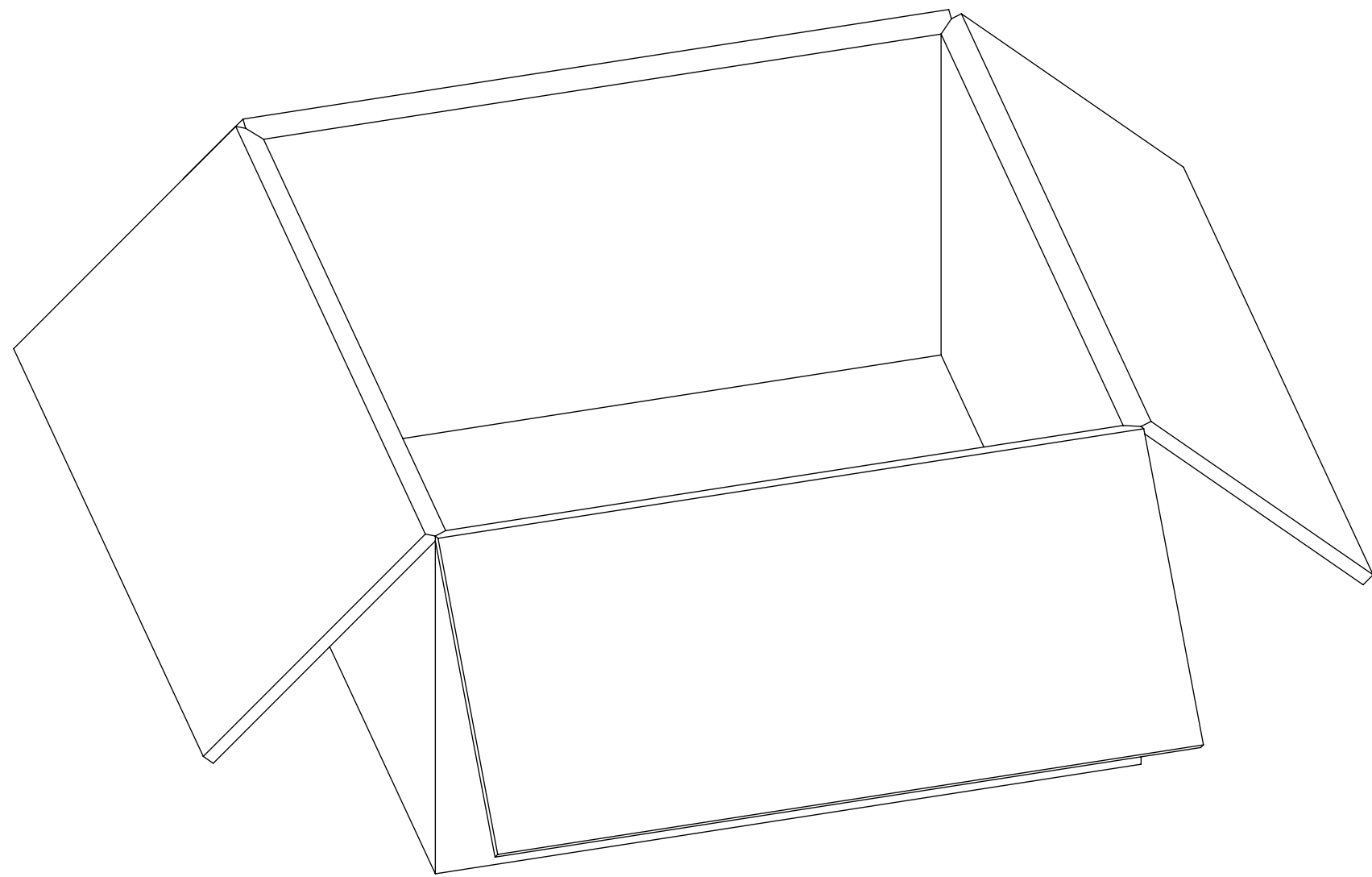
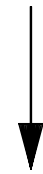
DIMENSION UNITS	SCALE	CURRENT REV DESC:		<b>molex</b>				
INCH/MM	NTS							
GENERAL TOLERANCES (UNLESS SPECIFIED)		EC NO: 620802		SMP-MAX EVO II J/J BULLET F TO F SYM 4 SLOTS L=8.8 EWR-12179				
ANGULAR TOL ± °		DRWN: RYEH 2019/06/17						
4 PLACES ±		CHK'D: YCHENG 2019/07/30		PRODUCT CUSTOMER DRAWING				
3 PLACES ±		APPR: YCHENG 2019/07/30						
2 PLACES ±		INITIAL REVISION:		DOCUMENT NUMBER				
1 PLACE ±		DRWN: RYEH 2018/05/31						
0 PLACES ±		APPR: YCHENG 2018/09/11		734206170		DOC TYPE	DOC PART	REVISION
DRAFT WHERE APPLICABLE MUST REMAIN WITHIN DIMENSIONS		THIRD ANGLE PROJECTION	DRAWING	SERIES	MATERIAL NUMBER	CUSTOMER	SHEET NUMBER	
			C-SIZE	73420	SEE TABLE		1 OF 2	



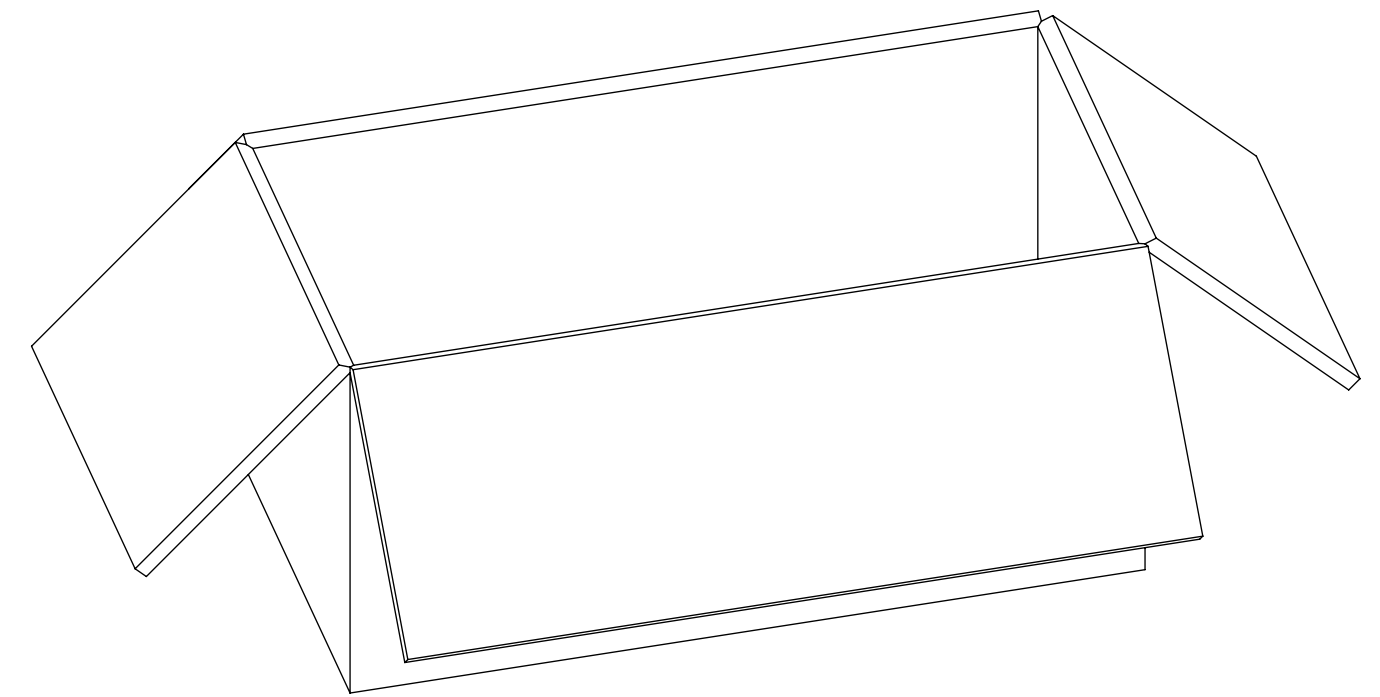
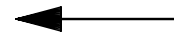
P/N:: 73420-6170  
OR  
P/N: 73420-6171



80 SETS PER TRAY  
P/N: 89707-0190



3200 SETS PER OUTER  
CARTON BOX  
P/N: 96708-0005



1600 SETS PER INNER  
CARTON BOX  
P/N: 96707-0001

THIS DRAWING CONTAINS INFORMATION THAT IS PROPRIETARY TO MOLEX ELECTRONIC TECHNOLOGIES, LLC AND SHOULD NOT BE USED WITHOUT WRITTEN PERMISSION

DIMENSION UNITS		SCALE		CURRENT REV DESC:		<b>molex</b>					
INCH/MM		NTS									
GENERAL TOLERANCES (UNLESS SPECIFIED)				EC NO: 620802		SMP-MAX EVO II J/J BULLET F TO F SYM 4 SLOTS L=8.8 EWR-12179					
ANGULAR TOL ± °				DRWN: RYEH 2019/06/17							
4 PLACES ±				CHK'D: YCHENG 2019/07/30		PRODUCT CUSTOMER DRAWING					
3 PLACES ±				APPR: YCHENG 2019/07/30							
2 PLACES ±				INITIAL REVISION:		DOCUMENT NUMBER					
1 PLACE ±				DRWN: RYEH 2018/05/31						734206170	
0 PLACES ±				APPR: YCHENG 2018/09/11		DOC TYPE					
DRAFT WHERE APPLICABLE MUST REMAIN WITHIN DIMENSIONS		THIRD ANGLE PROJECTION		DRAWING						SERIES	
				C-SIZE		73420		SEE TABLE		A2	
DOCUMENT STATUS		P1		RELEASE DATE		2019/07/30		03:21:19		SHEET NUMBER	
										2 OF 2	