

2 BAY STAC64 RIGHT ANGLE HEADER ASSEMBLY (P/N: 34708-2012 SHOWN)

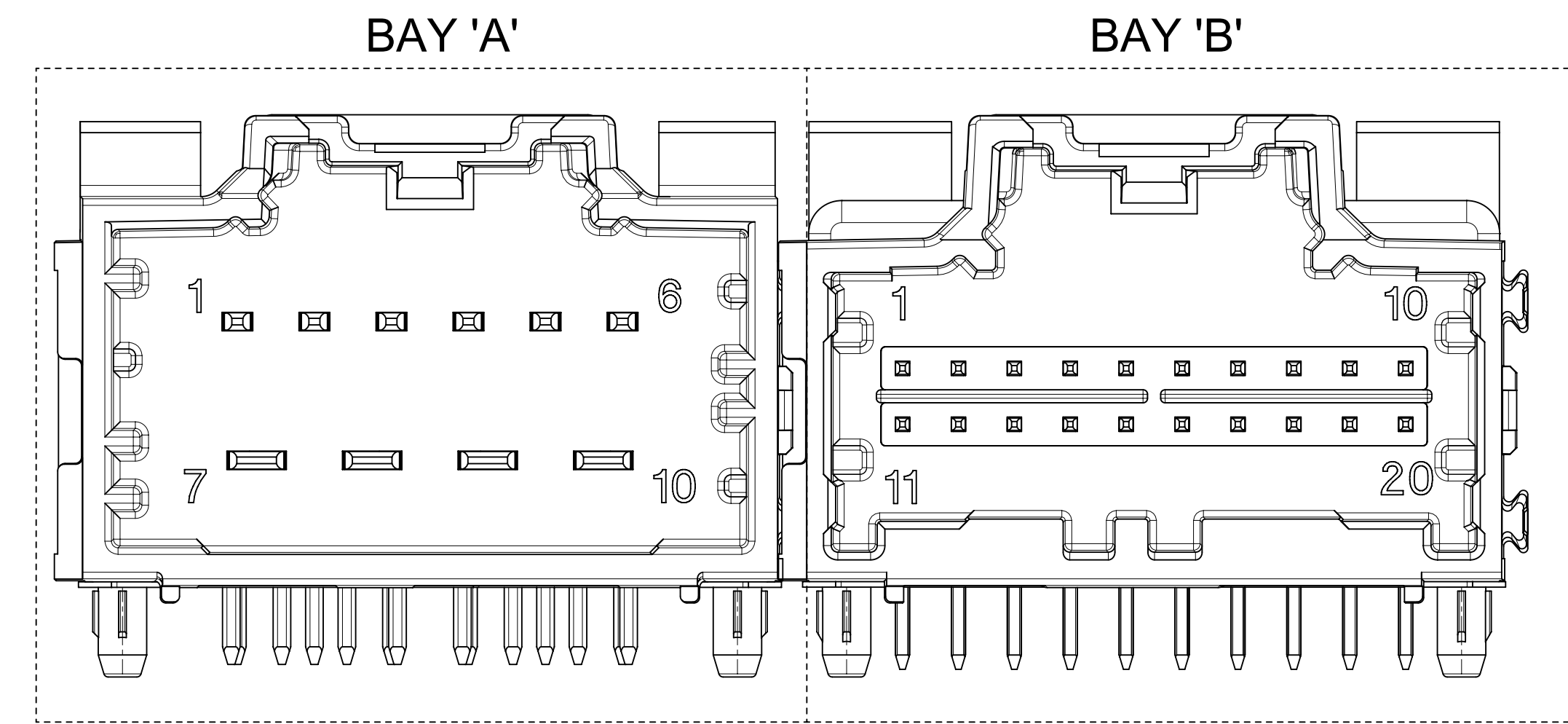


TABLE OF CONTENTS	
1	NOTES, INSPECTION BALLOON NUMBER LOG, REV. TABLE, 2 BAY ASSEMBLY VIEW
2	DIMENSIONAL CHART FOR MULTIBAY CONFIGURATION
3	DIMENSIONAL CHART FOR MULTIBAY CONFIGURATION
4	2 BAY ASSEMBLY VIEW, RECOMMENDED PCB LAYOUT, FLUSH MOUNTING VIEW, POST HOLE TABLE, DIMENSION DETAILS
5	8-20CKT 0.64MM HEADER DETAILS, 14CKT HYBRID HEADER DETAILS, 10CKT HYBRID HEADER DETAILS
6	RECOMMENDED SINGLE PCB LAYOUT FOR 10CKT HYBRID, 14CKT HYBRID, AND 8-20CKT 0.64MM

Y3 NOTES: VALID UNLESS OTHERWISE SPECIFIED

1. GENERAL:
 - a. CONNECTOR HEADER MUST BE VALIDATED TO THE FOLLOWING FUNCTIONAL REQUIREMENTS:
 PRODUCT SPECIFICATION:
 8-20 CKT 0.64 PRODUCT SPEC: PS-34729-020/PS-31408-100
 10/14 CKT HYBRID PRODUCT SPEC: PS-31372-100
 - b. APPLICATION REQUIREMENTS (REFERENCE ONLY):
 APPLICATION SPECIFICATION: AS-34729-020/AS-31408-100
 - c. PACKAGING SPECIFICATION PER MOLEX DRAWING PK-31300-892 (TRAY)
 - d. PACKAGING SPECIFICATION PER MOLEX DRAWING PK-31301-063 (TUBE)
 - e. PACKAGING SPECIFICATION PER MOLEX DRAWING PK-31300-894 (ALT TRAY)
2. MATERIALS:
 - a. SHROUD (PLASTIC HOUSING):
 RESIN - SPS
 COLOR:
 POL A - BLACK
 POL B - GRAY
 POL C - BROWN
 POL D - GREEN
 - b. 0.64mm PINS:
 BASE MATERIAL: COPPER ALLOY
 PLATING TYPE: AS NOTED
 1.5/2.8mm BLADES:
 BASE MATERIAL: COPPER ALLOY
 PLATING TYPE: AS NOTED
3. PLATING REQUIREMENTS:
 - a. UNDERPLATING - OVERALL NICKEL
 - b. OVERPLATING - OVERALL TIN
4. FOR ADDITIONAL INFORMATION AND DIMENSIONS OF INDIVIDUAL BAYS REFER TO THE FOLLOWING SINGLE BAY DRAWINGS:
 8-20 CKT 0.64: SD-34691-100
 10 CKT HYBRID: SD-34696-100
 14 CKT HYBRID: SD-34773-010
5. G DENOTES DIMENSIONS THAT MAY BE QUALIFIED WITH A GAUGE.


Y5	ADDED P/NS 34708-2051 AND 34708-2052 IN SHEET 3	679095	2021.09
Y4	ADDED P/N 34708-2049 IN SHEET 3	670800	2021.07
Y3	1. UPDATED NOTES 2. ADDED NEW P/NS 34708-2048 AND 34708-7048 IN SHEET 3	662724	2021.05
REV.	REV. DESCRIPTION	EC#	DATE

INSPECTION BALLOON NUMBER LOG	
PER DRAWING REVISION:	Y5
LAST BALLOON NUMBER USED:	55
ADDED BALLOON NUMBERS:	
REMOVED BALLOON NUMBERS:	

FUNCTIONAL SYMBOLS FA = 0 FC = 0 FP = 0	THIS DRAWING CONTAINS INFORMATION THAT IS PROPRIETARY TO MOLEX ELECTRONIC TECHNOLOGIES, LLC AND SHOULD NOT BE USED WITHOUT WRITTEN PERMISSION	DIMENSION UNITS: mm SCALE: 4:1	CURRENT REV DESC: EC NO: 679095 DRWN: CZHANG118 2021/09/27 CHK'D: CDZHANG 2021/10/08 APPR: CDZHANG 2021/10/08			
	GENERAL TOLERANCES (UNLESS SPECIFIED) ANGULAR TOL ± 3.0°	4 PLACES ± 3 PLACES ± 2 PLACES ± 0.13 1 PLACE ± 0.25 0 PLACES ±	INITIAL REVISION: DRWN: MBAILEY 2008/08/14 APPR: SMARCEAU 2008/08/14	PRODUCT CUSTOMER DRAWING		
	DRAFT WHERE APPLICABLE MUST REMAIN WITHIN DIMENSIONS	THIRD ANGLE PROJECTION	D-DRAWING: D-SIZE SERIES: 34708	DOCUMENT NUMBER: SD-34708-200 DOC TYPE: PSD DOC PART: 001 REVISION: Y5	MATERIAL NUMBER: SEE CHART CUSTOMER: GENERAL MARKET	SHEET NUMBER: 1 OF 6
			D-DRAWING: D-SIZE SERIES: 34708	MATERIAL NUMBER: SEE CHART CUSTOMER: GENERAL MARKET	SHEET NUMBER: 1 OF 6	

DIMENSIONAL CHART FOR MULTIBAY CONFIGURATION:

2 BAY PART NUMBER (ALT TRAY)	2 BAY PART NUMBER (TUBE PKG)	2 BAY PART NUMBER (TRAY PKG)	BAY A			BAY B			DIM 'A'	DIM 'B'	DIM 'C'	DIM 'D'
			CKT	TYPE	POL	CKT	TYPE	POL				
TBD	34708-7000	34708-2000	20	0.64mm	A	20	0.64mm	B	66.94	64.47	27.94	27.94
TBD	TBD	34708-2001	20	0.64mm	B	20	0.64mm	C	66.94	64.47	27.94	27.94
TBD	TBD	34708-2002	20	0.64mm	C	20	0.64mm	D	66.94	64.47	27.94	27.94
TBD	34708-7003	34708-2003	20	0.64mm	C	8	0.64mm	A	51.70	49.23	27.94	12.70
TBD	34708-7004	34708-2004	20	0.64mm	C	12	0.64mm	A	56.78	54.31	27.94	17.78
TBD	TBD	34708-2005	14	HYBRID	C	20	0.64mm	C	66.94	64.47	27.94	27.94
TBD	TBD	34708-2006	16	0.64mm	B	20	0.64mm	B	61.86	59.39	22.86	27.94
TBD	TBD	34708-2007	16	0.64mm	C	20	0.64mm	C	61.86	59.39	22.86	27.94
TBD	TBD	34708-2008	20	0.64mm	A	20	0.64mm	C	66.94	64.47	27.94	27.94
TBD	TBD	34708-2009	8	0.64mm	A	8	0.64mm	B	36.46	33.99	12.70	12.70
TBD	TBD	34708-2010	12	0.64mm	A	10	HYBRID	B	56.78	54.31	17.78	27.94
TBD	TBD	34708-2011	20	0.64mm	C	20	0.64mm	B	66.94	64.47	27.94	27.94
TBD	TBD	34708-2012	10	HYBRID	A	20	0.64mm	C	66.94	64.47	27.94	27.94
TBD	TBD	34708-2013	12	0.64mm	A	20	0.64mm	B	56.78	54.31	17.78	27.94
TBD	TBD	34708-2014	14	HYBRID	C	20	0.64mm	B	66.94	64.47	27.94	27.94
TBD	TBD	34708-2015	20	0.64mm	B	14	HYBRID	C	66.94	64.47	27.94	27.94
TBD	TBD	34708-2016	12	0.64mm	B	20	0.64mm	D	56.78	54.31	17.78	27.94
TBD	TBD	34708-2017	16	0.64mm	A	8	0.64mm	C	46.62	44.15	22.86	12.70
TBD	TBD	34708-2018	12	0.64mm	A	16	0.64mm	A	51.70	49.23	22.86	17.78
TBD	TBD	34708-2019	20	0.64mm	A	12	0.64mm	A	56.78	54.31	27.94	17.78
TBD	34708-7012	34708-2020	10	HYBRID	A	16	0.64mm	A	61.86	59.39	27.94	22.86
TBD	TBD	34708-2021	16	0.64mm	B	16	0.64mm	A	56.78	54.31	22.86	22.86
TBD	TBD	34708-2022	20	0.64mm	C	10	HYBRID	A	66.94	64.47	27.94	27.94
TBD	TBD	34708-2023	20	0.64mm	A	20	0.64mm	C	66.94	64.47	27.94	27.94
TBD	TBD	34708-2024	8	0.64mm	A	10	HYBRID	A	51.70	49.23	12.70	27.94
TBD	TBD	34708-2025	8	0.64mm	B	10	HYBRID	A	51.70	49.23	12.70	27.94
TBD	TBD	34708-2026	16	0.64mm	A	20	0.64mm	A	61.86	59.39	22.86	27.94
TBD	TBD	34708-2027	8	0.64mm	B	8	0.64mm	B	36.46	33.99	12.70	12.70
TBD	TBD	34708-2028	16	0.64mm	A	8	0.64mm	A	46.62	44.15	22.86	12.70
TBD	TBD	34708-2029	12	0.64mm	A	12	0.64mm	B	46.62	44.15	17.78	17.78
TBD	34708-7030	34708-2030	10	HYBRID	B	10	HYBRID	A	66.94	64.47	27.94	27.94
TBD	TBD	34708-2031	12	0.64mm	B	12	0.64mm	A	46.62	44.15	17.78	17.78
TBD	TBD	34708-2032	20	0.64mm	D	16	0.64mm	B	61.68	59.39	27.94	22.86
TBD	TBD	34708-2033	20	0.64mm	D	16	0.64mm	C	61.86	59.39	27.94	22.86
TBD	TBD	34708-2034	16	0.64mm	B	20	0.64mm	D	61.68	59.39	22.86	27.94
TBD	TBD	34708-2035	16	0.64mm	C	20	0.64mm	D	61.86	59.39	22.86	27.94
TBD	TBD	34708-2036	8	0.64mm	C	16	0.64mm	C	46.62	44.15	12.70	22.86
34708-7537	TBD	34708-2037	16	0.64mm	A	10	HYBRID	B	61.86	59.39	22.86	27.94
34708-7538	TBD	34708-2038	10	HYBRID	A	16	0.64mm	C	61.86	59.39	27.94	22.86
TBD	TBD	34708-2039	14	HYBRID	A	20	0.64mm	D	66.94	64.47	27.94	27.94
TBD	TBD	34708-2040	20	0.64mm	A	8	0.64mm	A	51.70	49.23	27.94	12.70
TBD	TBD	34708-2041	12	0.64mm	B	16	0.64mm	A	51.70	49.23	17.78	22.86
TBD	TBD	34708-2042	16	0.64mm	A	16	0.64mm	A	56.78	54.31	22.86	22.86
TBD	TBD	34708-2043	20	0.64mm	B	20	0.64mm	A	66.94	64.47	27.94	27.94
TBD	TBD	34708-2044	10	HYBRID	A	10	HYBRID	B	66.94	64.47	27.94	27.94
TBD	TBD	34708-2045	20	0.64mm	A	14	HYBRID	B	66.94	64.47	27.94	27.94
TBD	TBD	34708-2046	20	0.64mm	C	14	HYBRID	A	66.94	64.47	27.94	27.94

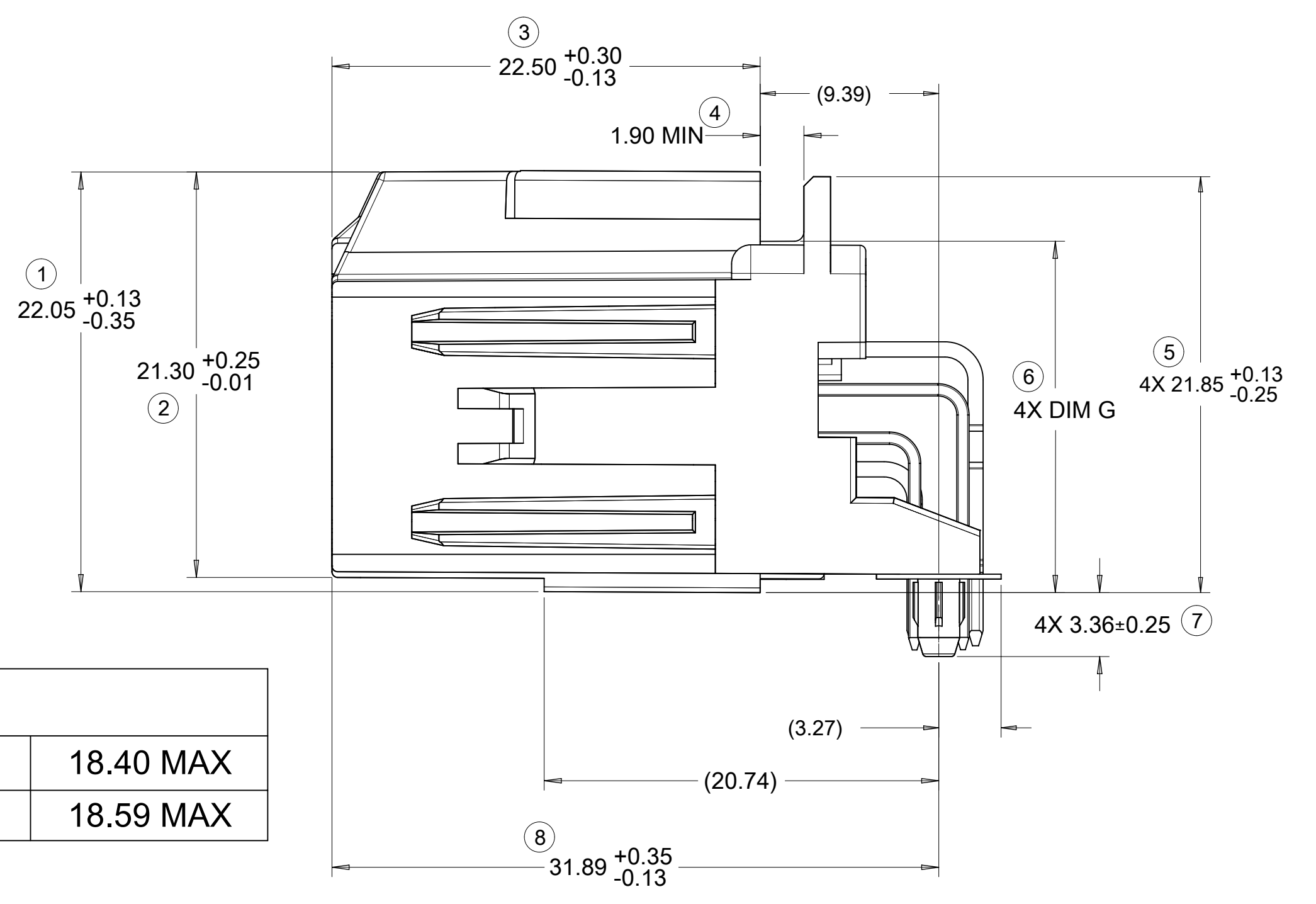
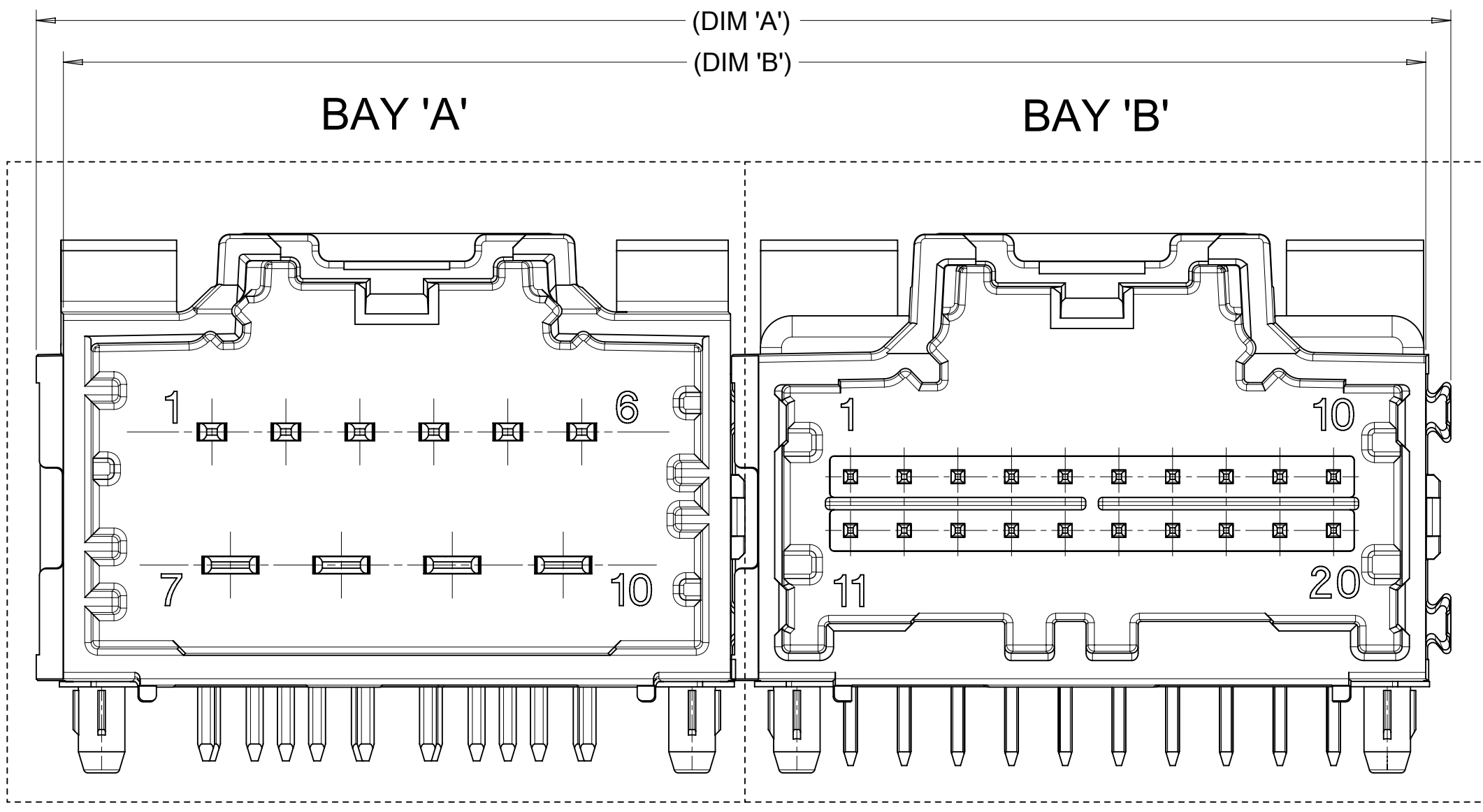
FUNCTIONAL SYMBOLS FA = 0 FE = 0 FP = 0	THIS DRAWING CONTAINS INFORMATION THAT IS PROPRIETARY TO MOLEX ELECTRONIC TECHNOLOGIES, LLC AND SHOULD NOT BE USED WITHOUT WRITTEN PERMISSION		CURRENT REV DESC:		 <p align="center">2-BAY STAC64 RIGHT ANGLE HEADER ASSEMBLY SALES DRAWING</p> <p align="center">PRODUCT CUSTOMER DRAWING</p>
	DIMENSION UNITS	SCALE	EC NO: 679095 DRWN: CZHANG118 2021/09/27 CHK'D: CDZHANG 2021/10/08 APPR: CDZHANG 2021/10/08		
DIVISIONAL SYMBOLS	GENERAL TOLERANCES (UNLESS SPECIFIED)		INITIAL REVISION:		DOCUMENT NUMBER: SD-34708-200 PSD 001 Y5 DRWN: MBAILEY 2008/08/14 APPR: SMARCEAU 2008/08/14
	ANGULAR TOL ± 3.0°		MATERIAL NUMBER: SEE CHART		
	4 PLACES ±	CUSTOMER: GENERAL MARKET		SHEET NUMBER: 2 OF 6	
	3 PLACES ±	DRAWING: D-SIZE			
2 PLACES ± 0.13	SERIES: 34708				
1 PLACE ± 0.25	THIRD ANGLE PROJECTION				
0 PLACES ±	DRAFT WHERE APPLICABLE MUST REMAIN WITHIN DIMENSIONS				

DIMENSIONAL CHART FOR MULTIBAY CONFIGURATION:

2 BAY PART NUMBER (ALT TRAY)	2 BAY PART NUMBER (TUBE PKG)	2 BAY PART NUMBER (TRAY PKG)	BAY A			BAY B			DIM 'A'	DIM 'B'	DIM 'C'	DIM 'D'
			CKT	TYPE	POL	CKT	TYPE	POL				
TBD	TBD	34708-2050	20	0.64mm	A	16	0.64mm	A	61.86	59.39	27.94	22.86
TBD	TBD	34708-2060	10	HYBRID	B	16	0.64mm	A	61.86	59.39	27.94	22.86
TBD	TBD	34708-2070	16	0.64mm	A	12	0.64mm	A	51.70	49.23	22.86	17.78
TBD	TBD	34708-2080	16	0.64mm	A	16	0.64mm	B	56.78	54.31	22.86	22.86
TBD	TBD	34708-2090	16	0.64mm	B	16	0.64mm	C	56.78	54.31	22.86	22.86
TBD	TBD	34708-2047	8	0.64mm	A	20	0.64mm	A	51.70	49.23	12.70	27.94
Y3 TBD	34708-7048	34708-2048	10	HYBRID	A	20	0.64mm	D	66.94	64.47	27.94	27.94
Y4 TBD	TBD	34708-2049	14	HYBRID	A	14	HYBRID	B	66.94	64.47	27.94	27.94
Y5 TBD	TBD	34708-2051	14	HYBRID	A	12	0.64mm	A	56.78	54.31	27.94	17.78
Y5 TBD	TBD	34708-2052	14	HYBRID	C	12	0.64mm	B	56.78	54.31	27.94	17.78

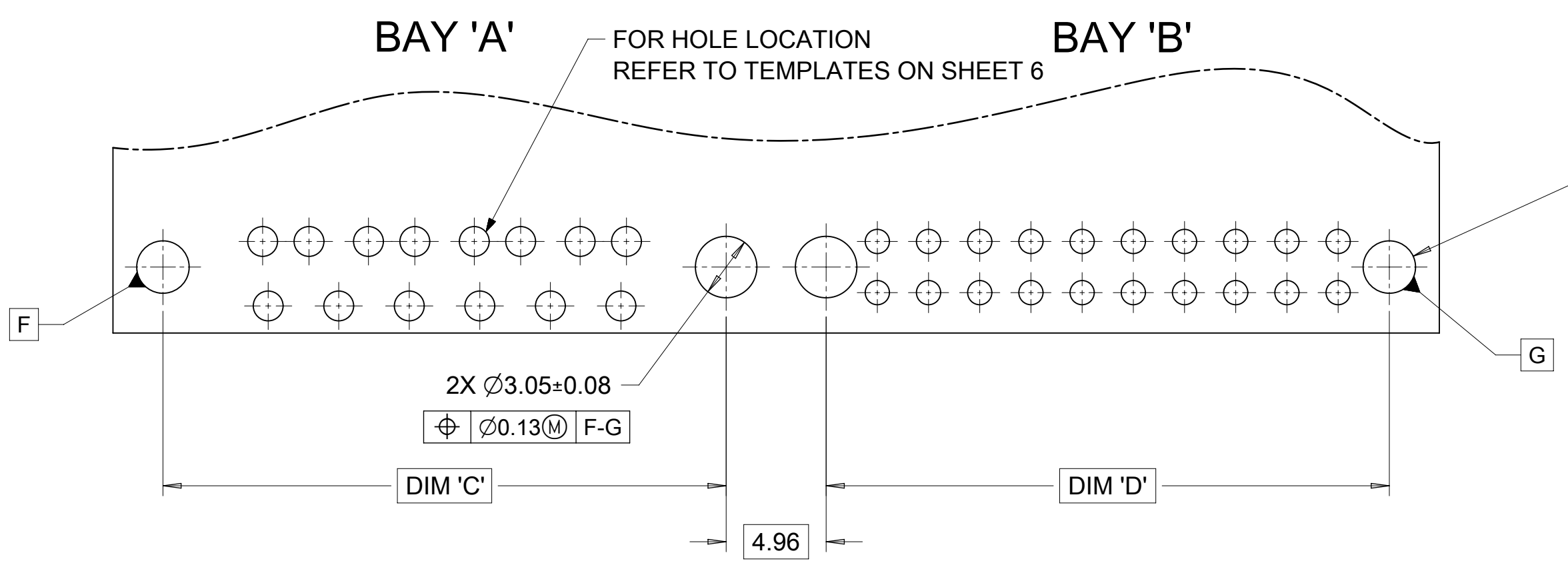
FUNCTIONAL SYMBOLS FA = 0 FC = 0 FP = 0 DIVISIONAL SYMBOLS	THIS DRAWING CONTAINS INFORMATION THAT IS PROPRIETARY TO MOLEX ELECTRONIC TECHNOLOGIES, LLC AND SHOULD NOT BE USED WITHOUT WRITTEN PERMISSION																	
	DIMENSION UNITS: mm SCALE: 4:1			CURRENT REV DESC:														
	GENERAL TOLERANCES (UNLESS SPECIFIED)			EC NO: 679095														
	ANGULAR TOL ± 3.0°			4 PLACES ±				DRWN: CZHANG118 2021/09/27				2-BAY STAC64 RIGHT ANGLE HEADER ASSEMBLY SALES DRAWING						
				3 PLACES ±				CHK'D: CDZHANG 2021/10/08								PRODUCT CUSTOMER DRAWING		
				2 PLACES ± 0.13				APPR: CDZHANG 2021/10/08				INITIAL REVISION: DRWN: MBAILEY 2008/08/14 APPR: SMARCEAU 2008/08/14						
			1 PLACE ± 0.25				DOCUMENT NUMBER: SD-34708-200				DOC TYPE: PSD					DOC PART: 001		REVISION: Y5
0 PLACES ±			DRAFT WHERE APPLICABLE MUST REMAIN WITHIN DIMENSIONS				THIRD ANGLE PROJECTION		DRAWING: D-SIZE		SERIES: 34708		MATERIAL NUMBER: SEE CHART		CUSTOMER: GENERAL MARKET		SHEET NUMBER: 3 OF 6	

TABLE OF CONTENTS	
2	BAY ASSEMBLY VIEW, RECOMMENDED PCB LAYOUT, FLUSH MOUNTING VIEW, POST HOLE TABLE, DIMENSION DETAILS



FOR DIM G:	
8-20CKT 0.64mm	18.40 MAX
10/14CKT Hybrid	18.59 MAX

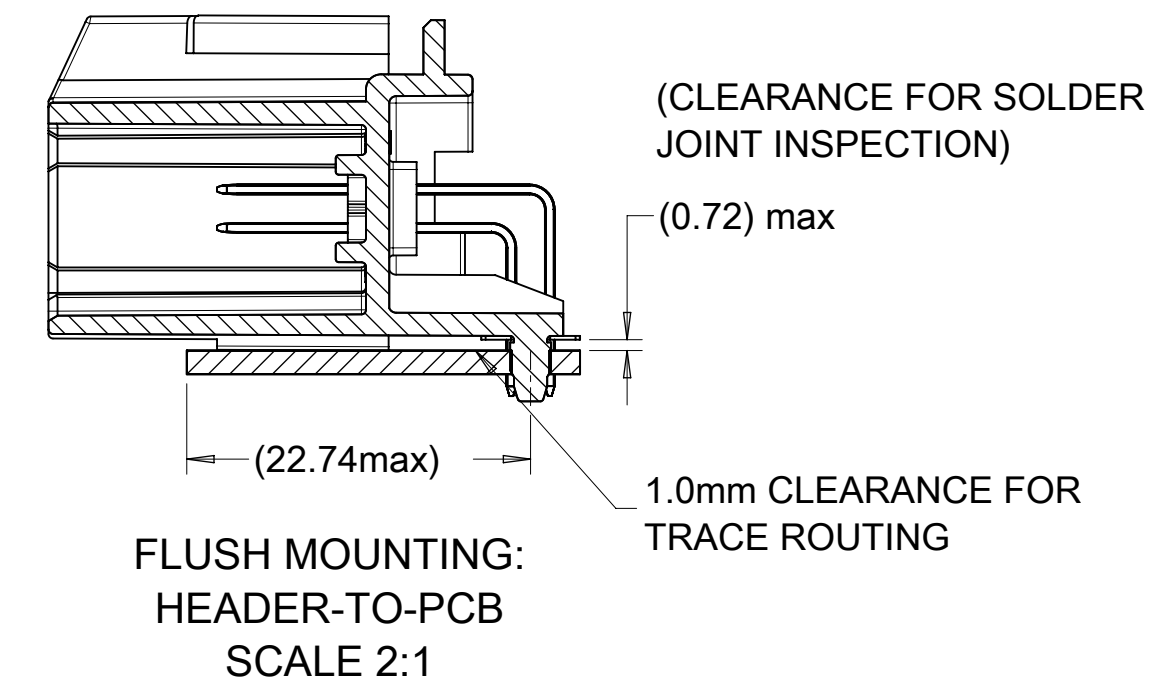
RECOMMENDED PCB LAYOUT
INSERT NECESSARY BAYS USING CHART ON SHEET 2 AND 3



POST HOLE TABLE:

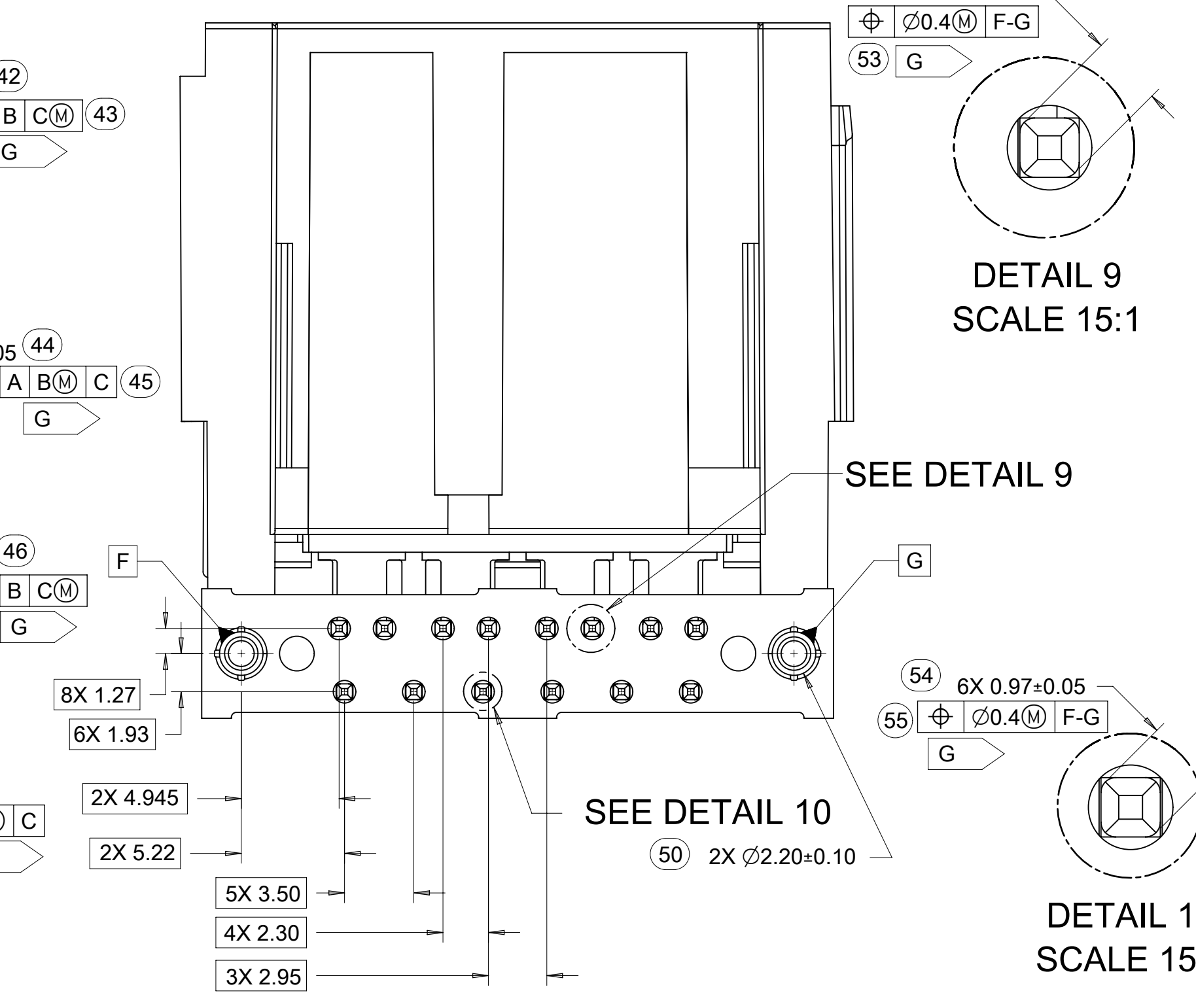
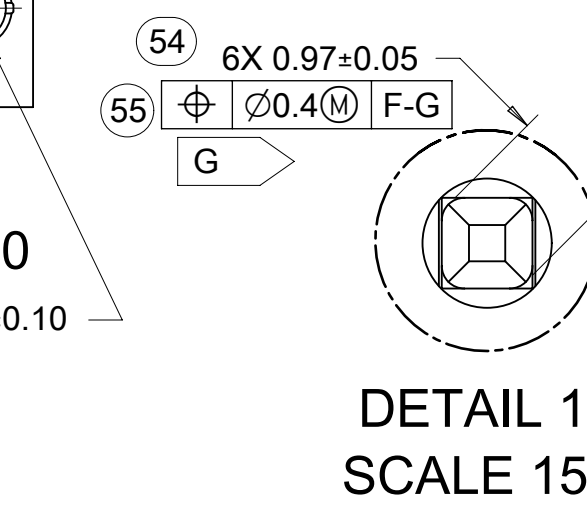
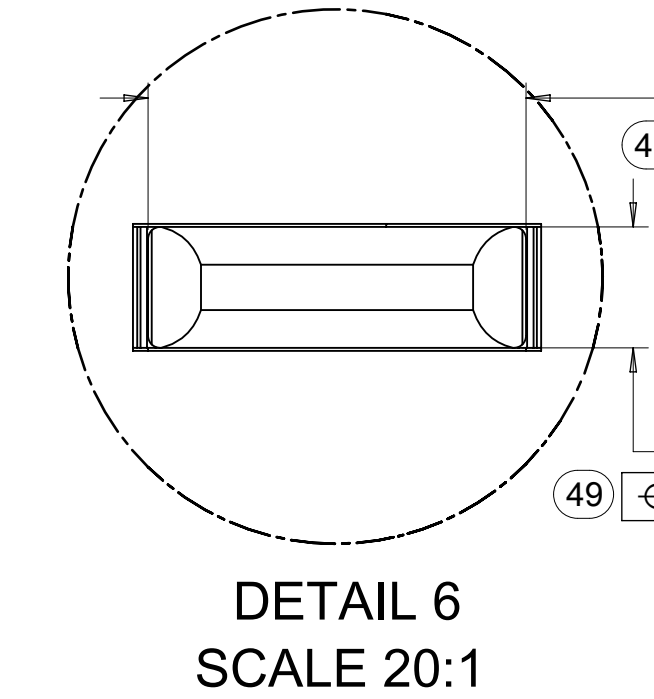
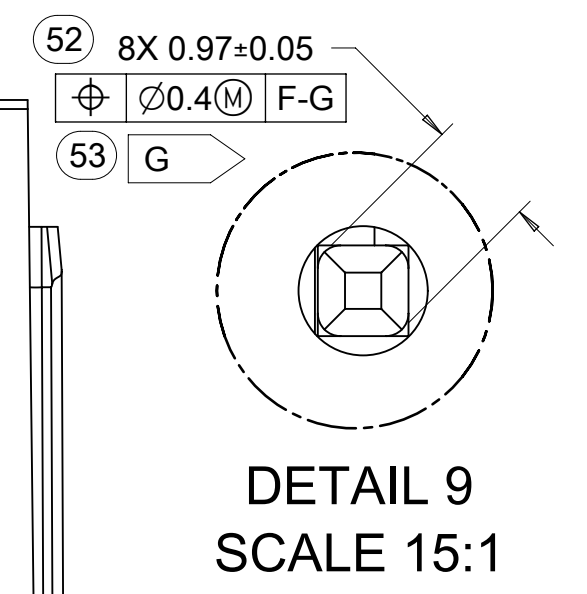
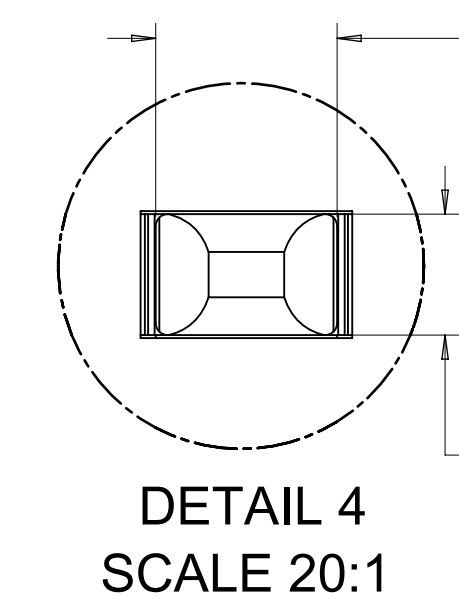
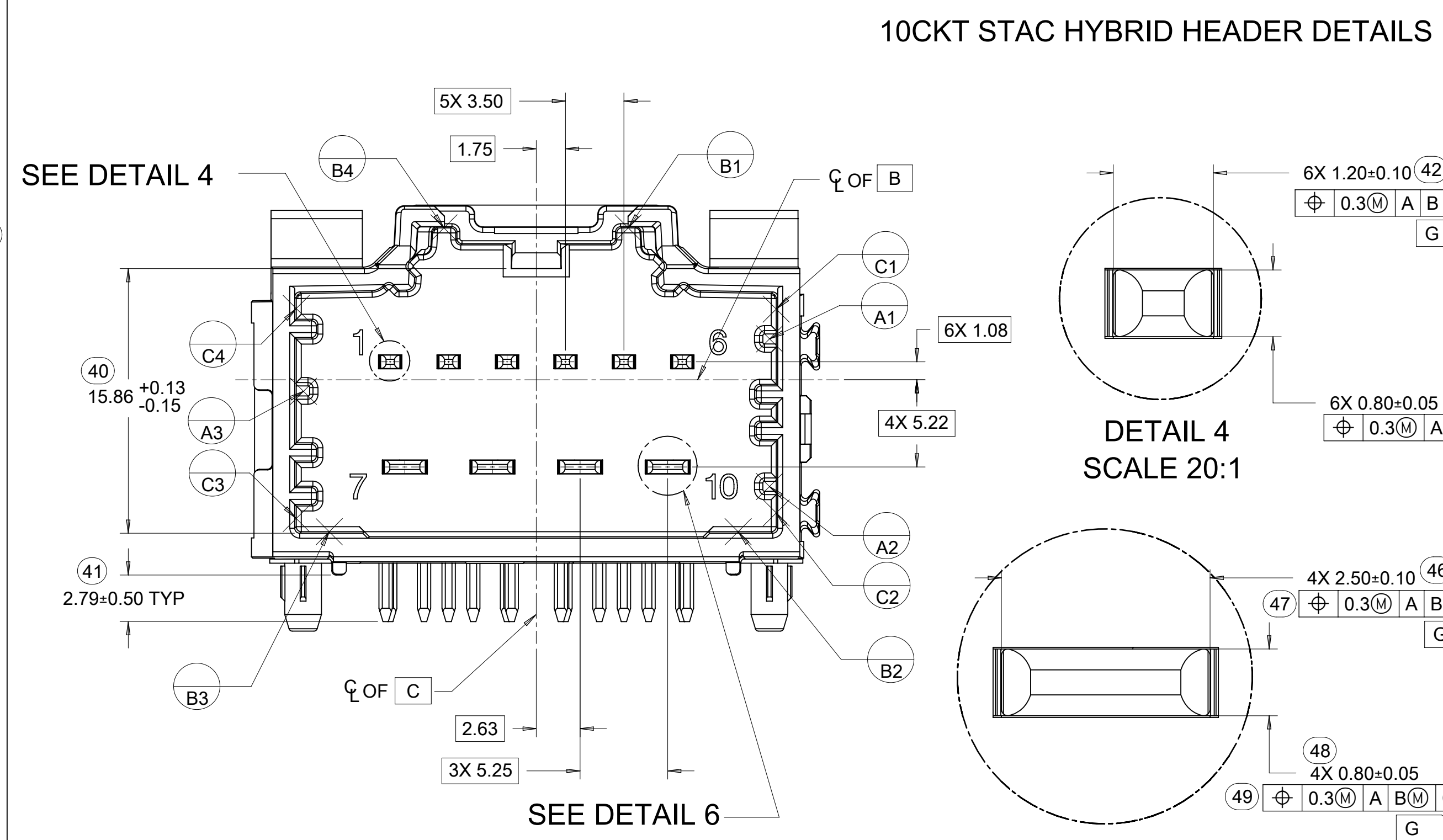
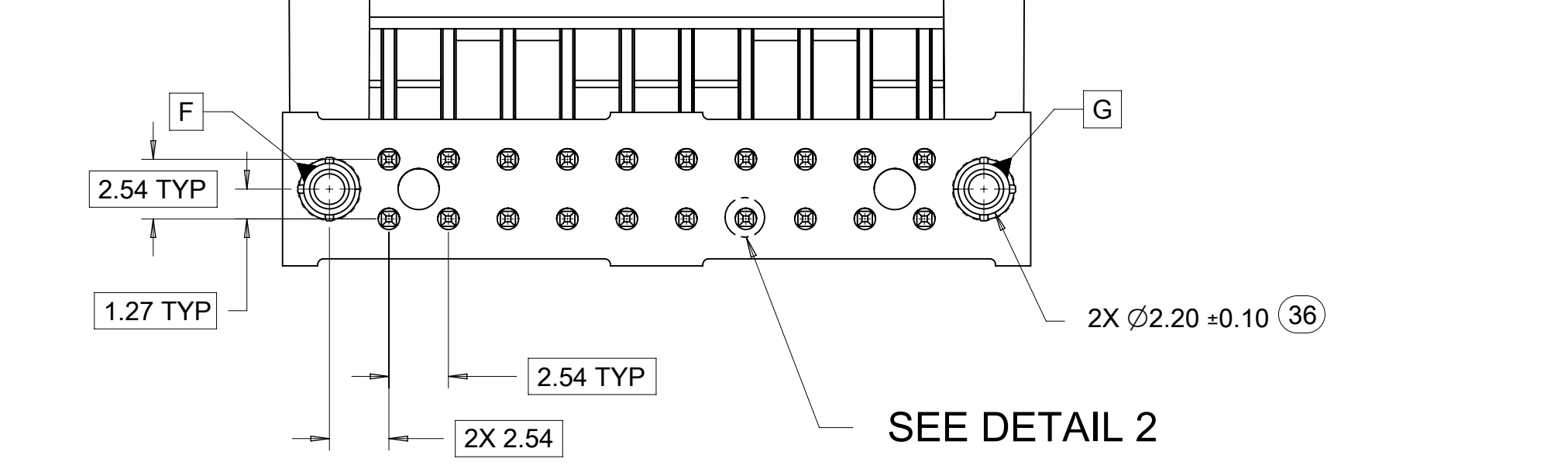
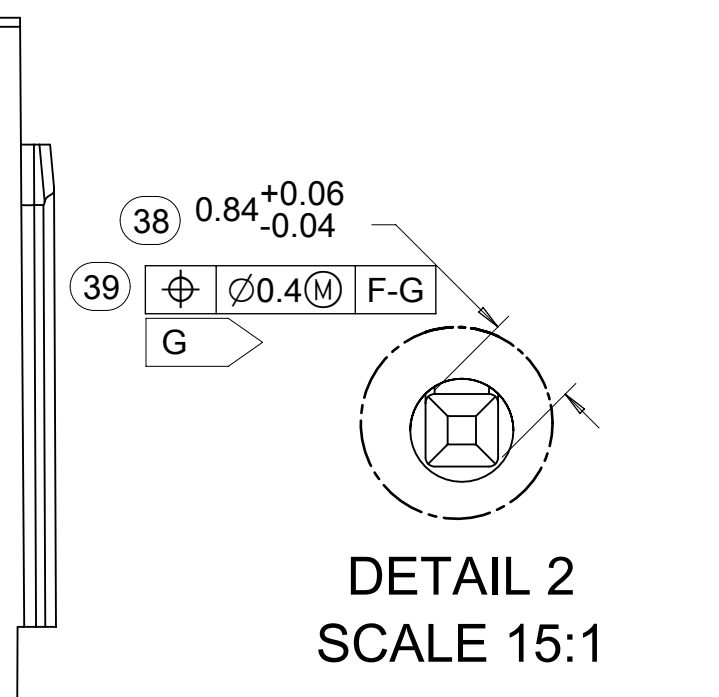
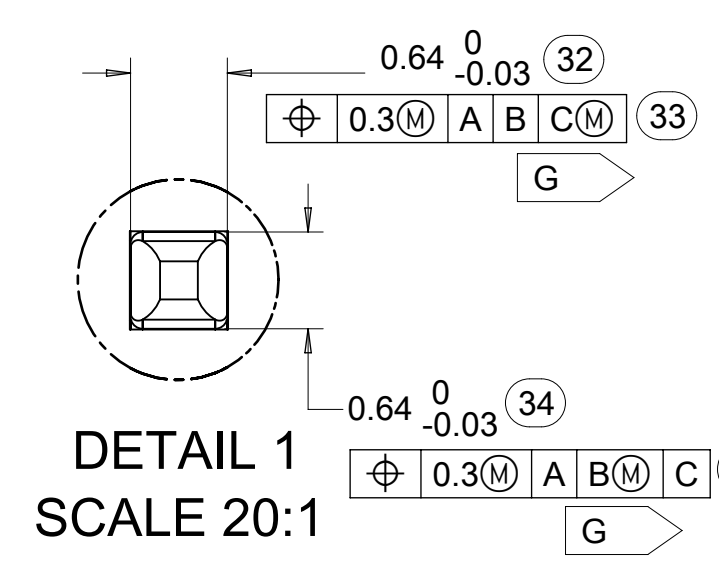
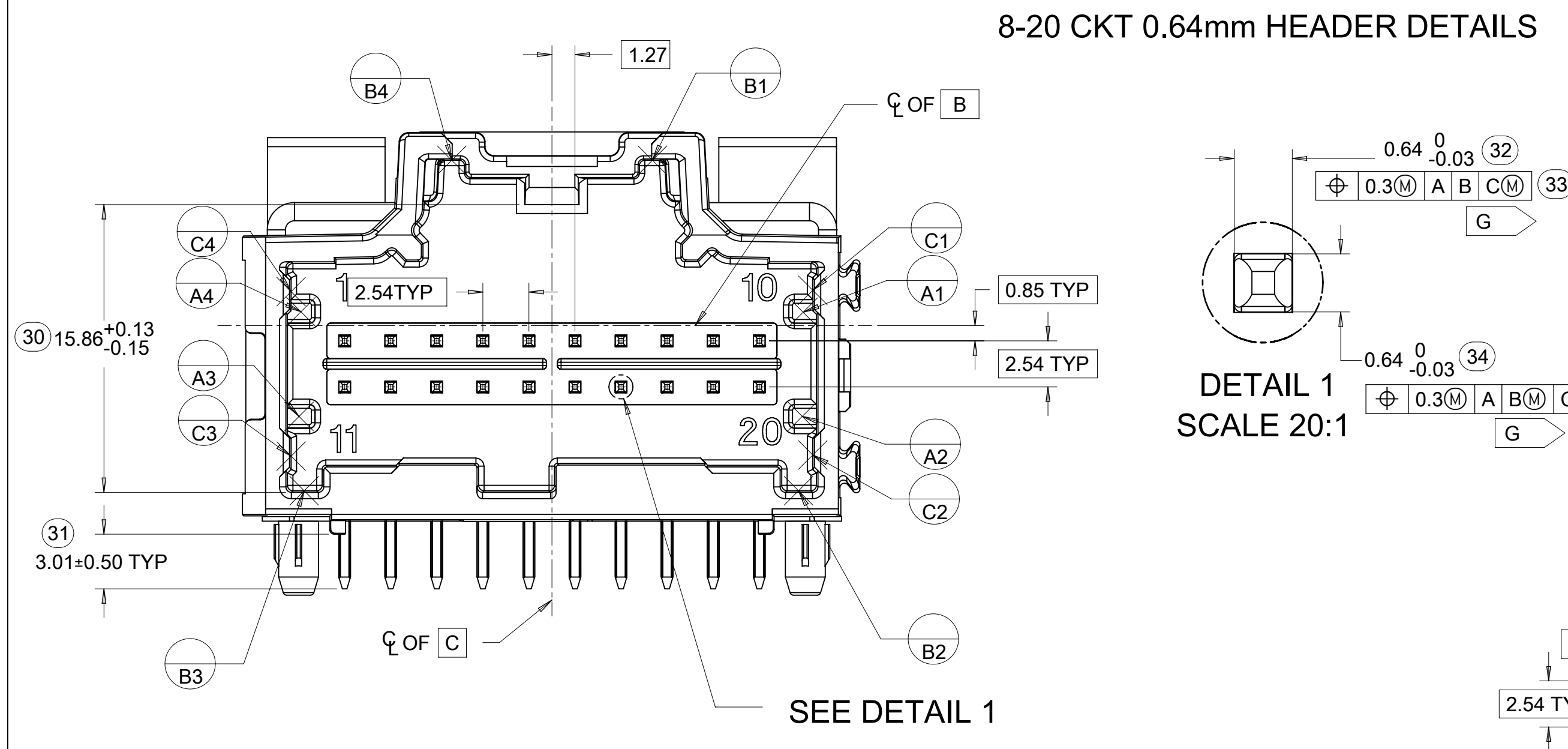
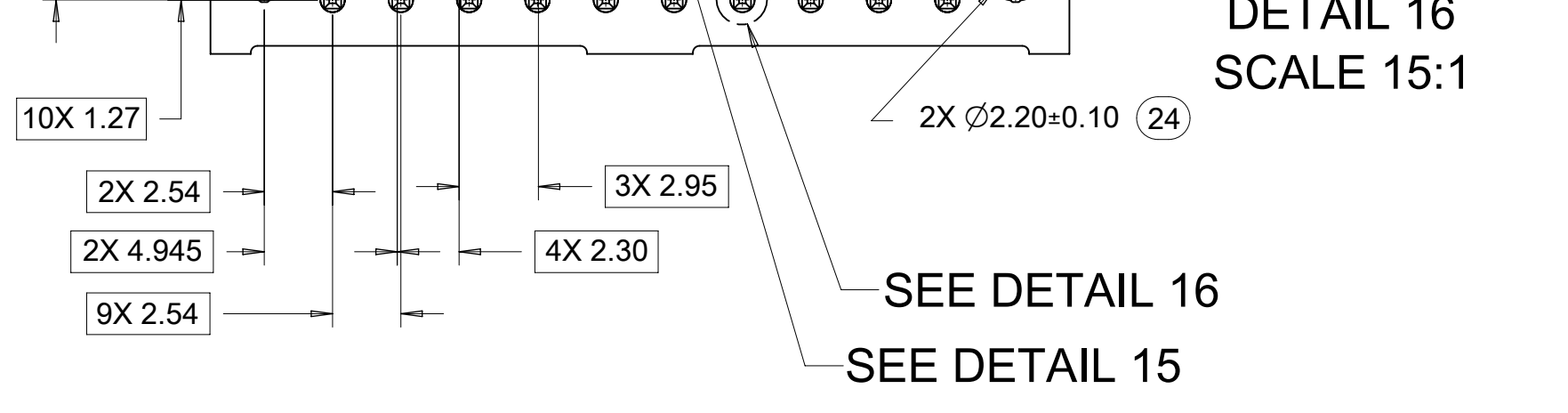
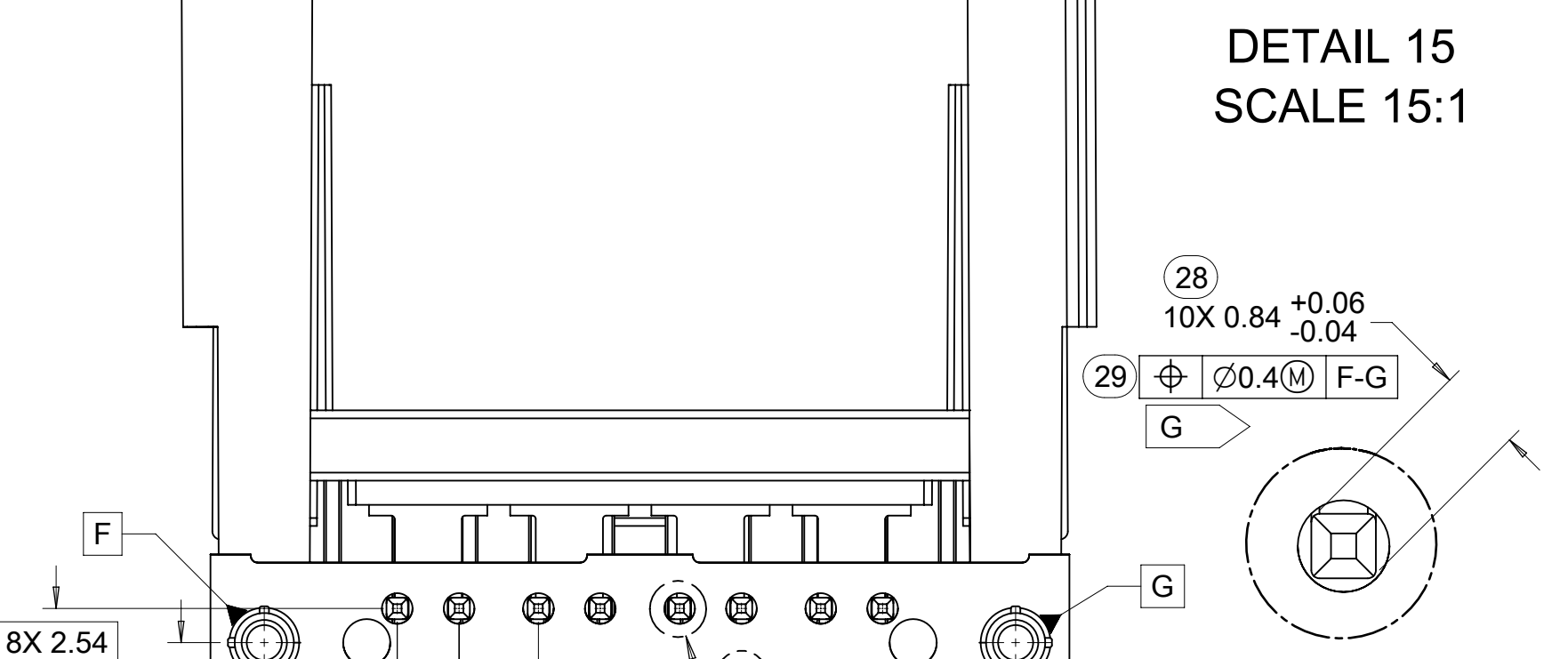
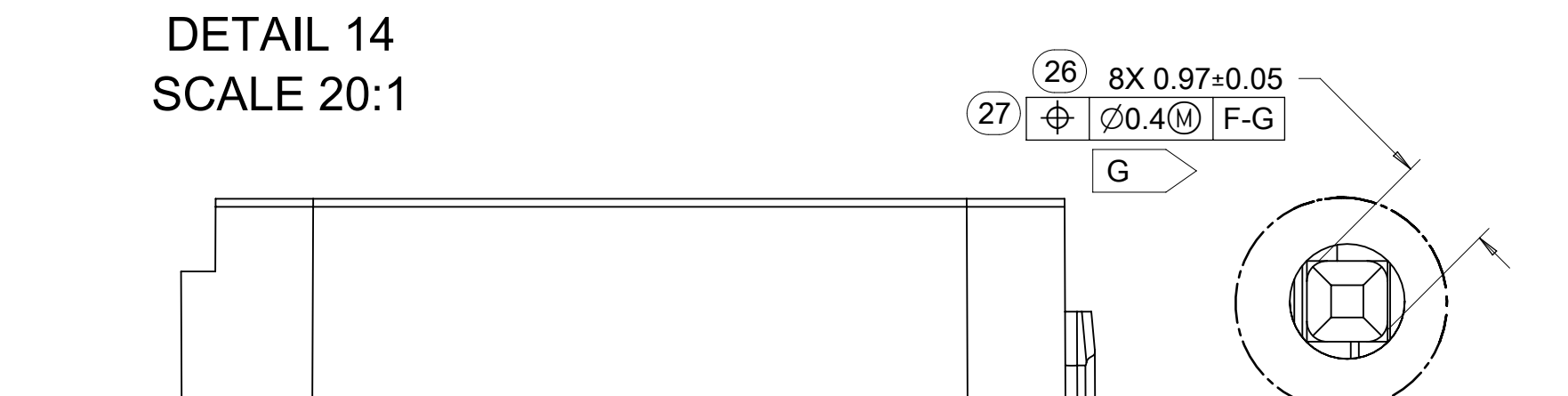
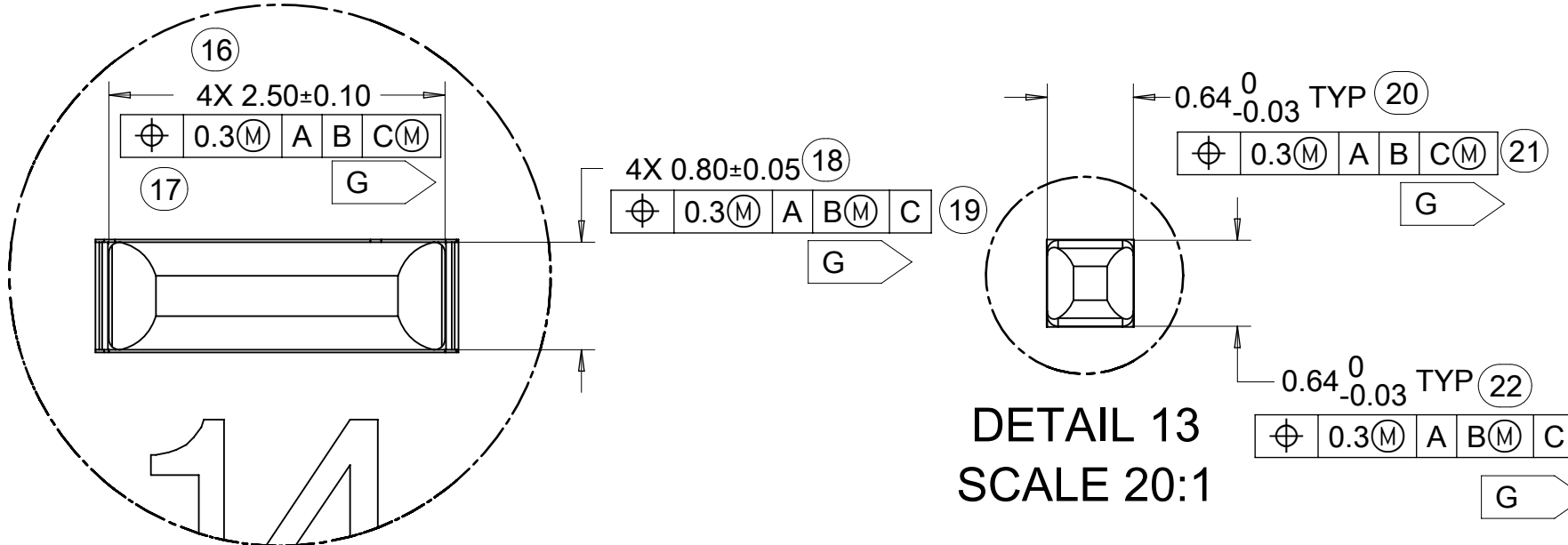
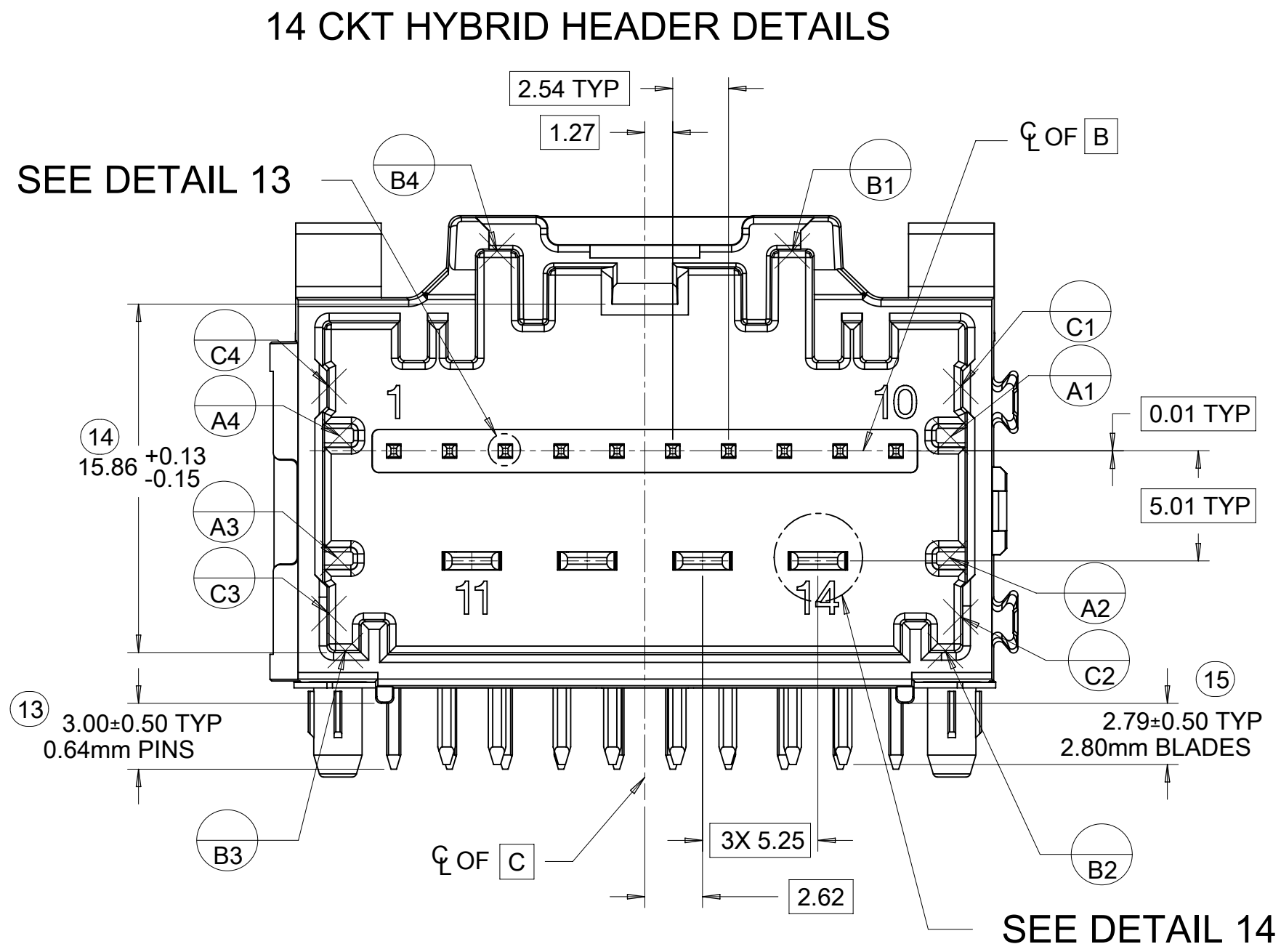
FOR DIM Z:	
PRESS FIT:	2.60
DROP IN:	3.05

ALL CIRCUIT OPTIONS



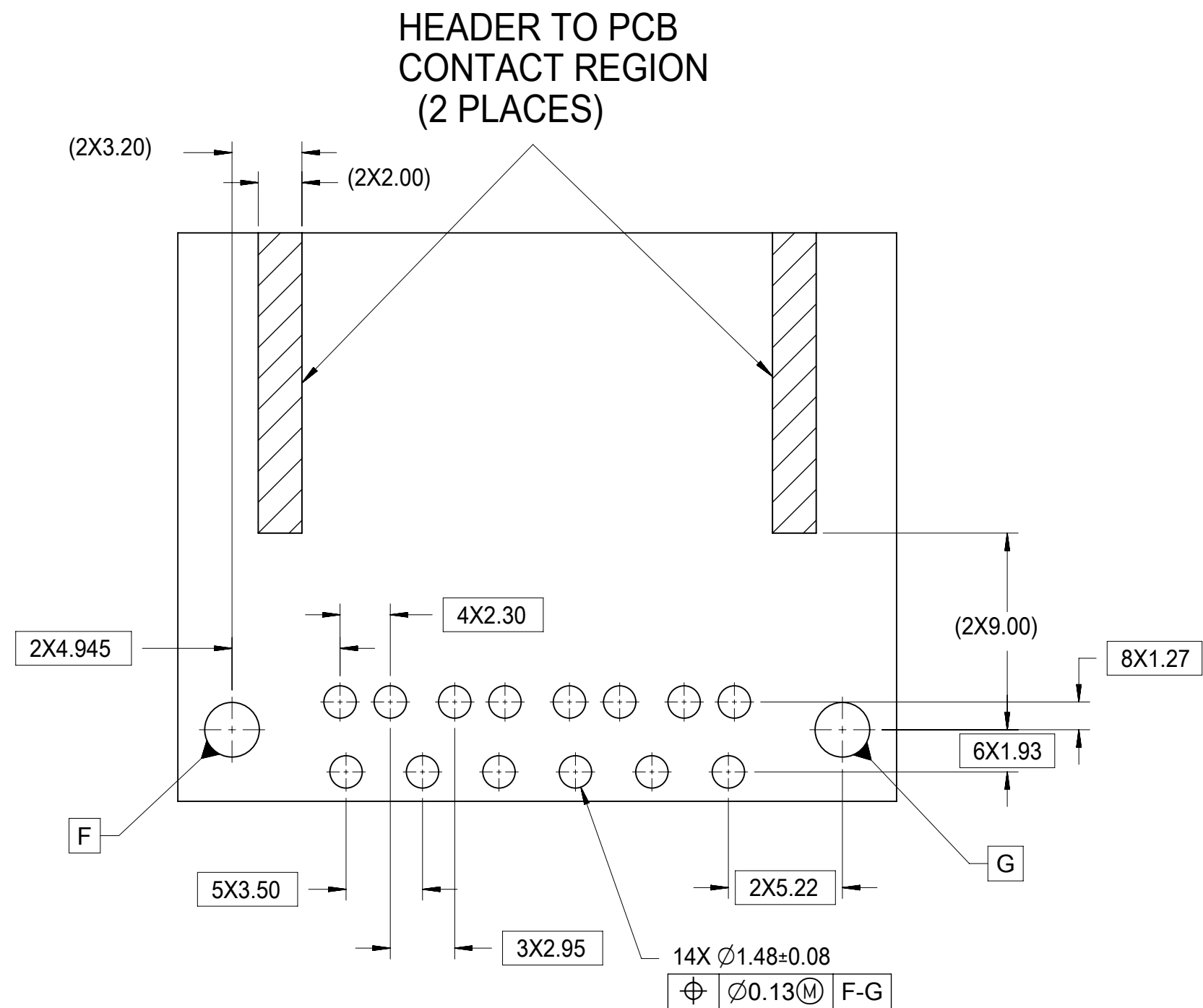
FUNCTIONAL SYMBOLS FA = 0 FE = 0 FP = 0 DIVISIONAL SYMBOLS	THIS DRAWING CONTAINS INFORMATION THAT IS PROPRIETARY TO MOLEX ELECTRONIC TECHNOLOGIES, LLC AND SHOULD NOT BE USED WITHOUT WRITTEN PERMISSION	DIMENSION UNITS: mm SCALE: 4:1	CURRENT REV DESC: EC NO: 679095 DRWN: CZHANG118 2021/09/27 CHK'D: CDZHANG 2021/10/08 APPR: CDZHANG 2021/10/08 INITIAL REVISION: DRWN: MBAILEY 2008/08/14 APPR: SMARCEAU 2008/08/14			
	GENERAL TOLERANCES (UNLESS SPECIFIED) ANGULAR TOL ± 3.0° 4 PLACES ± 3 PLACES ± 2 PLACES ± 0.13 1 PLACE ± 0.25 0 PLACES ±			2-BAY STAC64 RIGHT ANGLE HEADER ASSEMBLY SALES DRAWING		
	DRAFT WHERE APPLICABLE MUST REMAIN WITHIN DIMENSIONS			PRODUCT CUSTOMER DRAWING		
	THIRD ANGLE PROJECTION			DOCUMENT NUMBER: SD-34708-200 MATERIAL NUMBER: SEE CHART	DOC TYPE: PSD DOC PART: 001 REVISION: Y5	CUSTOMER: GENERAL MARKET SHEET NUMBER: 4 OF 6

TABLE OF CONTENTS	
5	8-20CKT 0.64MM HEADER DETAILS, 14CKT HYBRID HEADER DETAILS, 10CKT HYBRID HEADER DETAILS

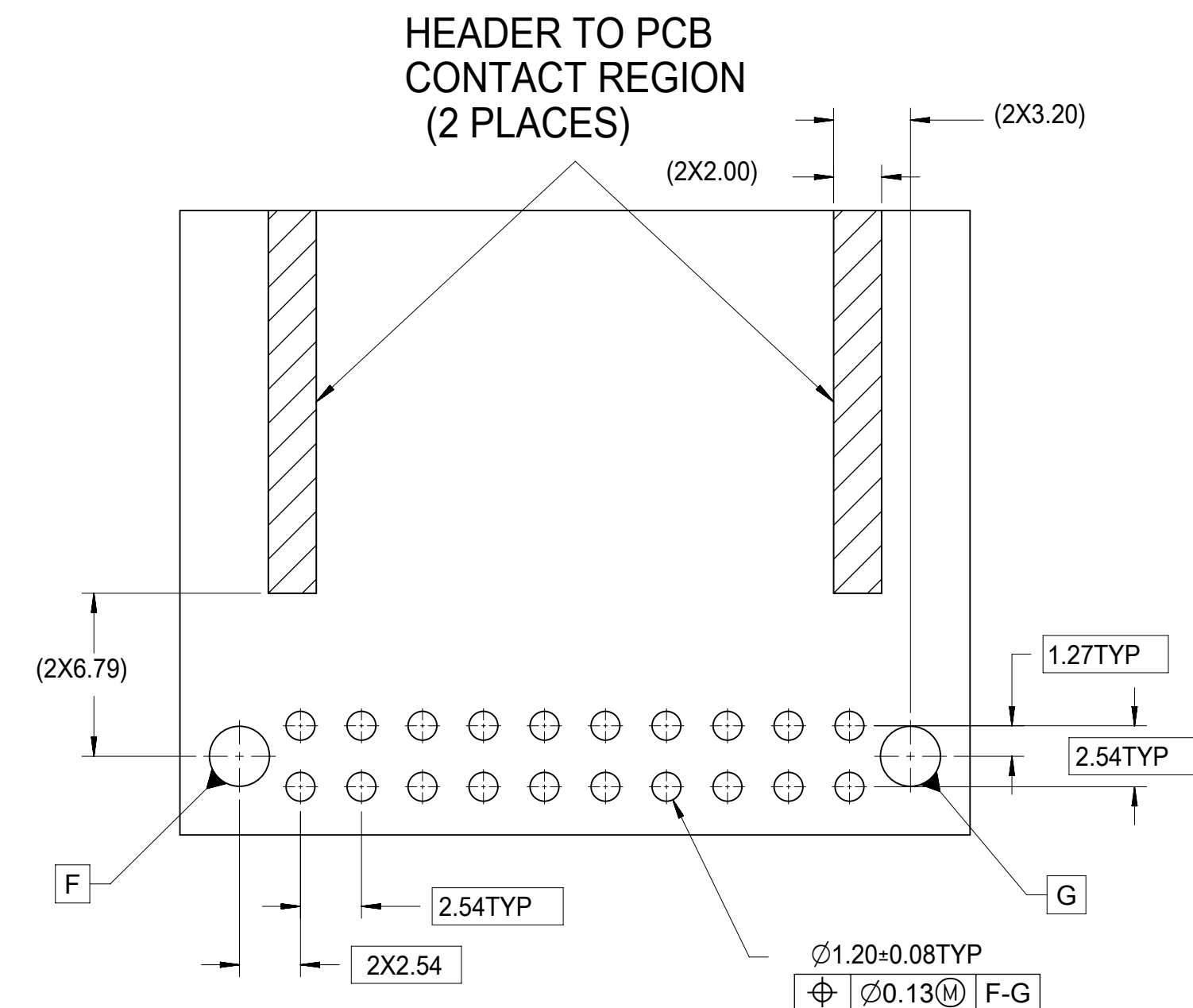


FUNCTIONAL SYMBOLS	THIS DRAWING CONTAINS INFORMATION THAT IS PROPRIETARY TO MOLEX ELECTRONIC TECHNOLOGIES, LLC AND SHOULD NOT BE USED WITHOUT WRITTEN PERMISSION		CURRENT REV DESC:	
	FA = 0	mm		
DIVISIONAL SYMBOLS	GENERAL TOLERANCES (UNLESS SPECIFIED)		EC NO: 679095	
	FB = 0	ANGULAR TOL ± 3.0°	DRWN: CZHANG118	2021/09/27
FUNCTIONAL SYMBOLS	FC = 0	4 PLACES ±	CHK'D: CDZHANG	2021/10/08
	FD = 0	3 PLACES ±	APPR: CDZHANG	2021/10/08
	FE = 0	2 PLACES ± 0.13	INITIAL REVISION:	
	FF = 0	1 PLACE ± 0.25	DRWN: MBAILEY	2008/08/14
DRAFT WHERE APPLICABLE MUST REMAIN WITHIN DIMENSIONS		THIRD ANGLE PROJECTION	SERIES D-SIZE	34708
DOCUMENT STATUS		P1	RELEASE DATE	2021/10/08 03:36:02
SD-34708-200		PSD	001	Y5
SEE CHART		GENERAL MARKET	SHEET NUMBER 5 OF 6	

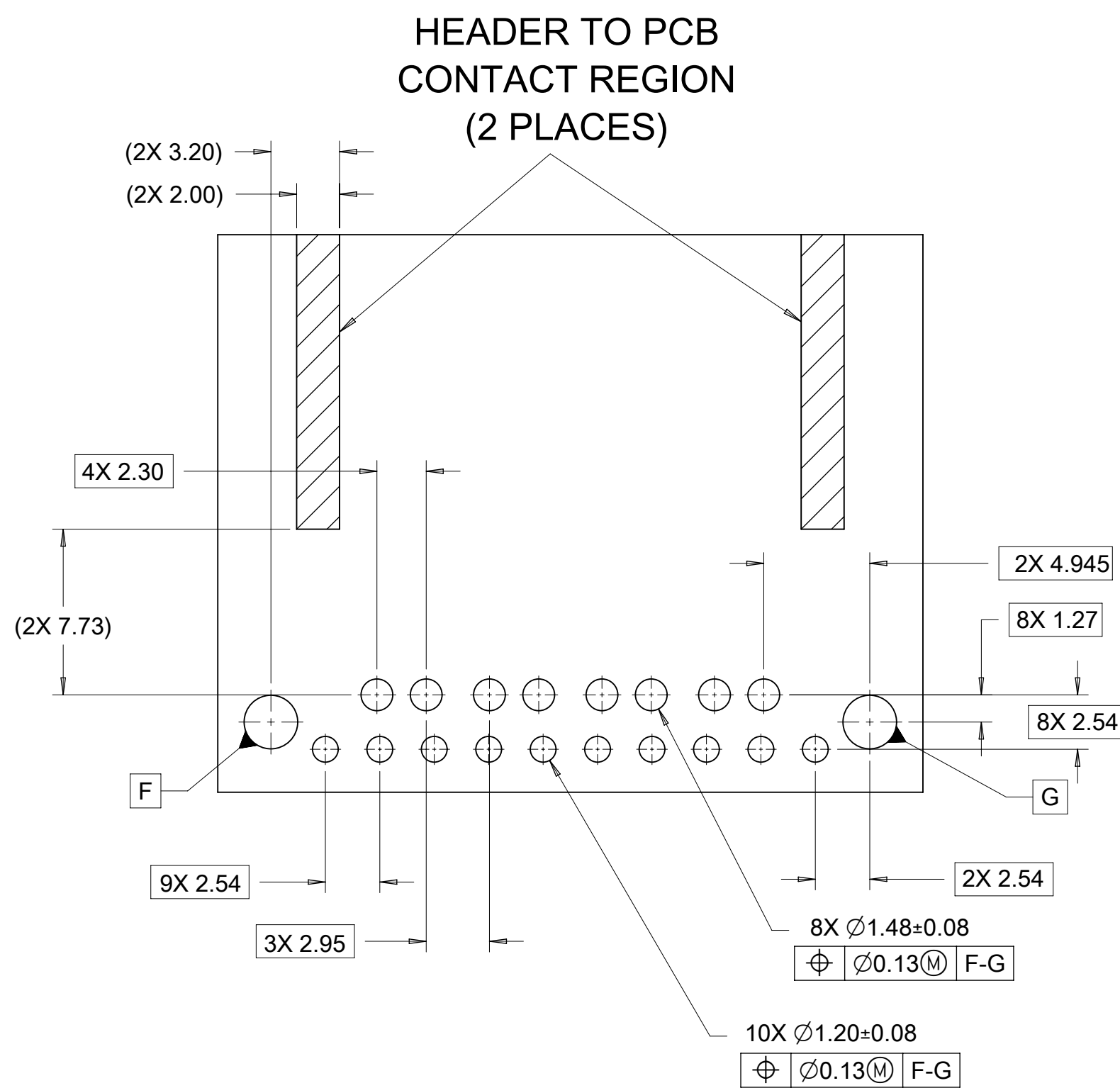
10 CKT HYBRID TEMPLATE PCB LAYOUT



8-20CKT 0.64mm TEMPLATE PCB LAYOUT



14 CKT HYBRID TEMPLATE PCB LAYOUT



FUNCTIONAL SYMBOLS	THIS DRAWING CONTAINS INFORMATION THAT IS PROPRIETARY TO MOLEX ELECTRONIC TECHNOLOGIES, LLC AND SHOULD NOT BE USED WITHOUT WRITTEN PERMISSION		
	DIMENSION UNITS	SCALE	CURRENT REV DESC:
$\nabla_A = 0$	mm	4:1	
$\nabla_C = 0$	GENERAL TOLERANCES (UNLESS SPECIFIED)		
$\nabla_P = 0$	ANGULAR TOL ± 3.0°		
DIVISIONAL SYMBOLS	4 PLACES	±	EC NO: 679095
	3 PLACES	±	DRWN: CZHANG118 2021/09/27
	2 PLACES	± 0.13	CHK'D: CDZHANG 2021/10/08
	1 PLACE	± 0.25	APPR: CDZHANG 2021/10/08
	0 PLACES	±	INITIAL REVISION:
DRAFT WHERE APPLICABLE MUST REMAIN WITHIN DIMENSIONS		THIRD ANGLE PROJECTION	DRWING
			SERIES
		D-SIZE	34708
		MATERIAL NUMBER	CUSTOMER
		SEE CHART	GENERAL MARKET
		DOCUMENT NUMBER	DOC TYPE DOC PART REVISION
		SD-34708-200	PSD 001 Y5
		SHEET NUMBER	6 OF 6