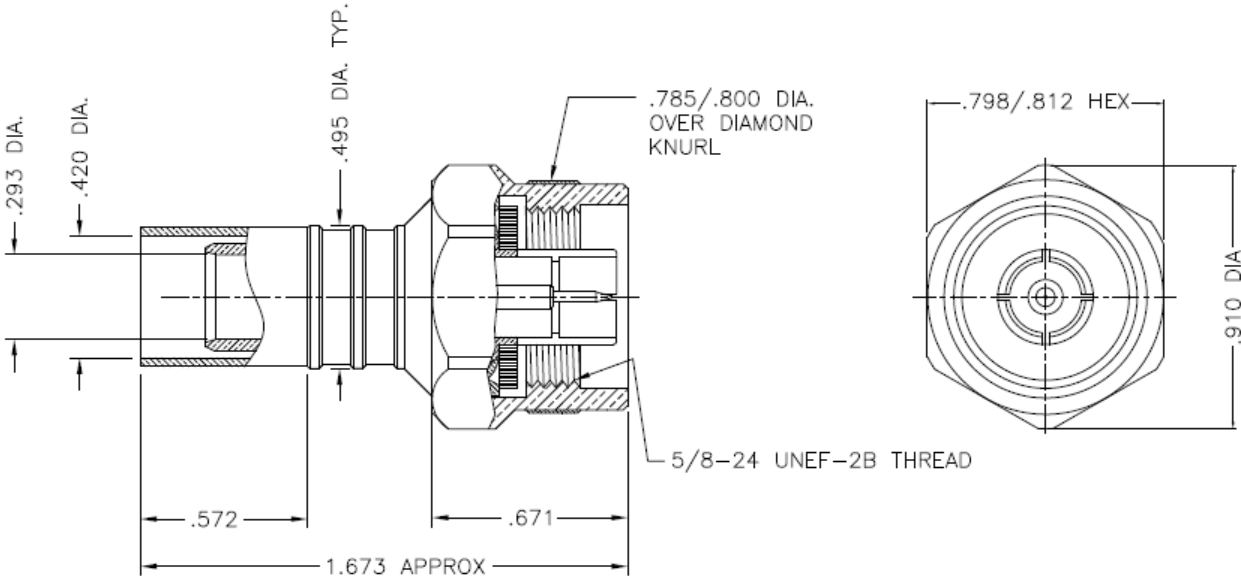


NOTICE OF PROPRIETARY RIGHTS THIS DOCUMENT CONTAINS CONFIDENTIAL TECHNICAL DATA, INCLUDING TRADE SECRETS, PROPRIETARY TO TIMES MICROWAVE SYSTEMS. DISCLOSURE OF THIS DATA IS EXPRESSLY CONDITIONED UPON YOUR ASSENT THAT ITS USE IS LIMITED TO USE WITHIN YOUR COMPANY ONLY. ANY OTHER USE IS STRICTLY PROHIBITED WITHOUT THE PRIOR WRITTEN CONSENT OF TIMES MICROWAVE SYSTEMS.

SYM	REVISION DESCRIPTION	DFTM	DATE	APPD	DATE
A	RELEASED FOR PRODUCTION	J. C. L	5/2/02	J. C. L	5/2/02
B	CHANGED PER CDC #40038	N. N. N	6/16/14	J. D. B	6/23/14
C	CHANGED PER CDC #42879	N. N. N	9/23/15	J. D. B	9/23/15



NOTES:

- ASSEMBLED CONNECTOR INTERFACE IS DESIGNED IN ACCORDANCE WITH MIL-STD-348.
- MATERIAL: BODY & COUPLING NUT- BRASS PER ASTM B16
 LOCKING RING - PHOSPHOR BRONZE PER QQ-B-750
 CONTACT - BRASS PER ASTM B16
 GASKET - SILICONE RUBBER PER ZZ-R-765
 INSULATOR - TEFLON PER ASTM D1710
 SHRINK SLEEVE (NOT SHOWN) - ADHESIVE-LINED, POLYOLEFIN PER MIL-I-23053/4
 CRIMP SLEEVE - D.H.P. COPPER CDA ALLOY 122
- FINISHES: BODY, COUPLING NUT - ALBALOY PLATE
 CONTACT - GOLD PLATE PER MIL-G-45204
 CRIMP SLEEVE - SILVER PLATE PER QQ-S-365

MATERIAL:	UNLESS OTHERWISE SPECIFIED		DFTM. J. C. L	TIMES MICROWAVE SYSTEMS	
	ALL DIMENSIONS ARE IN INCHES MACHINED SURFACES FINISH 32 RMS MAX. REMOVE ALL BURRS .005 MAX. BREAK MACHINE CORNERS .005 MAX. FILLET R. TOLERANCES ON DECIMALS .XX ± .03 .XXX ± .005 ANGLES ± 1° FRACTIONS ± 1/32		DATE 5/2/02		
USED ON: -			CHKD. J. C. L	TC-400-NMH-75-D N MALE FOR LMR-400-75 CABLE	
			DATE 5/2/02		
SCALE: NONE	DWG. SIZE A	DO NOT SCALE DRAWING	CODE IDENT 68999	APPD. J. C. L	SHEET 1 of 1
			DATE 5/2/02		
					REV C