

REV. A		SHEET 1 OF 2		DOCUMENT NO. RVPX-J16EXX	
REVISIONS					
LTR	DESCRIPTION			DATE	
A	INITIAL RELEASE			11-FEB-16	

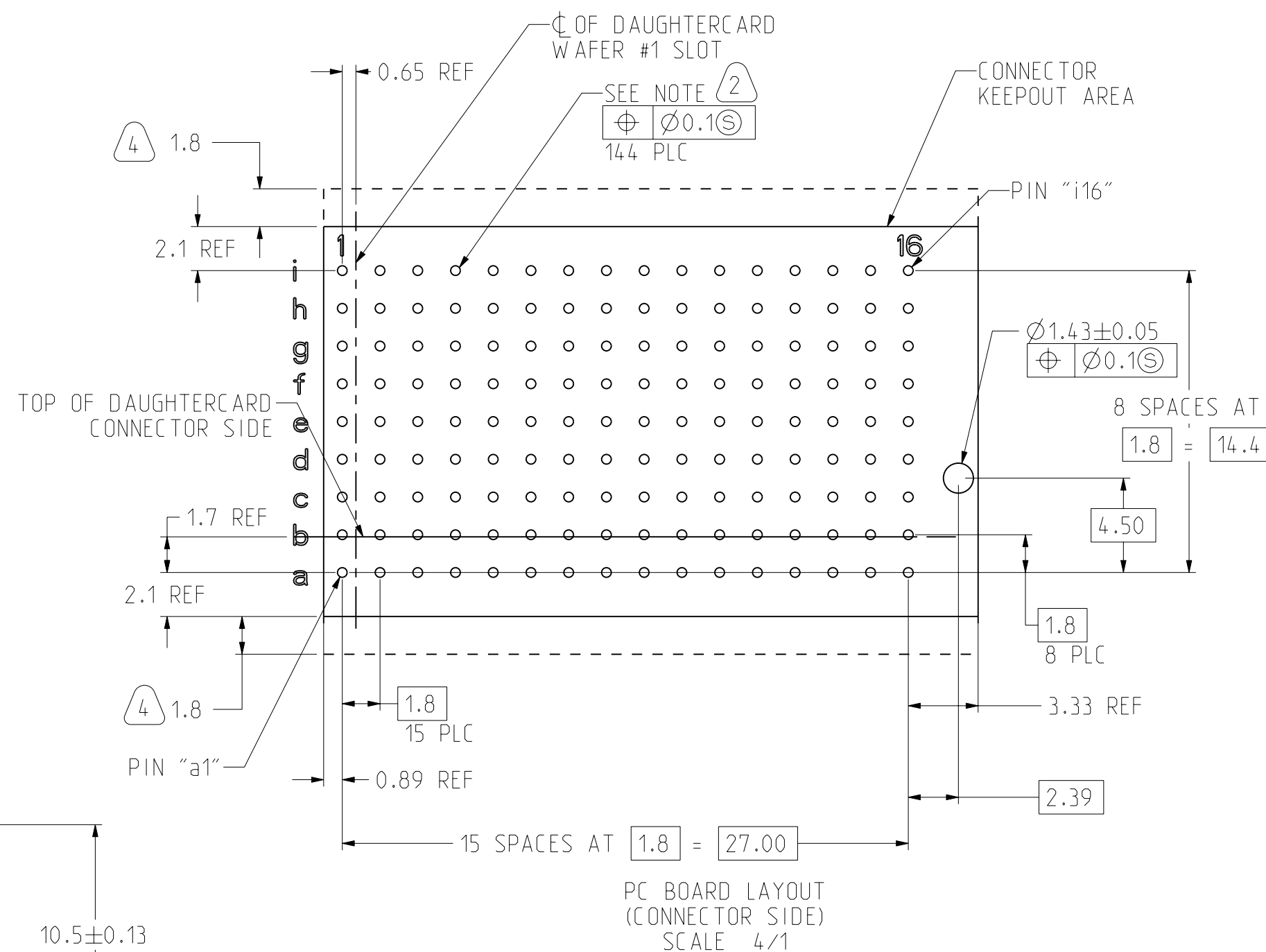
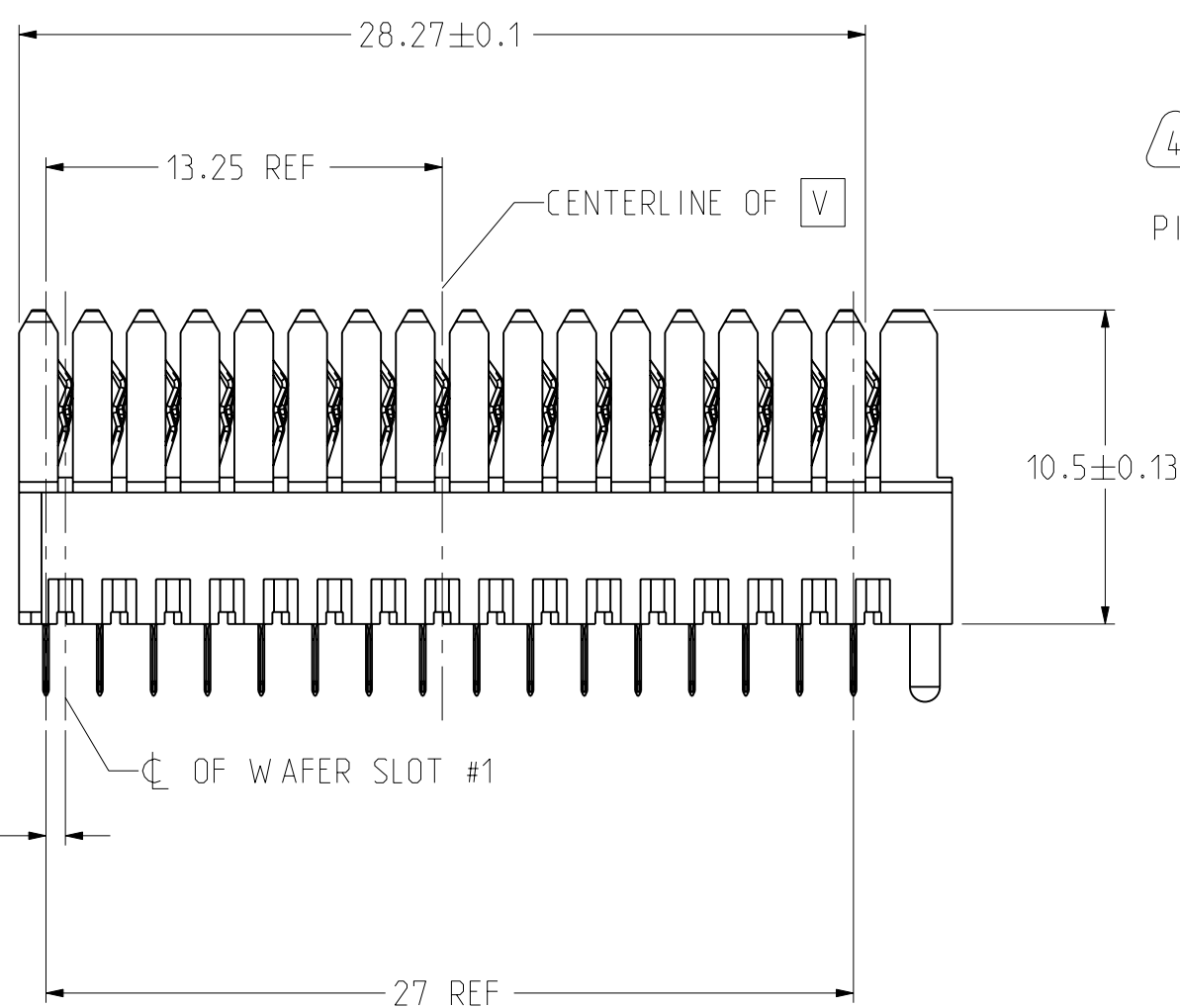
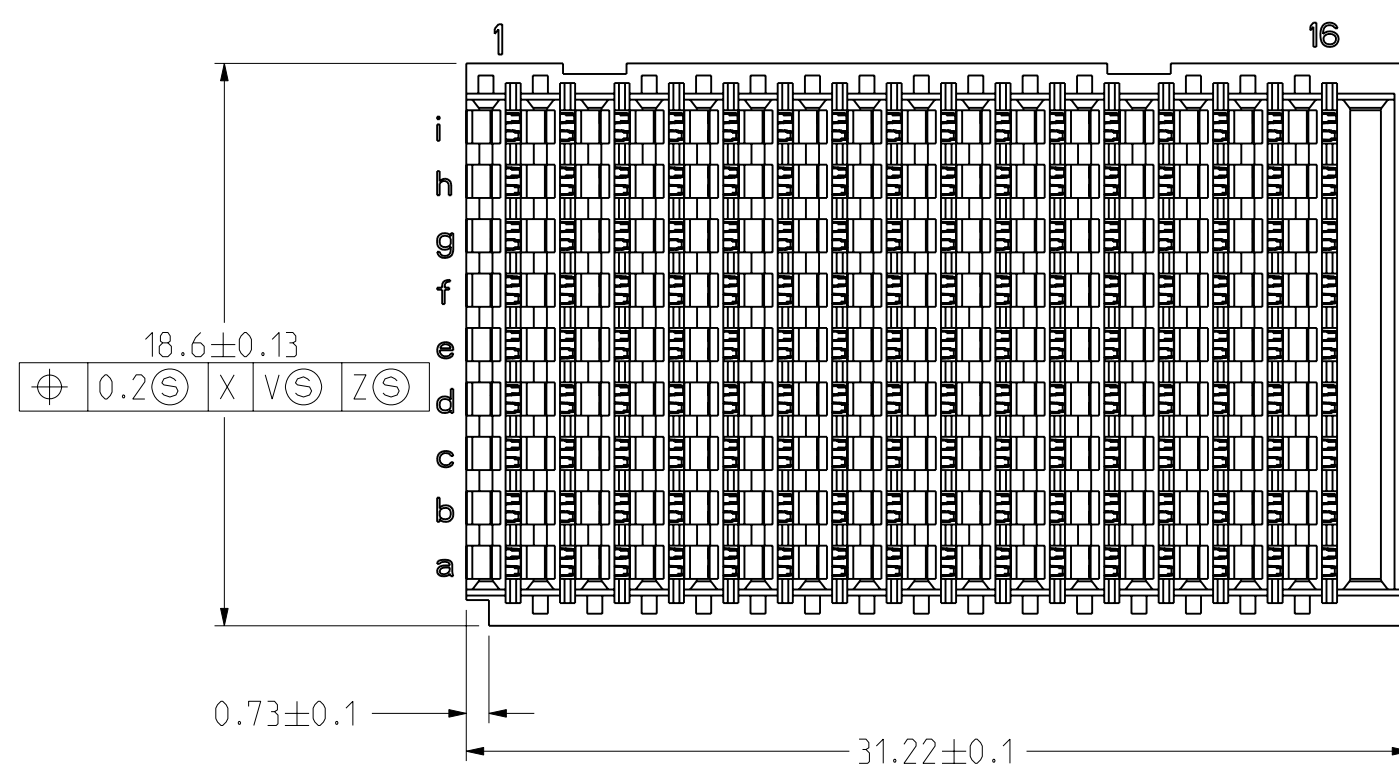
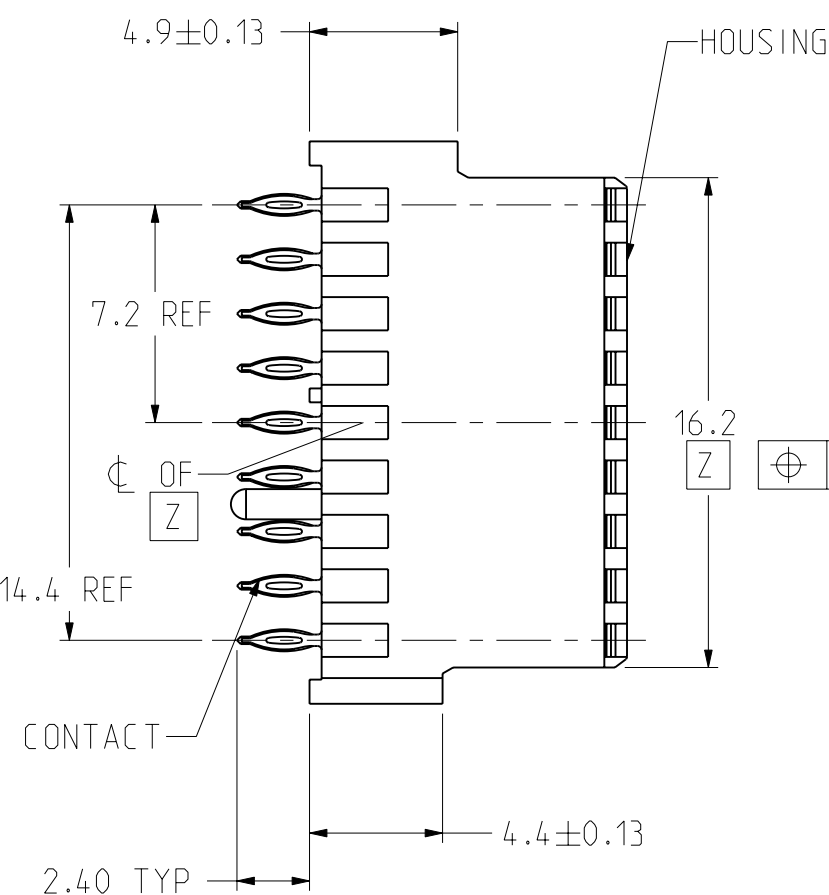


TABLE 1

PLATING THICKNESS AND MATERIAL BY PART NUMBER			
PART NUMBER	GOLD IN CONTACT AREA	COMPLIANT	NICKEL OVERALL
RVPX-J16EM1	50 μ-INCH MIN	50 μ-INCH MIN TIN	50 μ-INCH MIN
RVPX-J16EM2	50 μ-INCH MIN	50 μ-INCH MIN TIN-LEAD	50 μ-INCH MIN
RVPX-J16EC1	30 μ-INCH MIN	50 μ-INCH MIN TIN	50 μ-INCH MIN
RVPX-J16EC2	30 μ-INCH MIN	50 μ-INCH MIN TIN-LEAD	50 μ-INCH MIN

4 ADDITIONAL CONNECTOR-SIDE KEEP-OUT AREA REQUIRED IF CONNECTOR-SIDE EXTRACTION TOOL IS TO BE USED.

3 SEE TABLE 1 FOR PART NUMBER AND FINISHES

2 PTH CALLOUT TYPICAL HOLE
 Ø0.63-.67 DRILL
 Ø0.56 ±.05 FINISH HOLE
 Ø1.02 PAD

NOTES: 1 HOUSING: GLASS FILLED LCP, UL94 - V0
 CONTACT: Cu ALLOY

THE USE OF THIS DOCUMENT IS UNLIMITED. HOWEVER, DOCUMENTS REFERENCED HEREON MAY CONTAIN LIMITED RIGHTS DATA.

N/A
 NEXT ASSEMBLY

PRO/ENGINEER INFORMATION
 Pro/e Model Used:
 RVPX-J16EXX.PART
 Drawing Name:
 RVPX-J16EXX

UNLESS OTHERWISE SPECIFIED	SPECIFICATIONS	POS	QTY	PART NUMBER	DESCRIPTION	NOTE
LINEAR DIMENSIONS ARE IN MILLIMETERS TOLERANCES: .XXXX = ±. - ANGLES = ±1° .XXX = ±. - .XX = ±.13 .X = ±.5	MATERIAL SPEC. N/A	PARTS LIST				
DIM. & TOL. PER ASME Y14.5M; DRM PER MIL-DTL-31000; OTHER Amphenol Stds. PER 9-3800	PROCESS SPEC. 9-3895 9-3856-5	APPROVALS				
LEGENDS: = FLAG NOTE CALL OUT REFERENCE ONLY		DATE: 22-SEP-15				
		THIRD ANGLE PROJECTION				
		AMPHENOL CORPORATION 40-60 DELAWARE AVENUE SIDNEY, N.Y. 13858				
		CONNECTOR ASSEMBLY, BACKPLANE VERTICAL RECEPTACLE, 16 POS., RIGHT END RVPX				
		SIZE C	CAGE CODE 77820	DOCUMENT NO. RVPX-J16EXX	REV. A	
		SCALE: 4.0	REF.	SHEET 1 OF 2		

