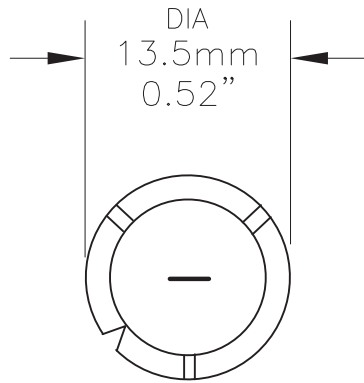
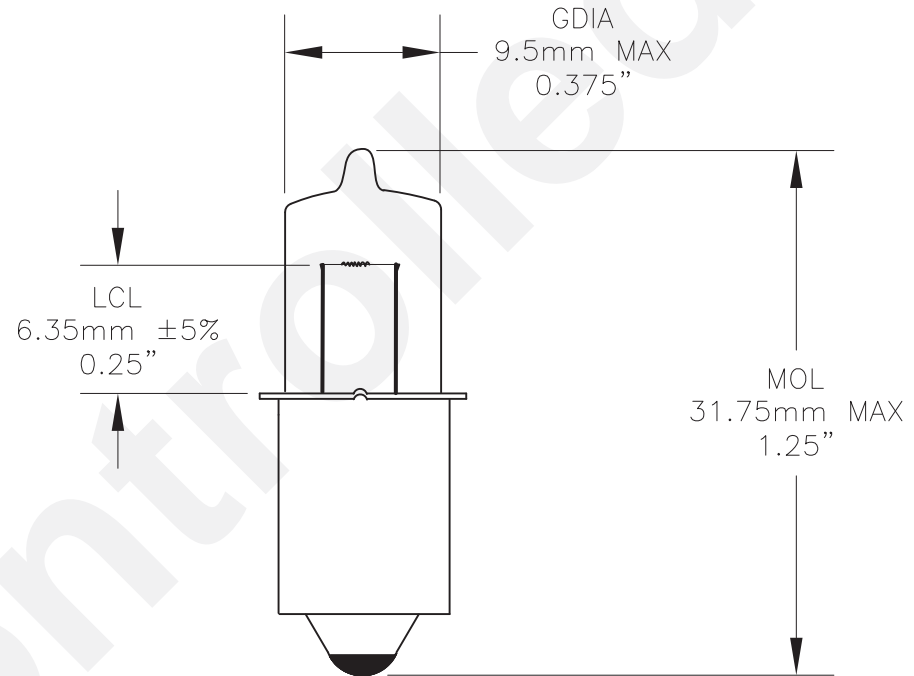


PART NO.	BASE TYPE	DESIGN VOLTS	DESIGN AMPS	MSCP	Filament Type	AVG LIFE
HPR50	S.C. Miniature Flanged	5.2V	0.85	6.76 ±15%	C-6	25hr

REVISIONS			
REV	DESCRIPTION	DATE	APPROVED
1	Revised MSCP and Amps	01/28/2005	D.C.



Top View



UNLESS OTHERWISE SPECIFIED:
DIMENSIONS ARE IN INCHES
TOLERANCES

DECIMALS ANGULAR
.XX ± .05 ± 0.5°
.XXX ± .010
FRACTIONAL ± 1/64

DRAWN DATE
Anna Soloveychik 11/14/03

CHECKED

DESIGN

MATERIAL

CEC INDUSTRIES LTD

599 BOND STREET

LINCOLNSHIRE, IL 60069

TITLE

HPR 50

SIZE A	FSCM NO.	DWG NO. HPR50	REV 1
-----------	----------	------------------	----------

SCALE	PLOT SCALE	SHEET 1 OF 1
-------	------------	--------------

FILE HPR50.dwg

DO NOT SCALE DRAWING