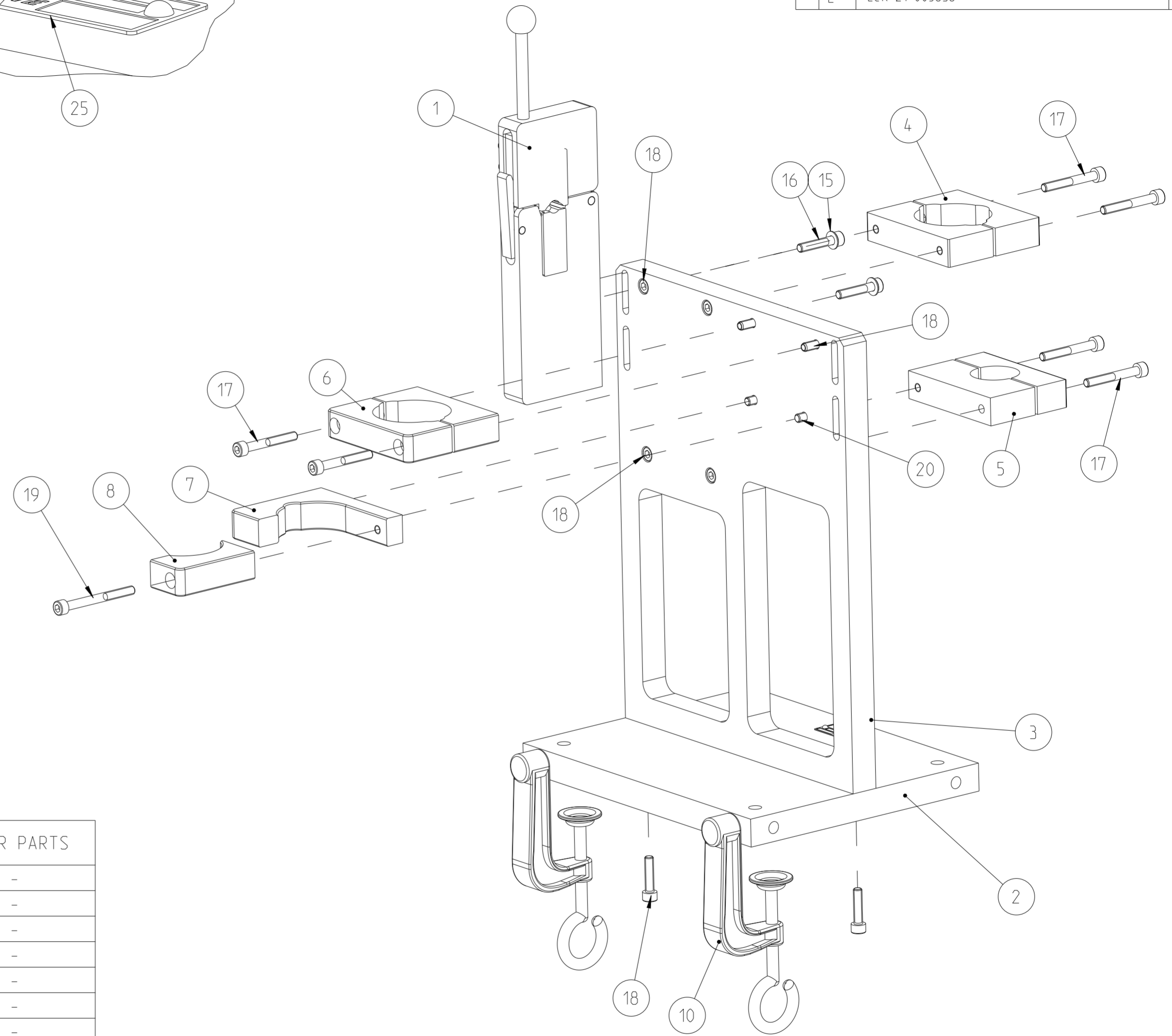
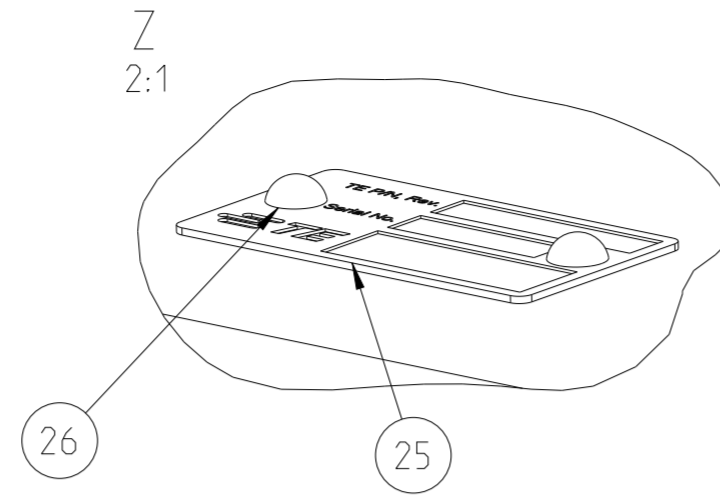
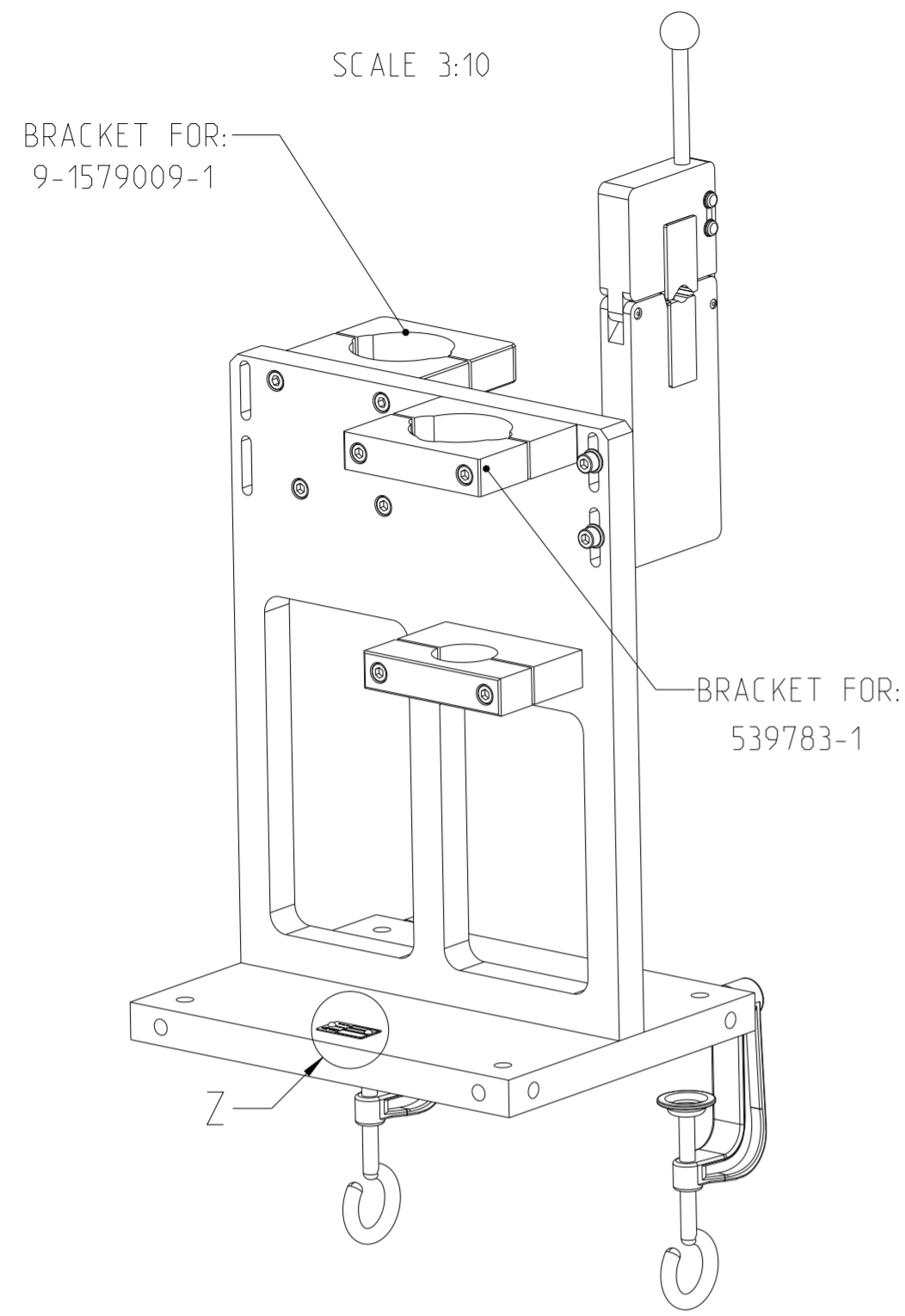


P	LTR	DESCRIPTION	DATE	DWN	APVD
B		INITIAL REVISION	23MAR11	LS	GS
C		ECR-12-006158	03APR12	LS	GS
D		ECR-20-000632	14 JAN20	AM	GS
E		ECR-21-005638	20MAY21	AM	GS



POS	QTY	TE/PN	PART REV	DESCRIPTION	SPARE PARTS	WEAR PARTS
1	1	528040-2	B	CABLE CLAMP, ASSY	X	-
2	1	6-519695-9	C	PLATE	X	-
3	1	7-519714-2	B	MOUNTING PLATE	X	-
4	1	7-519515-8	A	CLAMP	X	-
5	1	7-519515-9	A	CLAMP	X	-
6	1	9-519515-7	A	CLAMP, TOP	X	-
7	1	9-519515-8	A	CLAMP, LOWER	X	-
8	1	9-519515-9	A	CLAMPING PIECE, LOWER	X	-
10	2	578508-1	A	TABLE CLAMP, TK6	X	-
15	2	519034-4	A	WASHER, FLAT, METRIC, ST	X	-
16	2	4-519000-5	A	SCREW, CAP, SOCKET HD, METRIC	X	-
17	6	4-519000-8	A	SCREW, CAP, SOCKET HD, METRIC	X	-
18	9	4-519000-4	A	SCREW, CAP, SOCKET HD, METRIC	X	-
19	1	5-519000-1	A	SCREW, CAP, SOCKET HD, METRIC	X	-
20	2	4-519000-3	A	SCREW, CAP, SOCKET HD, METRIC	X	-
25	1	9-519637-2	A	TYPE PLATE, HV TOOLING	X	-
26	2	2168078-1	A	SCREW, DRIVE, ROUND HD, METALLIC	X	-

THIS DRAWING IS A CONTROLLED DOCUMENT.

DWN L.Sandhu 04FEB2011
CHK G.Stegmayer 04FEB2011
APVD G.Stegmayer 04FEB2011

STE TE Connectivity

NAME FRAME UNIT, HYDRAULIC HAND TOOL

SIZE A2 CAGE CODE 00779 DRAWING NO. C-528040-9 RESTRICTED TO

WEIGHT 7.502 kg

CUSTOMER DRAWING SCALE 1:2 SHEET 1 OF 1 REV E

TOLERANCES UNLESS OTHERWISE SPECIFIED:
 0 PLC ±
 1 PLC ±
 2 PLC ±
 3 PLC ±
 4 PLC ±
 ANGLES ±
 FINISH