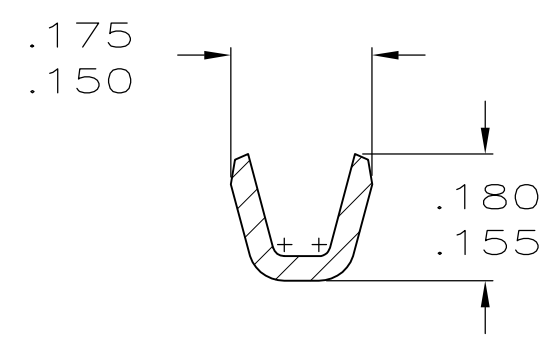
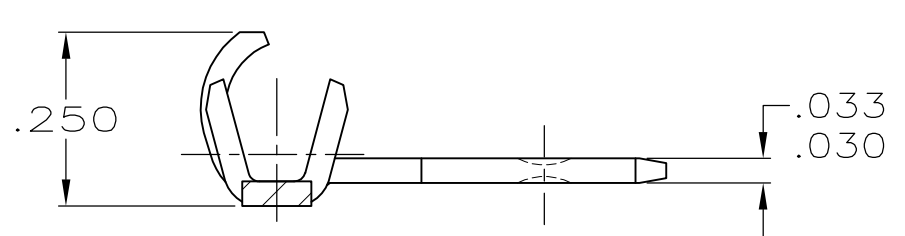
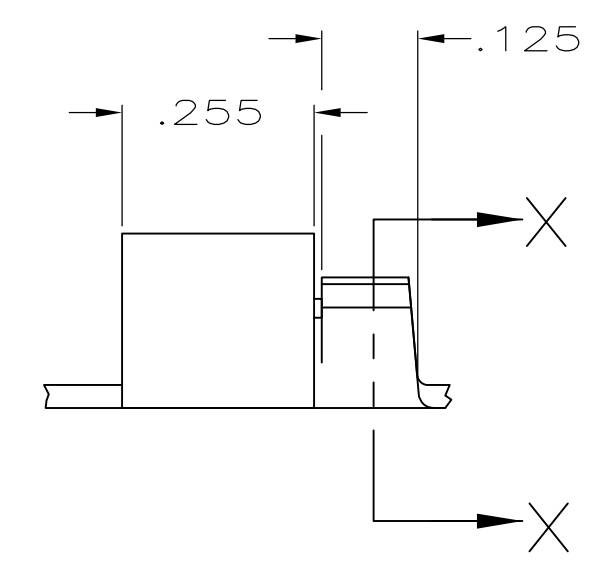
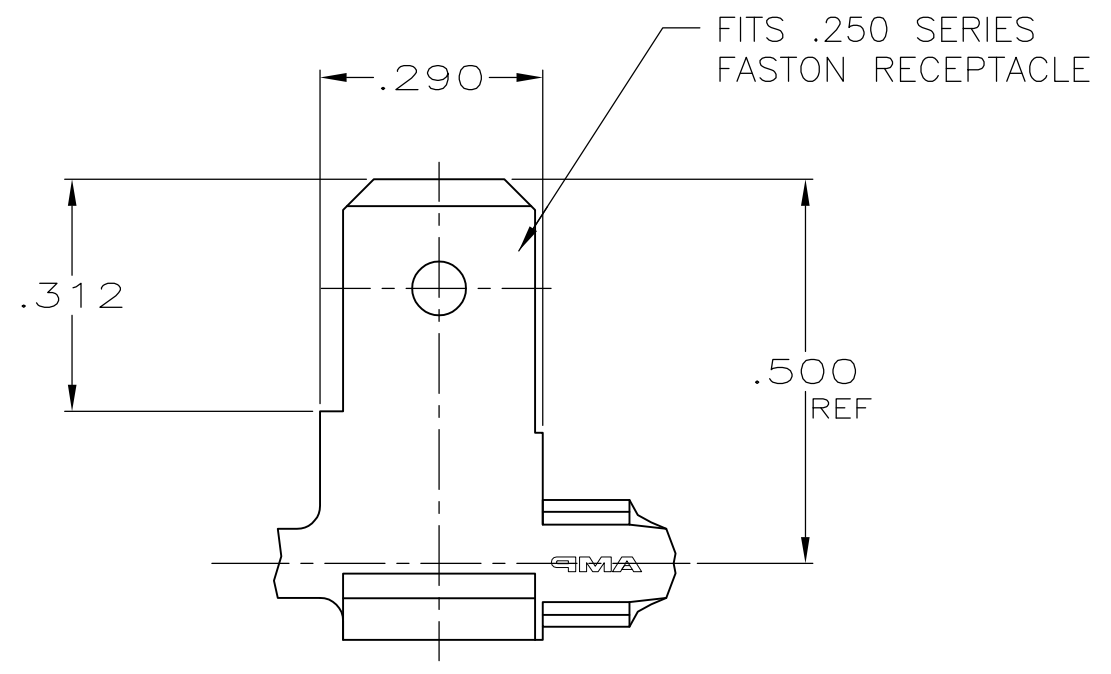


THIS DRAWING IS UNPUBLISHED. RELEASED FOR PUBLICATION
 © COPYRIGHT - By - ALL RIGHTS RESERVED.

LOC	DIST	REVISIONS			
P	LTR	DESCRIPTION	DATE	DWN	APVD
AF	50	L	REVISED PER ECR-13-011489	06DEC2013	KH PD



- 1 CONTINUOUS STRIP ON REELS.
- 2 REVERSE REEL OF 42770-2.
- 3 WIRE RANGE IS #18-#14.
- 4 INSULATION RANGE IS .080-.125 DIA.
- 5 REELED WITH INTERLEAVING PAPER.
- 6 PRELIMINARY - NOT FOR PRODUCTION.
- 7 PREPRODUCTION - FASR REQUIRED.

FINISH	PART NUMBER
TIN PLATE	42770-4
TIN PLATE	42770-3
TIN PLATE	42770-2
-	42770-1

THIS DRAWING IS A CONTROLLED DOCUMENT.		DWN M.S. FEHER 18MAR2005	TE Connectivity	
DIMENSIONS: INCHES 		CHK K.A. RANDOLPH 18MAR2005		
TOLERANCES UNLESS OTHERWISE SPECIFIED: 0 PLC ± - 1 PLC ± - 2 PLC ± - 3 PLC ± .015 4 PLC ± - ANGLES ± -		APVD K.A. RANDOLPH 18MAR2005	NAME TAB, FASTON, FLAG, .250 SERIES	
MATERIAL BRASS	FINISH TIN	PRODUCT SPEC -	APPLICATION SPEC -	RESTRICTED TO -
		WEIGHT -	SIZE A3	CAGE CODE 00779
		DRAWING NO C-42770		
		CUSTOMER DRAWING		SCALE 4:1
		SHEET 1 OF 1		REV L