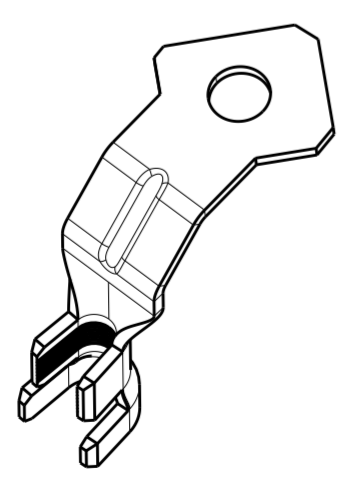
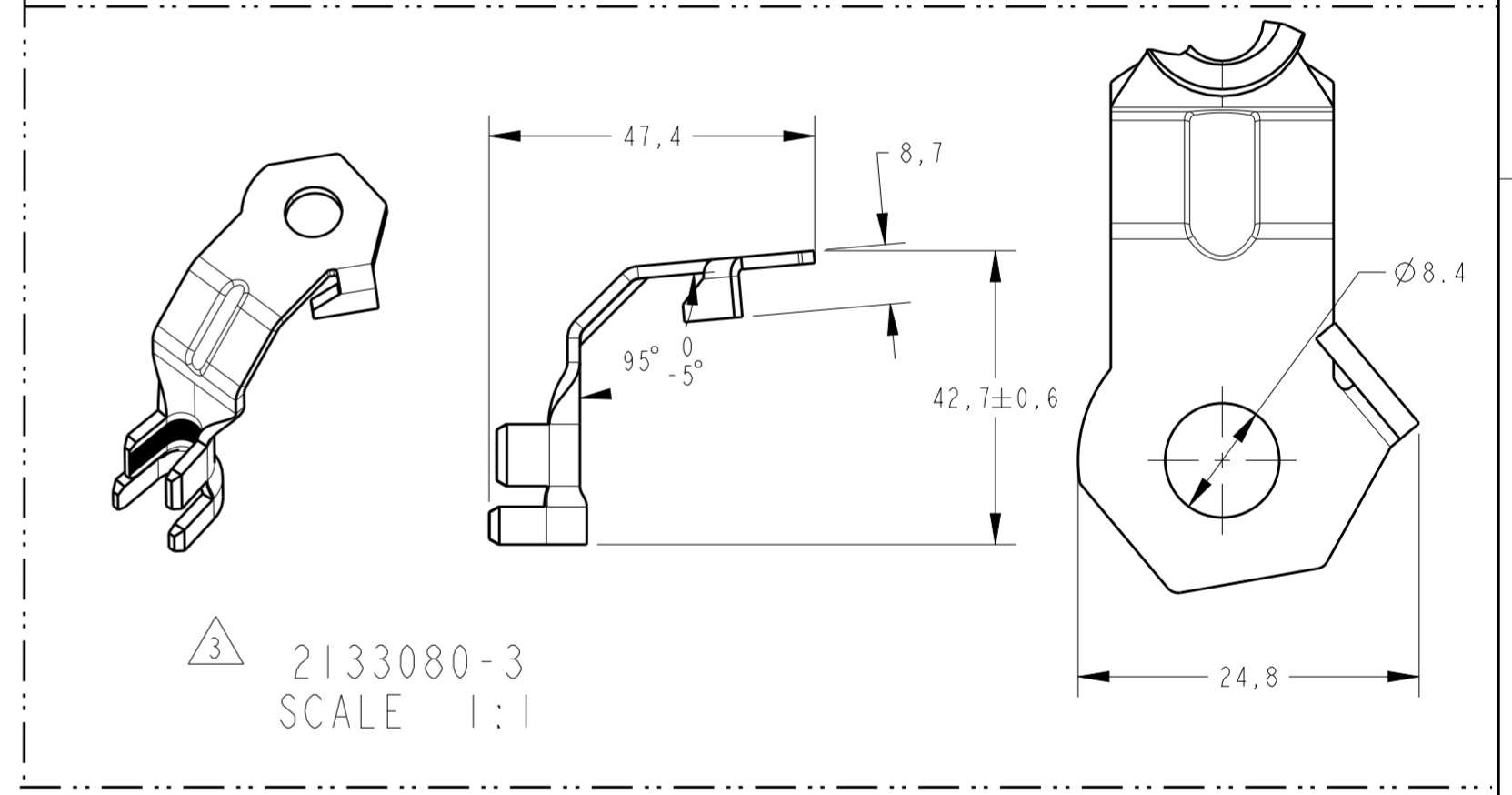
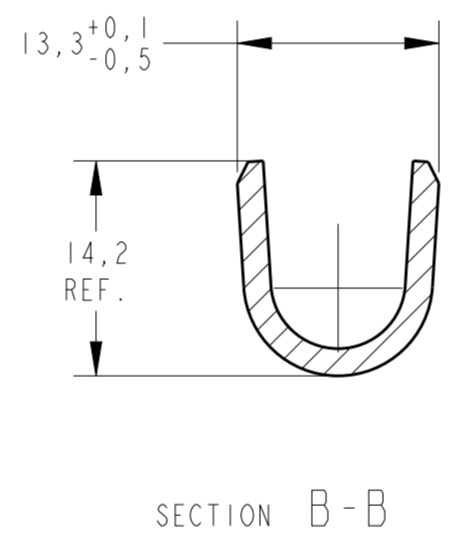
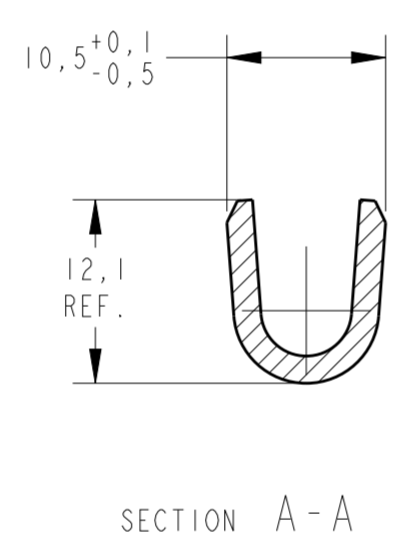
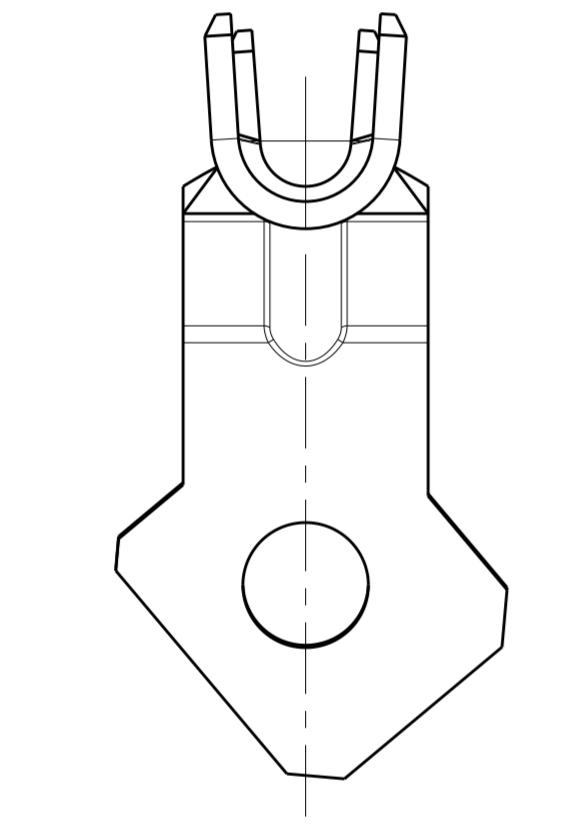
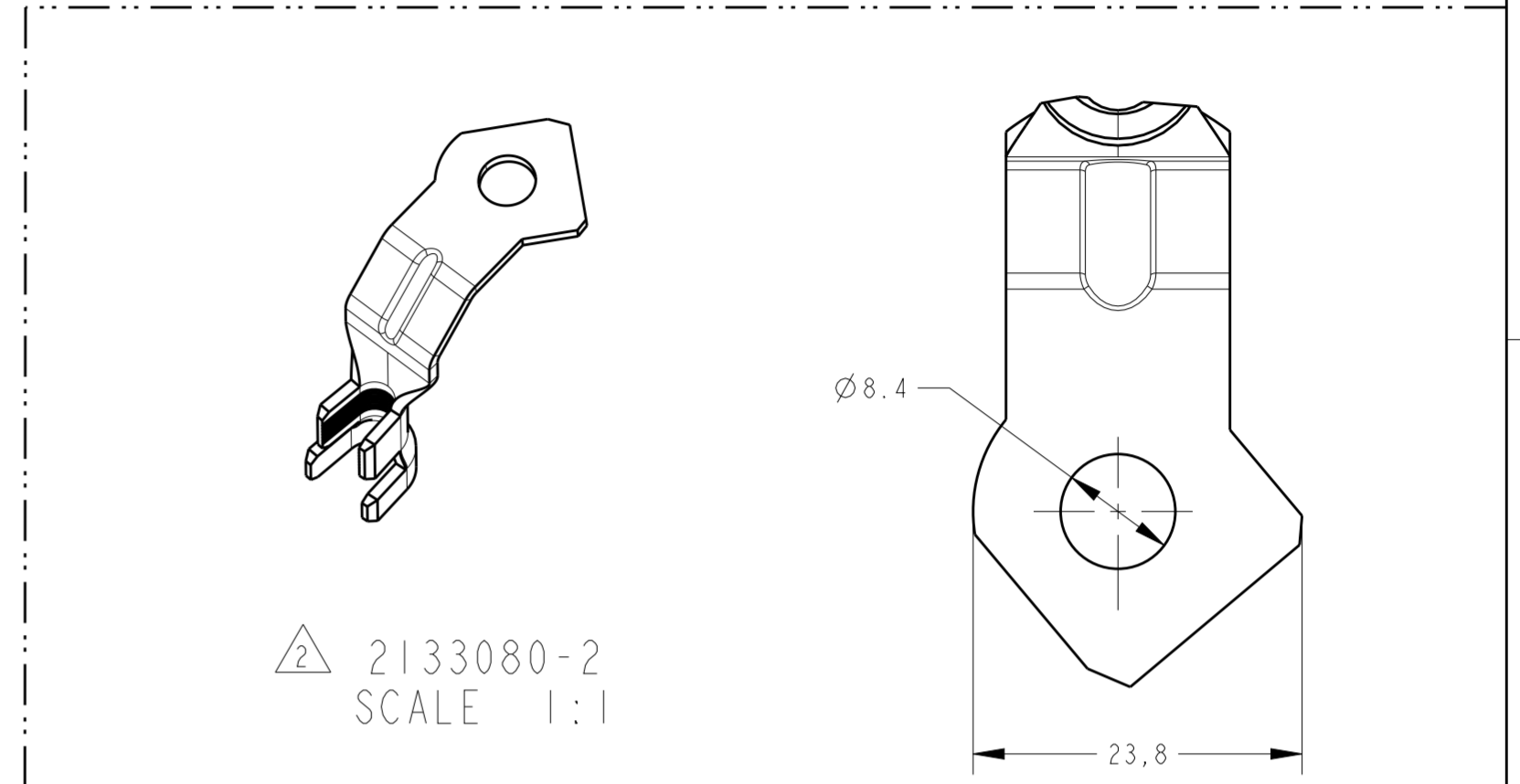
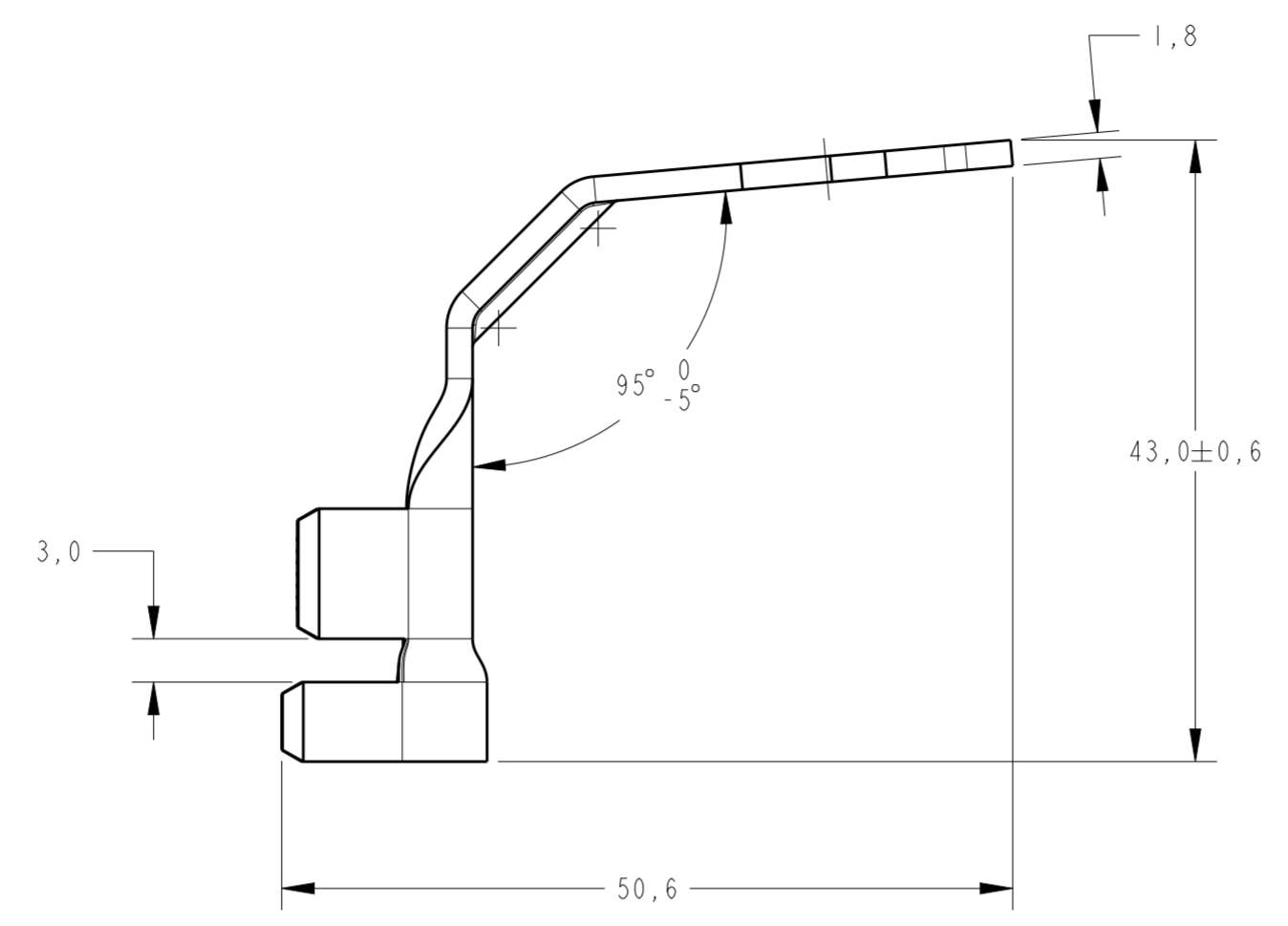
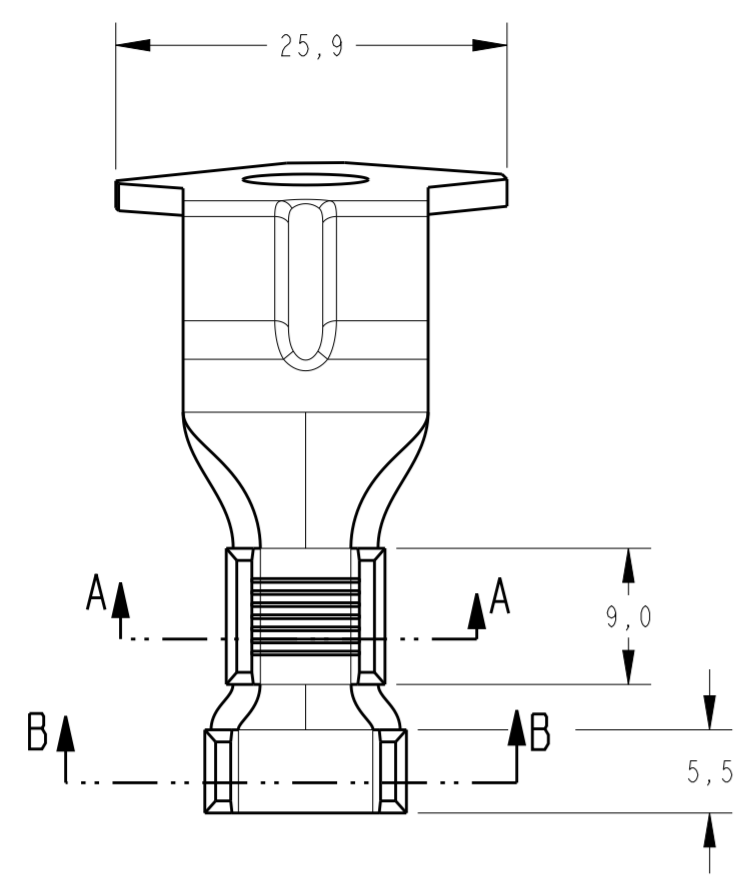


THIS DRAWING IS UNPUBLISHED. RELEASED FOR PUBLICATION 20  
 © COPYRIGHT 20 ALL RIGHTS RESERVED.

LOC	DIST	REVISIONS			
P	LTR	DESCRIPTION	DATE	DWN	APVD
AP	-				
A		CHANGE STATUS ECO-11-023093	18NOV2011	NCL	MG
AI		REVISED DRAWING ECO-14-008821	13JUN2014	NCL	MG

**creo**  
 Creo Parametric 2.0  
 DO NOT REVISE  
 EXCEPT BY CAD



2133080-1  
 SCALE 1:1

3	ESTANHADO / TINNED	LATÃO / BRASS	2133080-3
2	ESTANHADO / TINNED	LATÃO / BRASS	2133080-2
1	ESTANHADO / TINNED	LATÃO / BRASS	2133080-1
	FINISH	MATERIAL	PART NO

THIS DRAWING IS A CONTROLLED DOCUMENT.		DWN F. CHAPELA 24 JUN 2010	<b>STE</b> TE Connectivity	
		CHK E. LOPES 24 JUN 2010		
		APVD M. GISOLDI 24 JUN 2010	NAME RING TONGUE TERMINAL STARTER	
DIMENSIONS: mm		PRODUCT SPEC -		
TOLERANCES UNLESS OTHERWISE SPECIFIED:		APPLICATION SPEC -		
0 PLC ±		WEIGHT 19,7g		
1 PLC ±0,3		SIZE A2		
2 PLC ±		CAGE CODE 00779		
3 PLC ±		DRAWING NO C-2133080		
4 PLC ±		RESTRICTED TO -		
ANGLES ±1°		SCALE 2/1		
FINISH		SHEET 1 OF 1		
MATERIAL SEE TABLE		REV A1		
SEE TABLE		Customer Drawing		

16 - 20	7,9 - 9,0
WIRE RANGE (mm <sup>2</sup> )	INSULATION RANGE (Ømm)