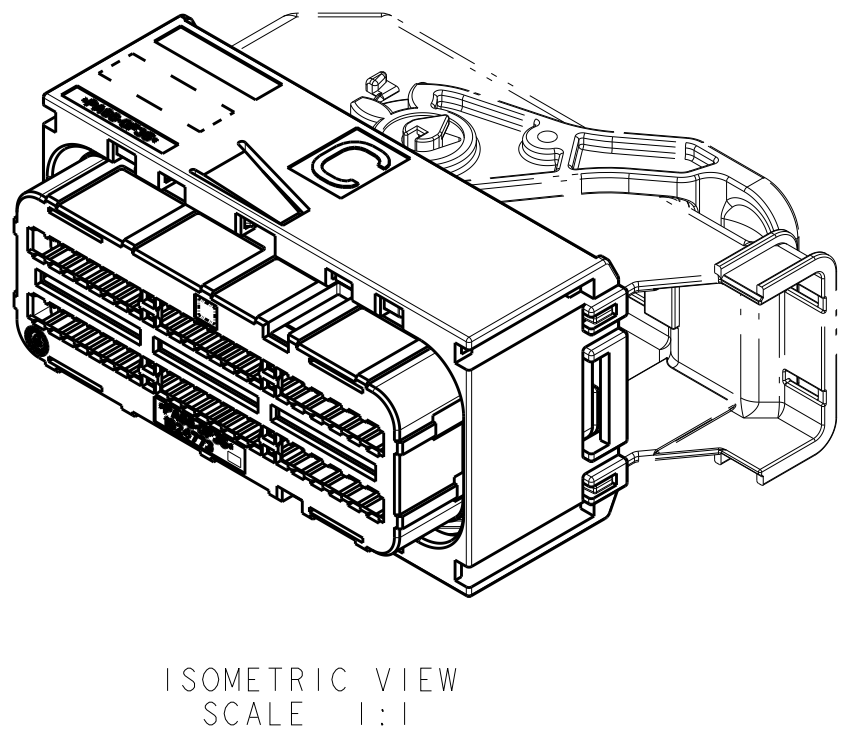
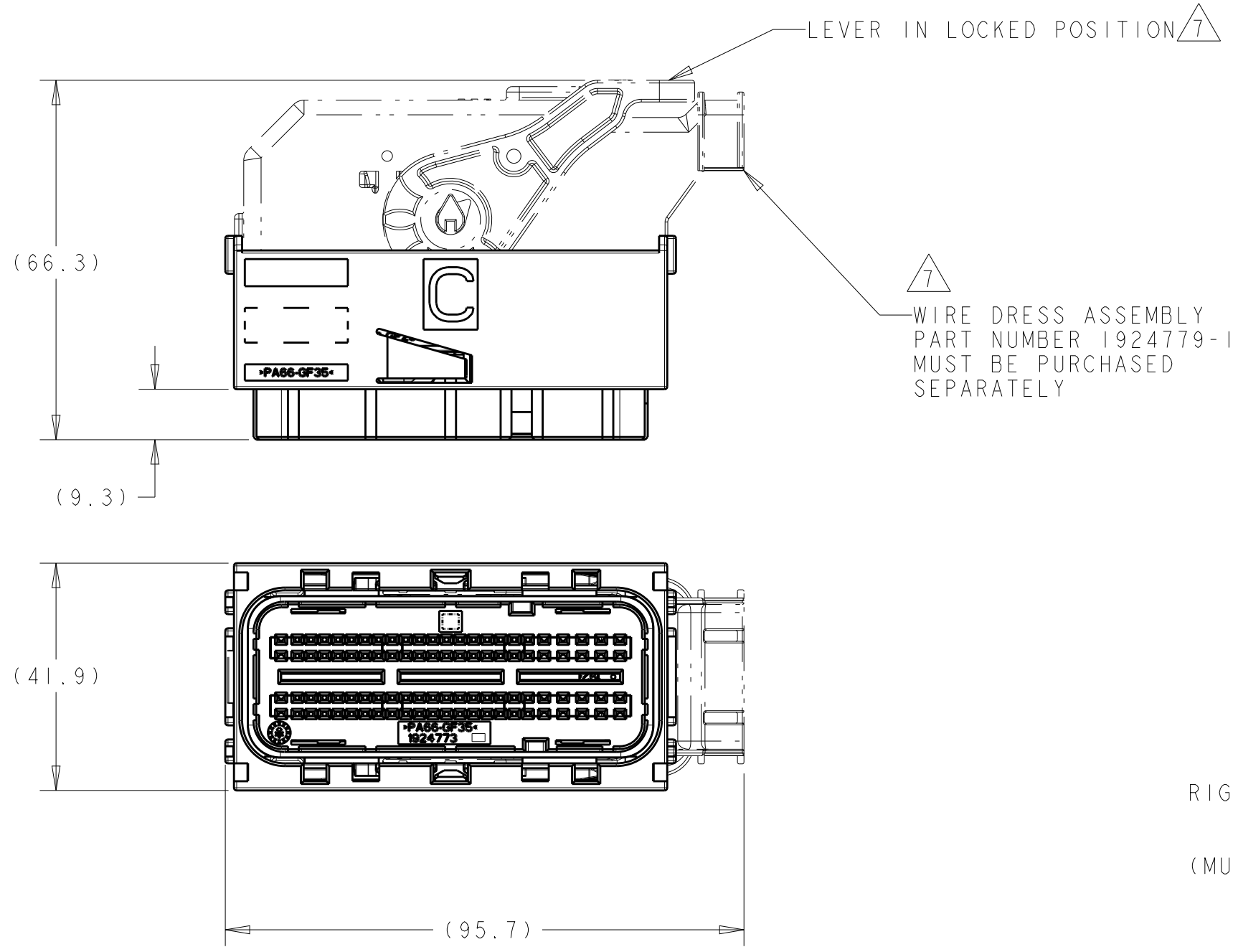
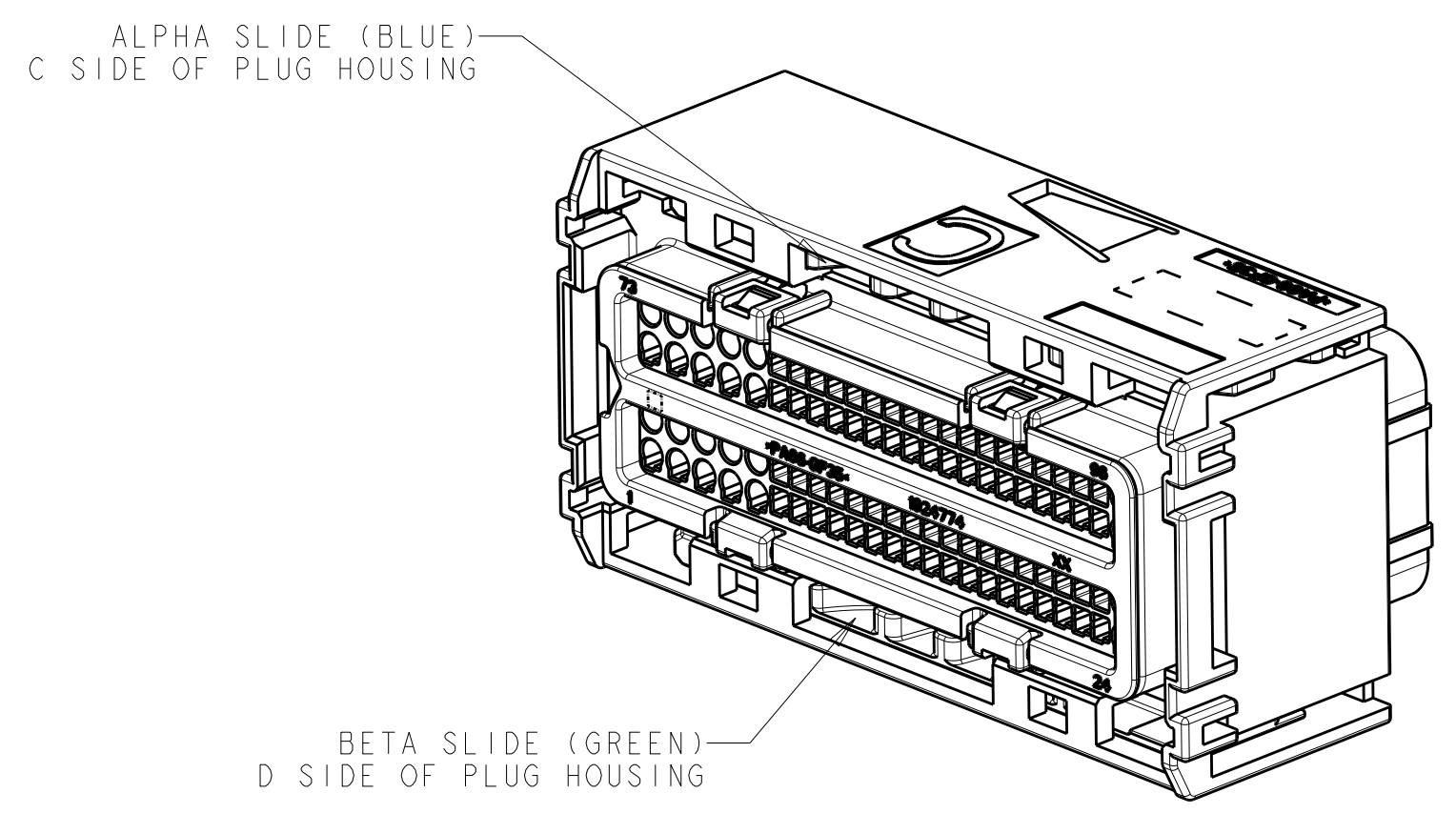
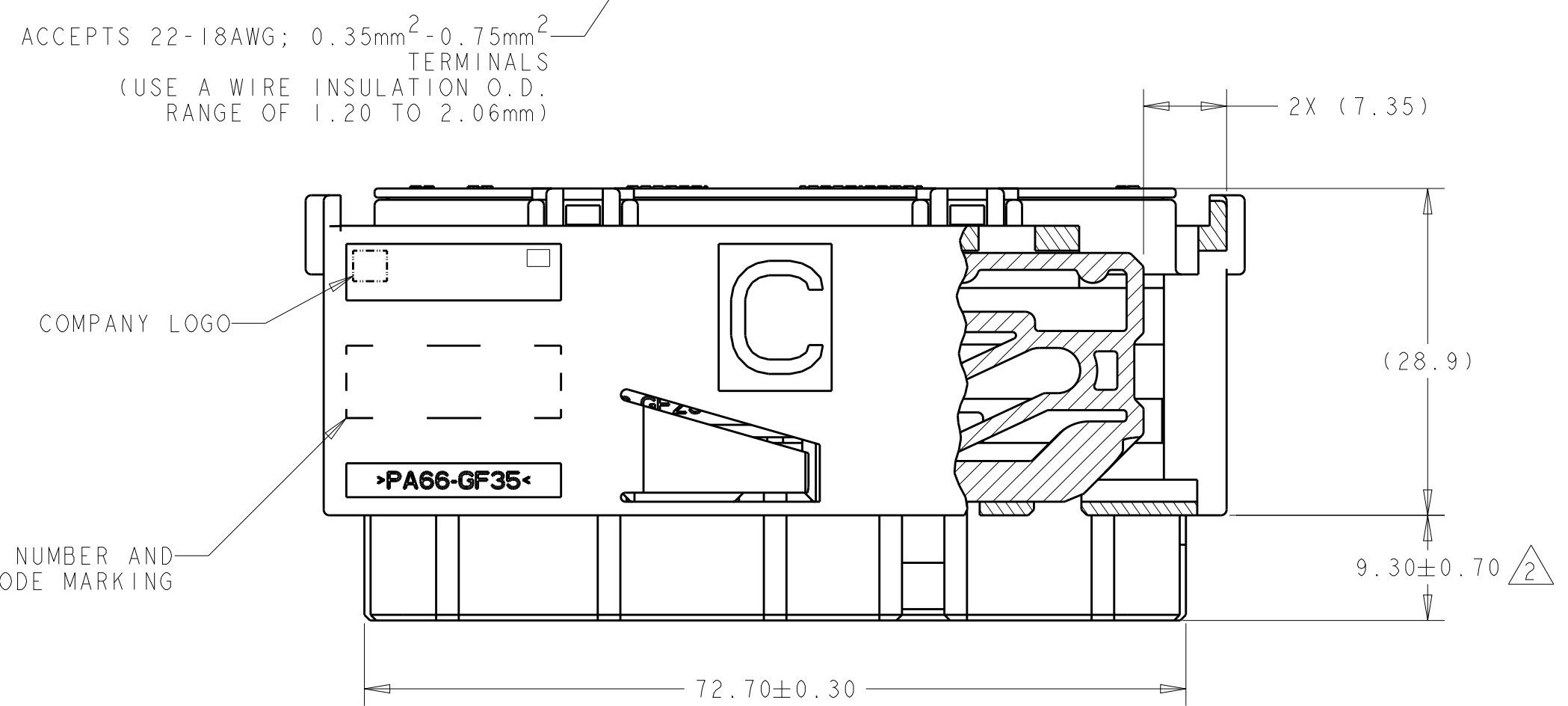
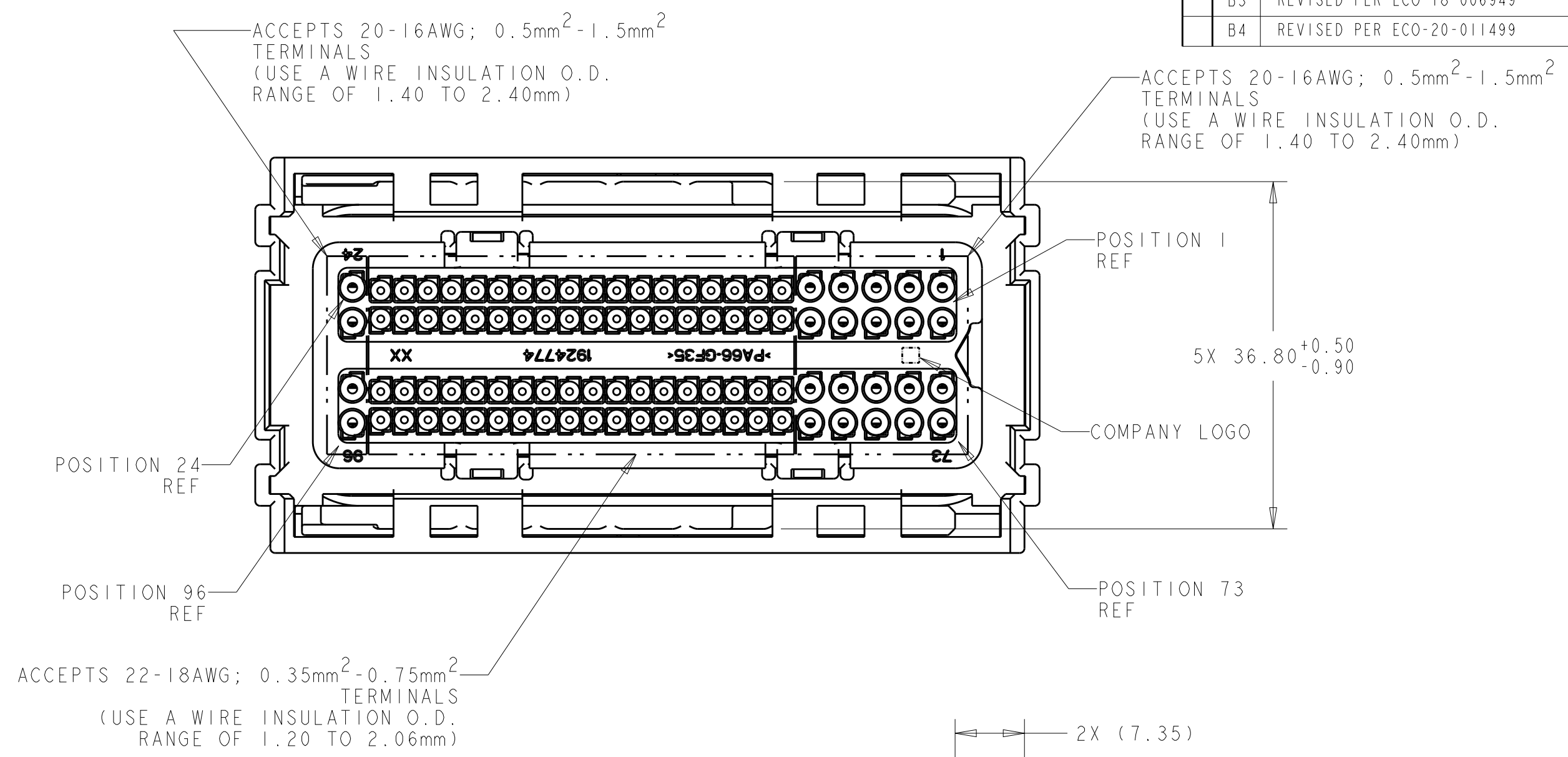


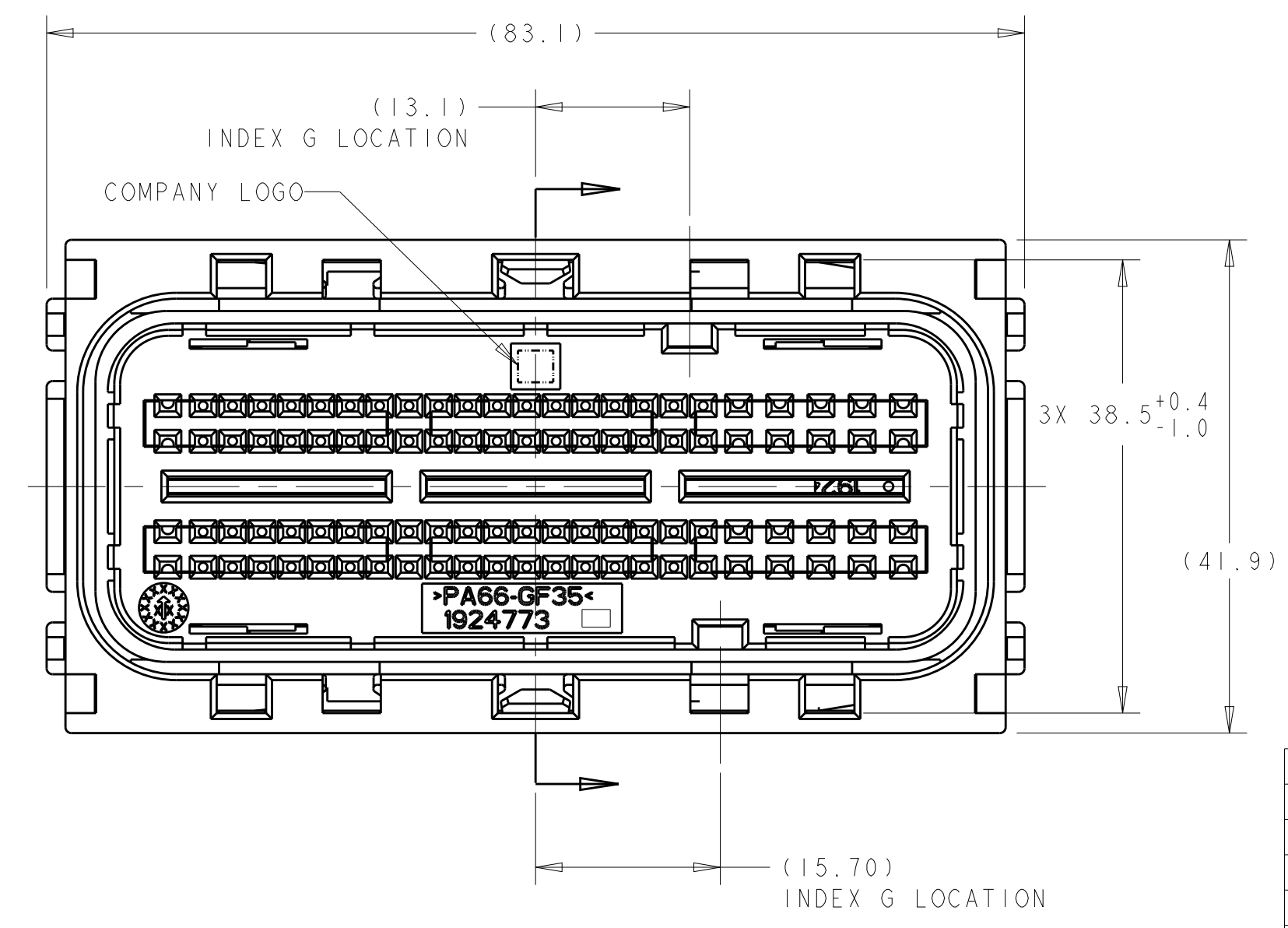
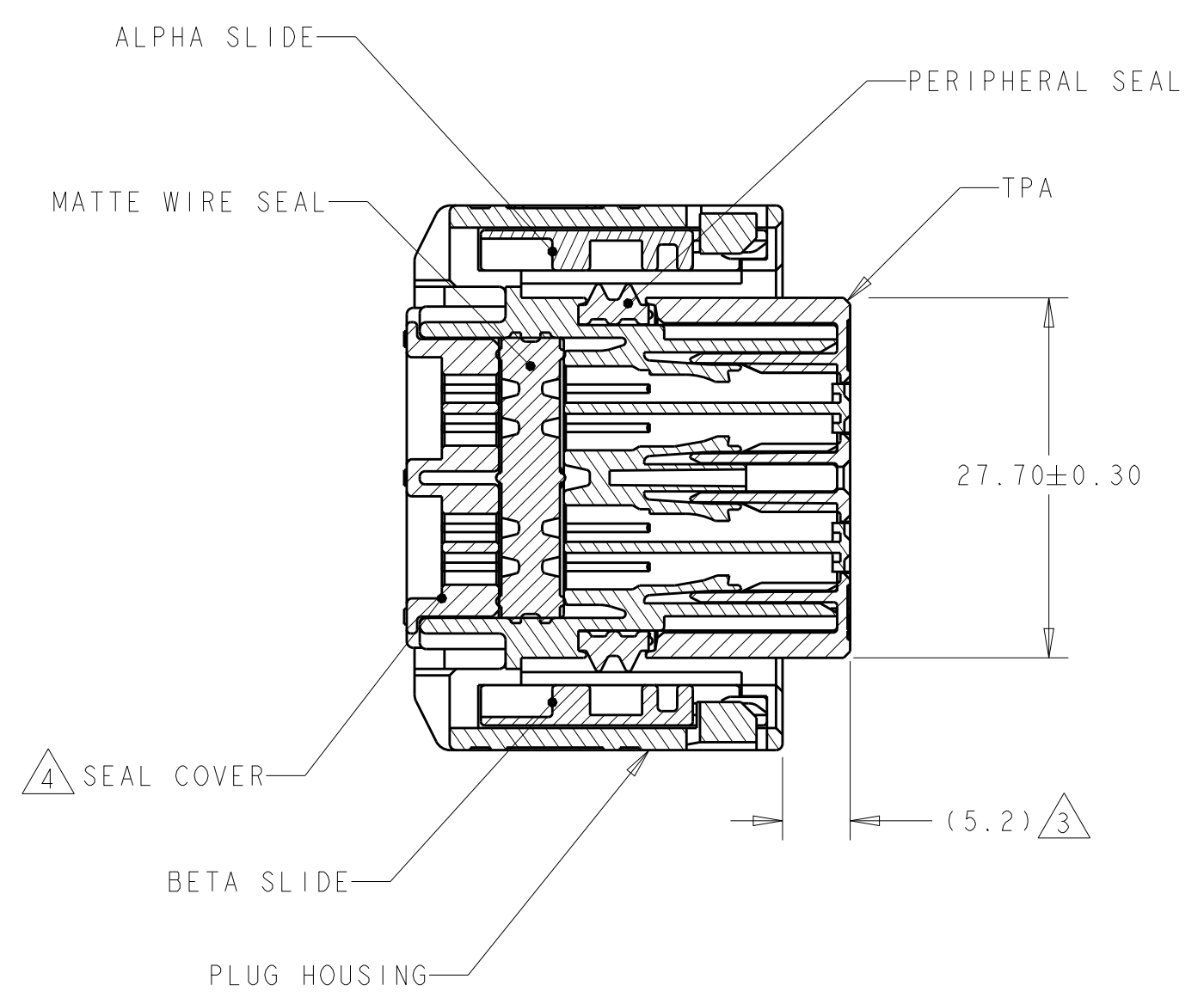
REVISIONS				
P.	LTN	DESCRIPTION	DATE	OWN APVD
B1		REVISED PER ECO-17-003168	07MAR2017	DD GK
B2		REVISED PER ECO-18-003252	02MAR2018	JMS GK
B3		REVISED PER ECO-18-006949	03MAY2018	JMS GK
B4		REVISED PER ECO-20-011499	14AUG2020	CN HC



RIGHT EXIT PLUG ASSEMBLY SHOWN WITH OPTIONAL WIRE DRESS ASSEMBLY (MUST BE PURCHASED SEPARATELY) SCALE 1:1



(METHOD FOR IDENTIFYING EXIT ORIENTATION)



- <sup>1</sup> PLUG HOUSING AND SEAL COVER: NYLON 6/6, BLACK.  
 TPA: NYLON 6/6, COLOR - SEE TABLE.  
 MATTE WIRE SEAL: SILICONE, LIGHT BLUE.  
 PERIPHERAL SEAL: SILICONE, GREEN.  
 ALPHA SLIDE: NYLON 6/6, BLUE.  
 BETA SLIDE: NYLON 6/6, GREEN.
- <sup>2</sup> TPA SHOWN IN PRE-LATCHED, AS SHIPPED, POSITION.
- <sup>3</sup> TPA SHOWN IN CLOSED POSITION.
- <sup>4</sup> SEE TABLE ON SHEET 2 FOR SEAL COVER PIN OUT CONFIGURATION.
- 5. PLUG ASSEMBLY MATES WITH TYCO ELECTRONICS INTERFACE DRAWING 1924771-INT, POLARIZATION A.
- 6. PLUG ASSEMBLY WILL ACCEPT THE FOLLOWING GET TERMINAL PART NUMBERS: 1393364-1 (GOLD 22AWG; 0.35mm<sup>2</sup>)  
 1393365-1 (GOLD 18-20AWG; 0.75mm<sup>2</sup>-0.5mm<sup>2</sup>)  
 1924878-1 (TIN/SILVER 22AWG; 0.35mm<sup>2</sup>)  
 1924879-1 (TIN/SILVER 18-20AWG; 0.75mm<sup>2</sup>-0.5mm<sup>2</sup>)  
 1924782-1 (TIN/SILVER 1.0mm<sup>2</sup>)  
 1924880-1 (TIN/SILVER 16AWG; 1.5mm<sup>2</sup>)

- <sup>1</sup> WIRE DRESS ASSEMBLY MUST BE INSTALLED ONTO PLUG ASSEMBLY WITH LEVER IN LOCKED POSITION.
- <sup>8</sup> APPLICATION SPEC'S: 408-10229, 408-10230
- 9. FORCE TO SEAT TPA COMPONENT FROM PRE-SET TO LOCKED (FULLY LOADED W/ TERMINALS) TO BE 83N MAX.
- 10. FORCE TO MOVE TPA FROM FULLY LOCKED TO PRE-SET TO BE 115N MAX. FLAT BLADE SCREWDRIVER SUGGESTED FOR REMOVAL OF TPA.

ALL CLOSED	GREEN	G	9-2098863-9
SEE TABLE, SH 2	GREEN	G	1-2098863-2
SEE TABLE, SH 2	GREEN	G	1-2098863-1
SEE TABLE, SH 2	GREEN	G	1-2098863-0
SEE TABLE, SH 2	GREEN	G	2098863-9
SEE TABLE, SH 2	GREEN	G	2098863-8
SEE TABLE, SH 2	GREEN	G	2098863-7
SEE TABLE, SH 2	GREEN	G	2098863-6
SEE TABLE, SH 2	GREEN	G	2098863-5
SEE TABLE, SH 2	GREEN	G	2098863-4
SEE TABLE, SH 2	GREEN	G	2098863-3
SEE TABLE, SH 2	GREEN	G	2098863-2
ALL OPEN	GREEN	G	2098863-1
BLOCKED CIRCUITS	TPA COLOR	INDEX REF	PART NUMBER

THIS DRAWING IS A CONTROLLED DOCUMENT.

OWN: D. DRUMMOND 02NOV2010  
 CHK: AJ. VASBINDER 02NOV2010  
 APVD: AJ. VASBINDER 02NOV2010

DIMENSIONS: mm

TOLERANCES UNLESS OTHERWISE SPECIFIED:  
 0 PLC ±  
 1 PLC ±0.25  
 2 PLC ±  
 3 PLC ±  
 4 PLC ±  
 ANGLES ±

MATERIAL: <sup>1</sup>

FINISH: -

WEIGHT: -

CUSTOMER DRAWING

NAME: PLUG ASSEMBLY, 96 POSITION, INDEX G - RIGHT EXIT, SEALED, GPEC IIII

SIZE: A1  
 CAGE CODE: 100779  
 DRAWING NO: 2098863

RESTRICTED TO: -

SCALE: 2:1 SHEET 1 OF 2 REV: B4

