
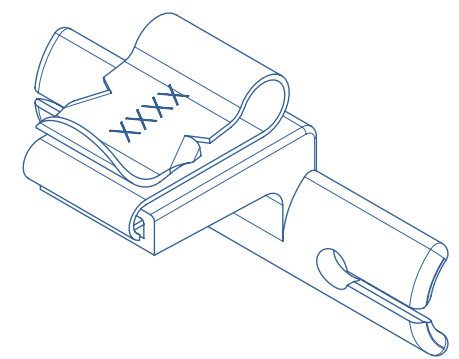
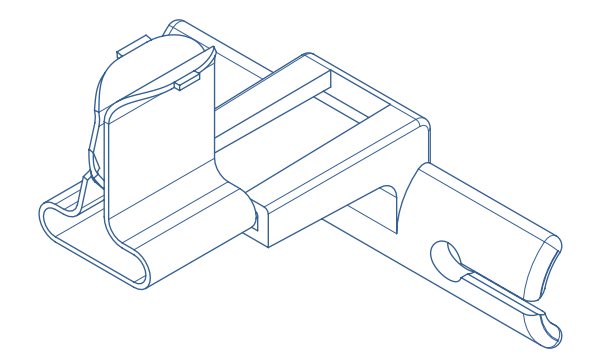


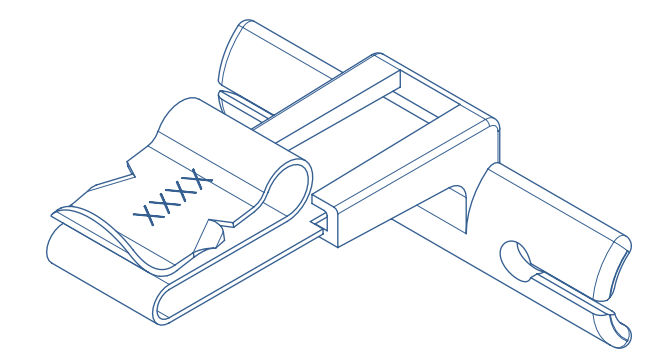
SYMBOL DEFINITION		MISSING SYMBOLS		Revision Level			Revision Record		Changed	Date	Approved	Date
A DIMENSION WITHOUT AN INSPECTION REPORT SYMBOL  DOES NOT REQUIRE INSPECTION. IT MAY BE CONTROLLED ON THE INDIVIDUAL COMPONENT DRAWING.		TOTAL NO. OF INSPECTIONS REQUIRED	NO MISSING SYMBOL NUMBERS	Drawing	State	Part	SEE ECN#	014015	RJE	07/17/17	EJH	07/17/17
		LAST NO. USED		55.0	Design Release							



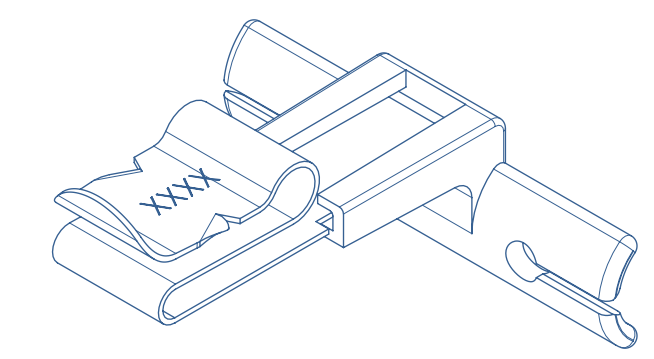
ISOMETRIC VIEW



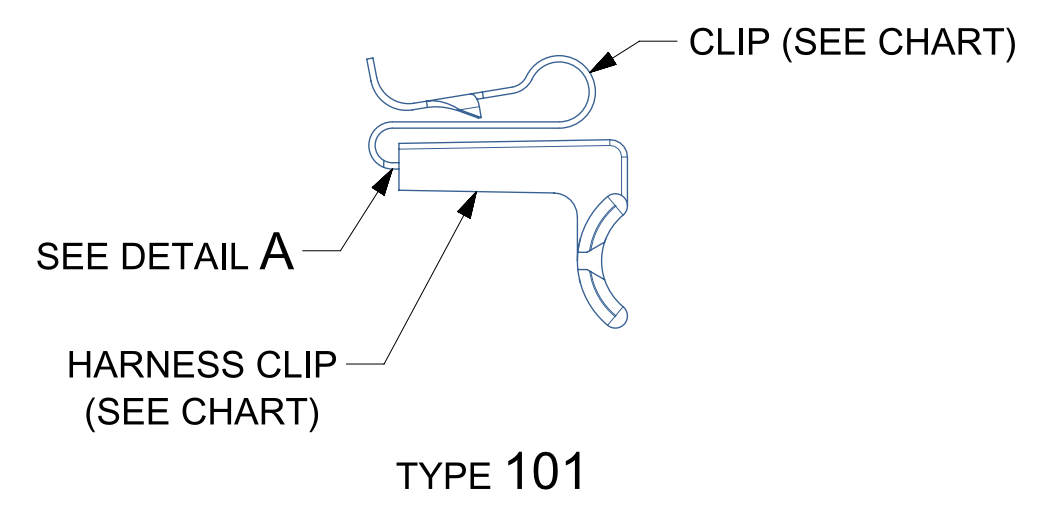
ISOMETRIC VIEW



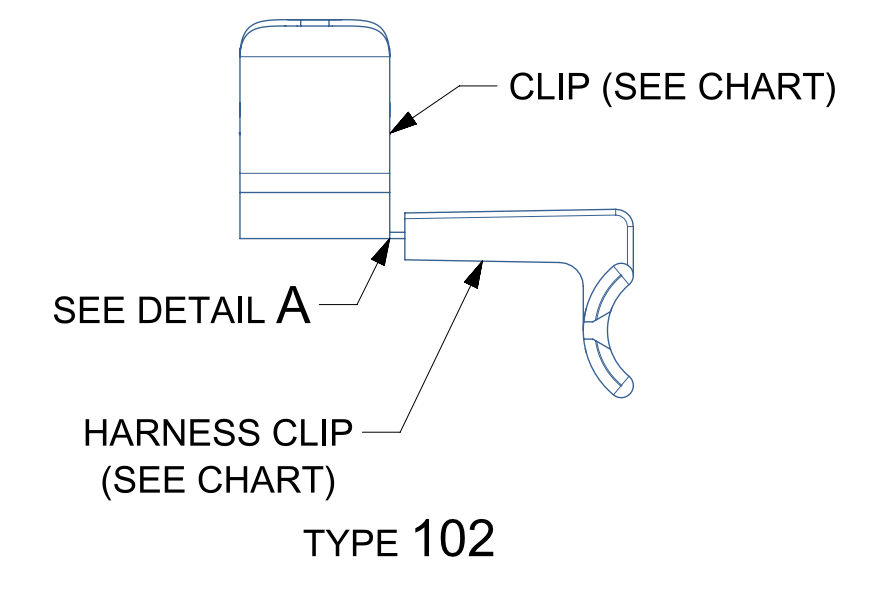
ISOMETRIC VIEW



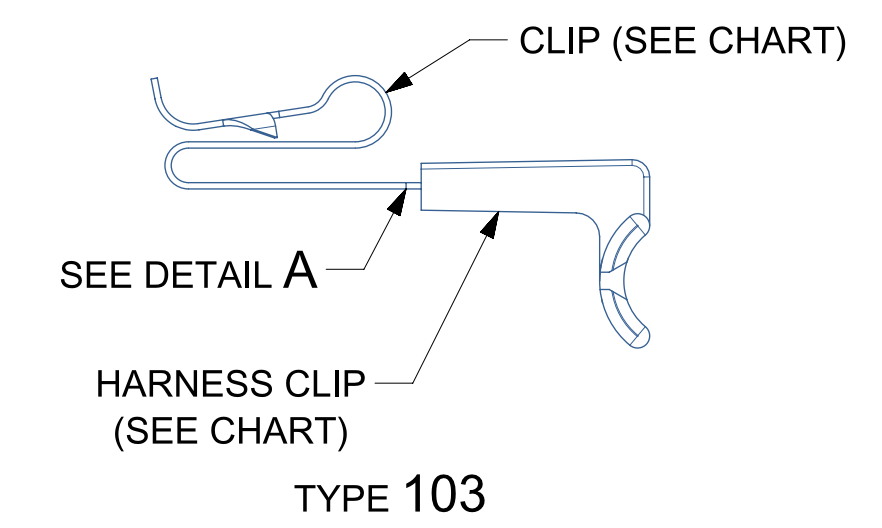
ISOMETRIC VIEW



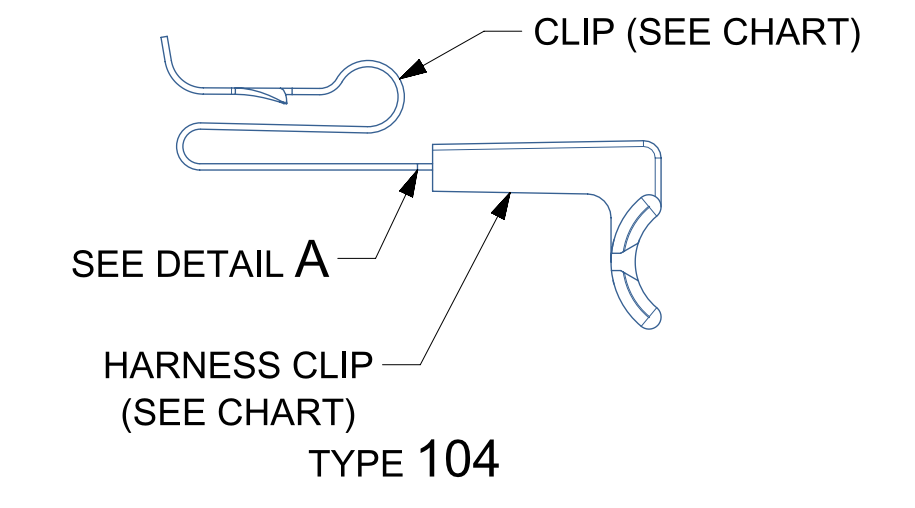
TYPE 101



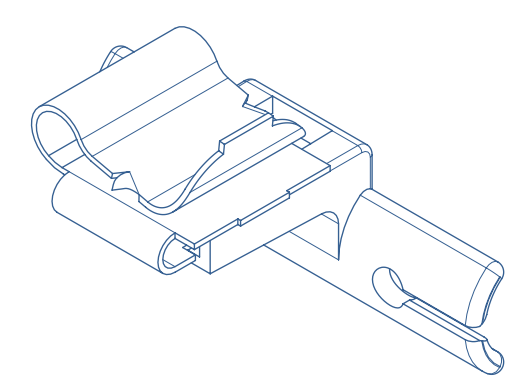
TYPE 102



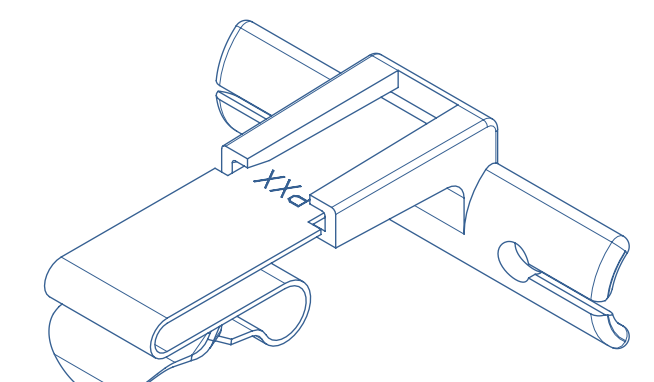
TYPE 103



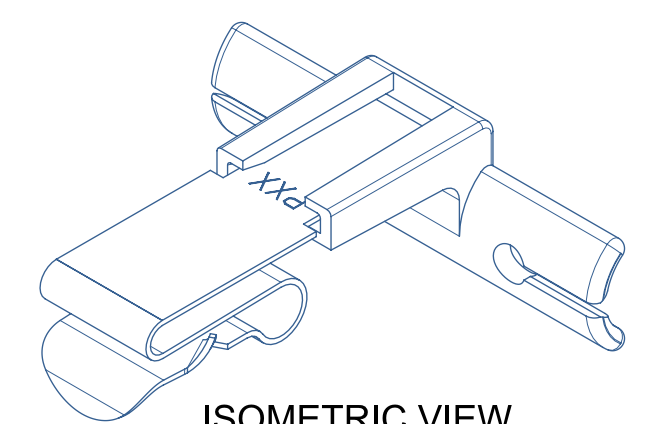
TYPE 104



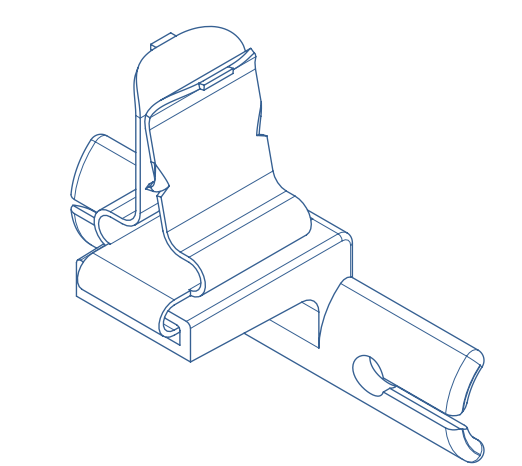
ISOMETRIC VIEW



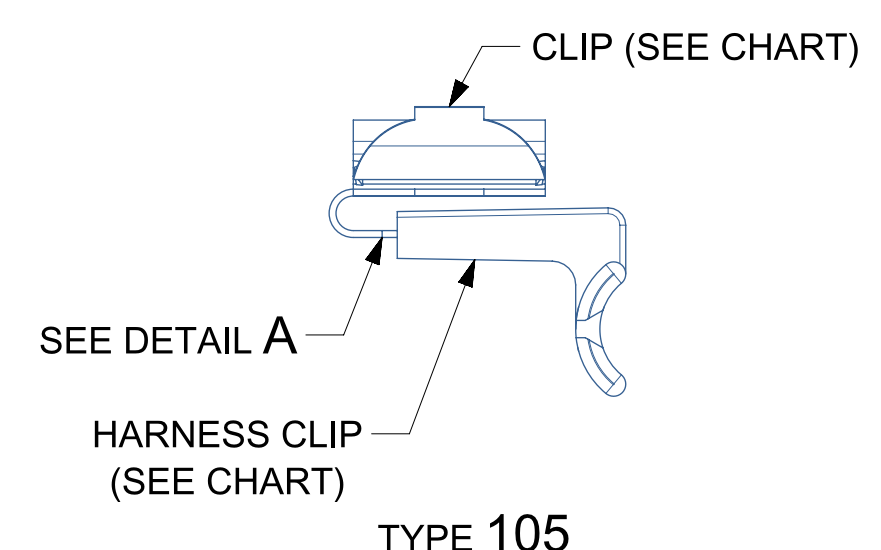
ISOMETRIC VIEW



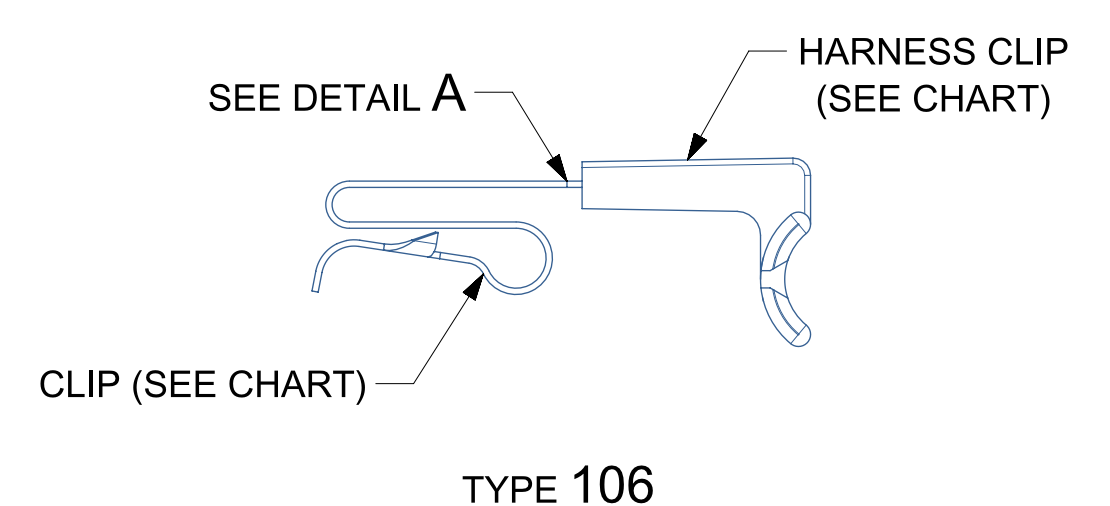
ISOMETRIC VIEW



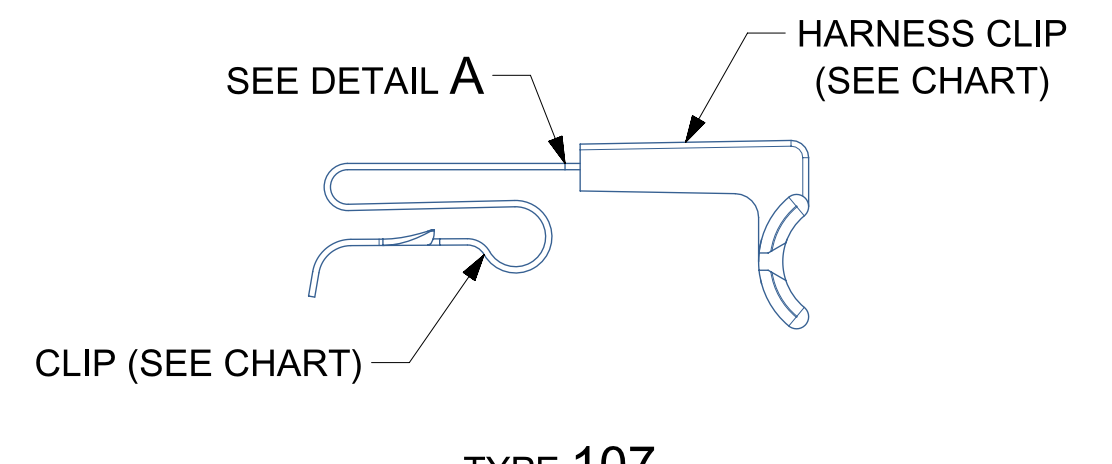
ISOMETRIC VIEW



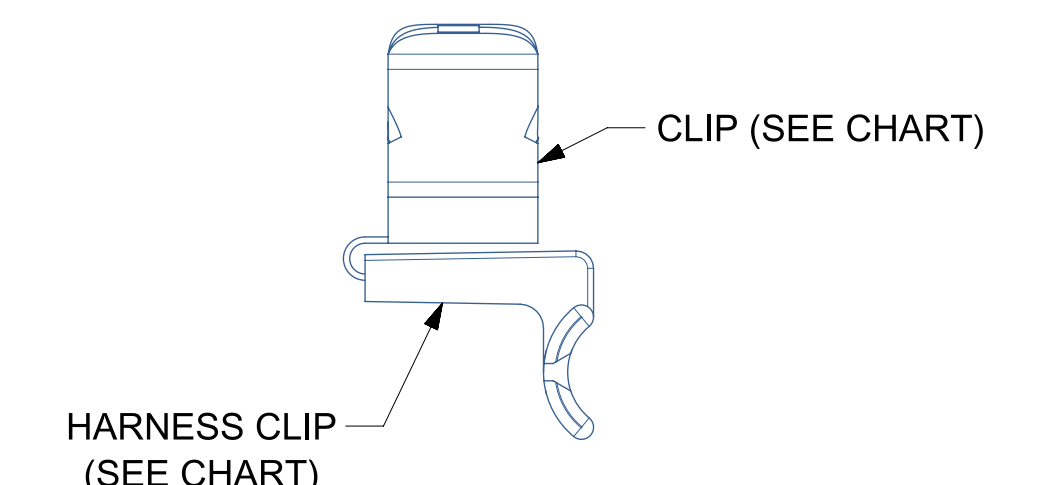
TYPE 105



TYPE 106



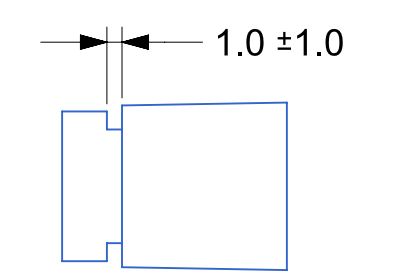
TYPE 107



TYPE 108

NOTES:

- UNLESS OTHERWISE SPECIFIED AND/OR INDICATED:
DIMENSIONS ARE TO FACE OF VIEW SHOWN AND AUTOMATICALLY ROUNDED BY COMPUTER FOR INSPECTION (SEE MATH MODEL FOR PRECISE DIMENSIONS). FOR ALL OTHER DIMENSIONS NOT SHOWN, BUT REQUIRED FOR TOOL BUILD, SEE MATH MODEL FOR PRECISE TOOL PATH DATA.
- OBsolete PART(S) CONTAIN A HEXAVALENT CHROME COATING, DO NOT USE THIS PART ON NEW APPLICATIONS, HEXAVALENT CHROME IS A BAND SUBSTANCE. IF THIS PART IS REQUIRED FOR CURRENT OR FUTURE BUSINESS OR FOR SERVICE REQUIREMENTS, CONTACT THE PRODUCT LINE ENGINEER OF MATERIALS ENGINEERING TO GET A NEW PART THAT IS FREE FROM HEXAVALENT CHROME. JULY 1, 2007 FOR SERVICE REQUIREMENTS.
- THIS PRODUCT IS NOT CATEGORIZED AS AN APPEARANCE ITEM. MINOR IMPERFECTIONS INCLUDING, BUT NOT LIMITED TO, FLOW MARKS, COLOR BLEMISHES, GATE VESTIGES, AND SOFT FLASH THAT DO NOT AFFECT THE FIT, FORM, OR FUNCTION OF THE PART ARE PERMISSIBLE PER SPEC: S-QA-10.3-9
- CLIP SHALL WITHSTAND 6.7 LBS (30N) MINIMUM DISENGAGE FORCE FROM CLIP SLOT OF HARNESS CLIP.



DETAIL A
FOR APPLICABLE METAL CLIP TYPES

ASSEMBLY PROCESS NOTES:

- ASSEMBLE SPRING CLIP SECURELY IN HARNESS CLIP. SEE APPLICABLE DETAIL A

TYPE	ASSY	PART NUMBER	HARNESS CLIP	CLIP	COLOR
101	17-1048	15497207	06288389	15495795	CREAM
102	17-1058	15497208	06288389	15495827	CREAM
103	17-1055	15497234	06288389	15495796	CREAM
104	17-1057	15497210	06288389	15495797	CREAM
105	17-1056	15497213	06288389	15495808	CREAM
106	17-1053	15497249	06288389	15495796	CREAM
107	17-1054	15497239	06288389	15495797	CREAM
108	17-1059	13520675	06288389	15495830	CREAM

DIMENSIONS ENCLOSED IN () INDICATE REFERENCE DIMENSIONS AND NO TOLERANCE LIMITS ARE ESTABLISHED.

Material SEE CHART		Units millimeters	The copyright of this drawing is reserved by HellermannTyton. It is not reproduced, copied or disclosed to a third party, either wholly or in part, without the consent of HellermannTyton.		Drawn RJE	07/17/17	THIS DRAWING SUPERCEDES DELPHI DWG: 08905026 REV 54	
Approved EJH		HellermannTyton North America Email: corp@htamericas.com Web: www.hellermann-tyton.com		Title TAXI ASM MOUN CLIP TAPE ON		Scale 2:1		
Drawing-No 17-1048-001-CSU		PRODUCTION : Phase		Project Number 17-1048		Format D		
				Sheet		1 / 1		