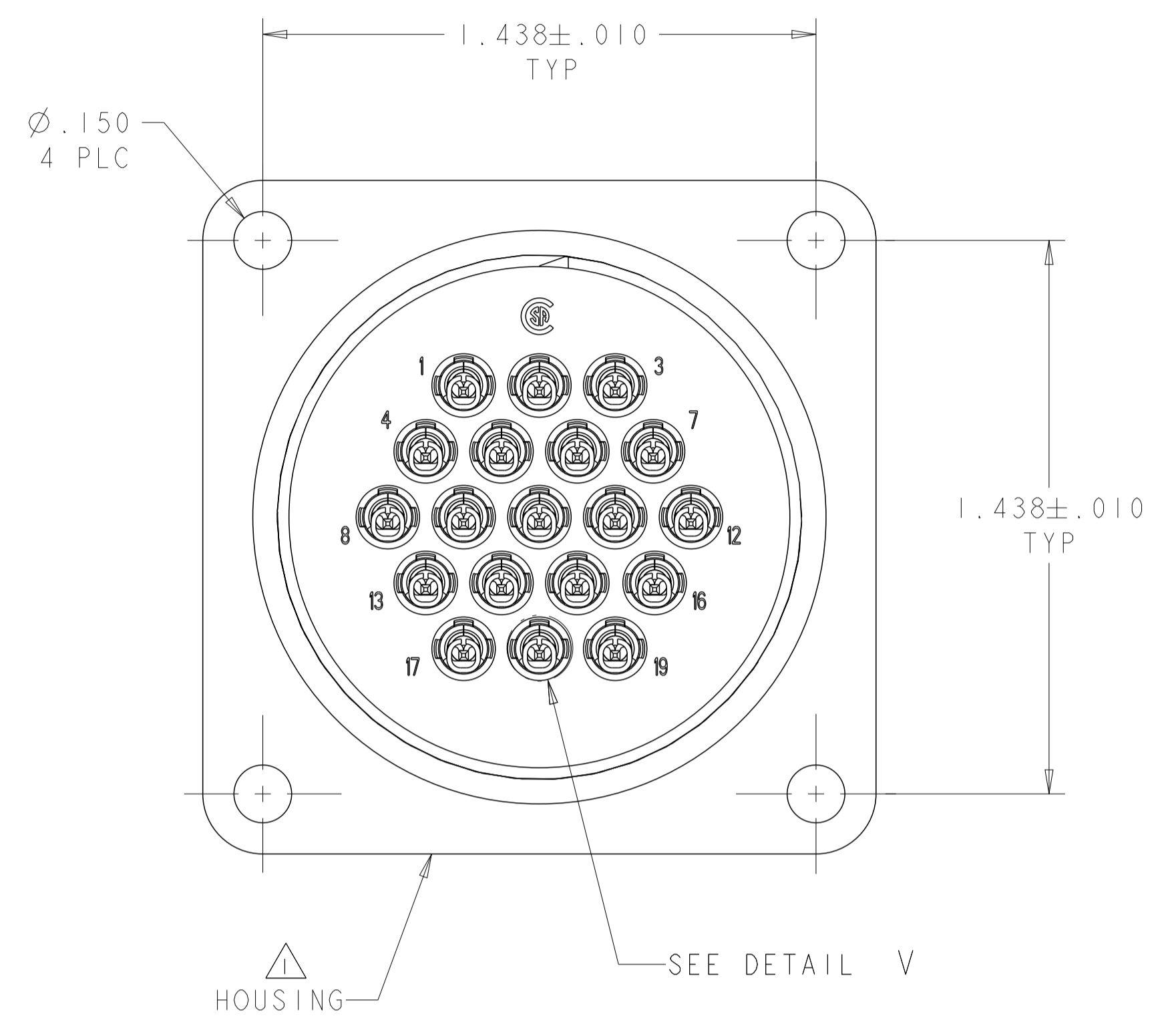
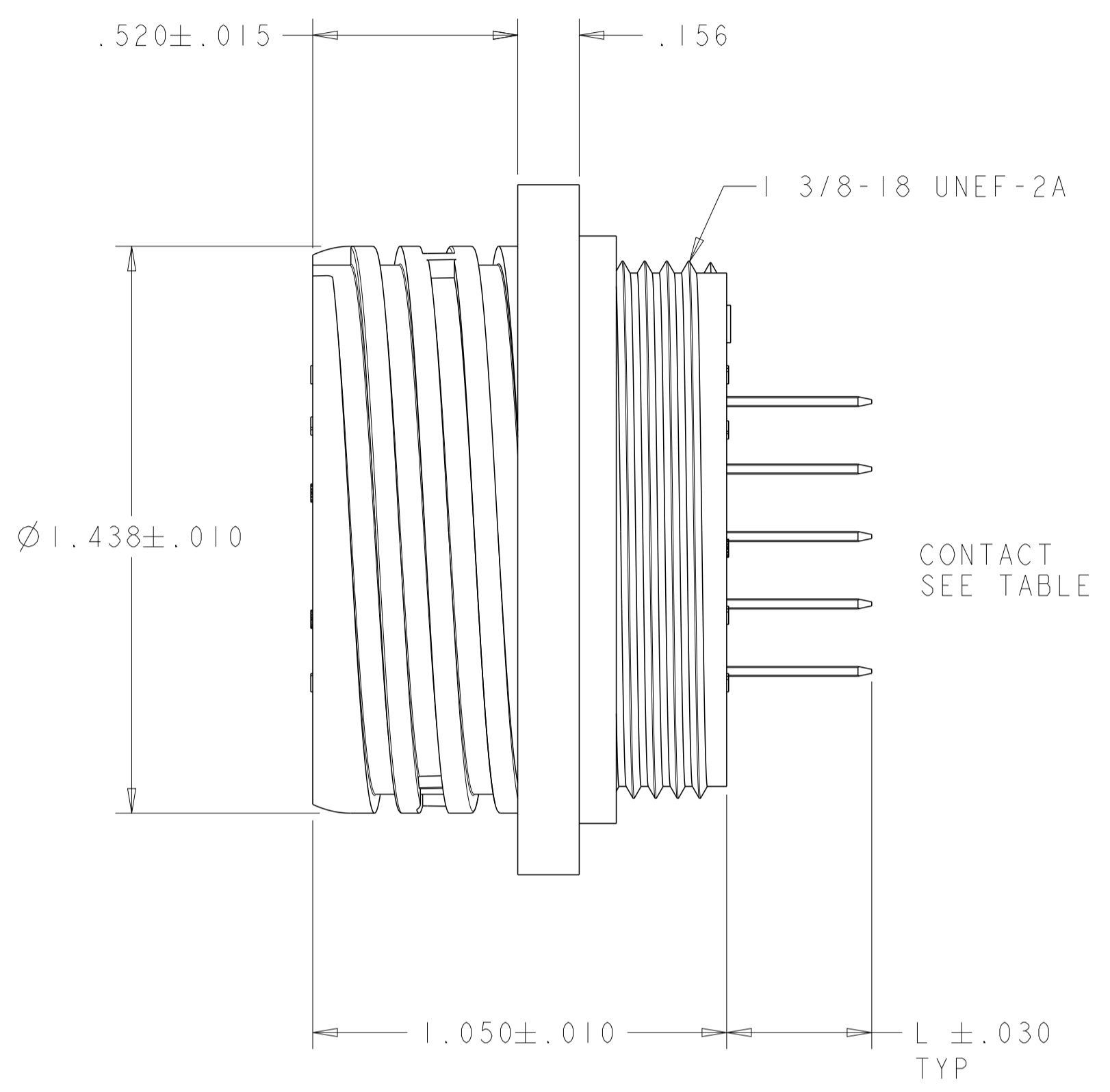
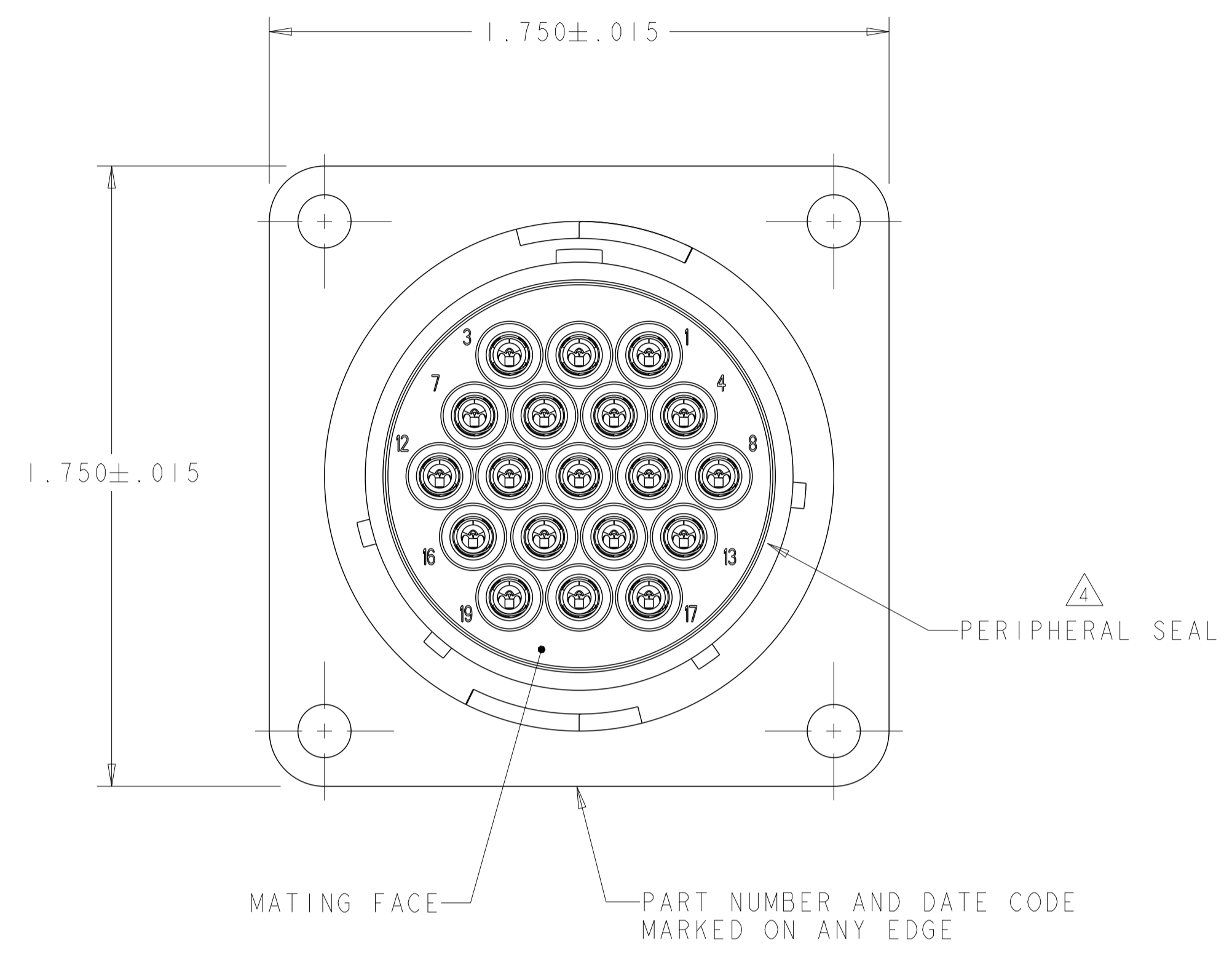


REVISIONS				
P	LTN	DESCRIPTION	DATE	APVD
M2		REVISED PER ECO-16-004800	10SEP2016	NK MZ
N		REVISED PER ECO-16-018356	23MAR2017	RS MZ
P		REVISED PER ECO-19-011232	08AUG2019	RS MZ



- ① HOUSING: NYLON, UL 94 V-0 RATED, COLOR: BLACK.
- ② CONTACT:
BODY - BRASS, .000030 MIN GOLD FOR A LENGTH OF .200 MIN FROM MATING END, GOLD FLASH ON REMAINDER, BOTH OVER .000050 MIN NICKEL.
POST - BRASS, .000100 MIN TIN-LEAD OVER .000050 MIN NICKEL.
- ③ CONTACT:
BODY - BRASS, .000100 MIN TIN-LEAD OVER .000050 MIN NICKEL.
POST - BRASS, .000100 MIN TIN-LEAD OVER .000050 MIN NICKEL.
- ④ PERIPHERAL SEAL: ELASTOMER, COLOR: BLACK.
- ⑤ .009 MAXIMUM CONTACT LEAD-IN SEAM GAP PERMISSIBLE ON MATING FACE END.
- ⑥ CONTACT:
BODY - BRASS, .000030 MIN GOLD OVER .000030 MIN NICKEL.
POST - BRASS, .000100 MIN TIN-LEAD OVER .000050 MIN NICKEL.
- ⑦ CONTACT:
BODY - BRASS, .000100 MIN TIN OVER .000050 MIN NICKEL.
POST - BRASS, .000100 MIN TIN OVER .000050 MIN NICKEL.
- ⑧ CONTACT:
BODY - BRASS, .000030 MIN GOLD FOR A LENGTH OF .200 MIN FROM MATING END, GOLD FLASH ON REMAINDER, BOTH OVER .000050 MIN NICKEL.
POST - BRASS, .000100 MIN TIN OVER .000050 MIN NICKEL.
- ⑨ OBSOLETE PARTS: OBSOLETE CIS STREAMLINING PER D.RENAUD/D.SINISI

STATUS	YES	NO	PLC	CONTACT FINISH	SELECT LOADED IN POSITIONS	PART NUMBER
	YES	NO	.368	⑧	1-4, 7, 8, 10-12, 14-19	1-213781-0
OBSOLETE	NO	YES	.557	⑧	ALL	-213781-9
OBSOLETE	NO	YES	.348	⑦	ALL	-213781-8
⑨ OBSOLETE	YES	NO	.368	⑦	1-4, 7, 8, 10-12, 16-19	-213781-7
	YES	NO	.368	⑥	1-4, 7, 8, 10-12, 16-19	-213781-6
OBSOLETE	YES	NO	.368	③	1-4, 7, 8, 10-12, 16-19	-213781-5
OBSOLETE	YES	NO	.368	③	1-4, 7, 8, 10-12, 16-19	-213781-4
	YES	NO	.368	③	1-4, 7, 8, 10-12, 16-19	213781-2
OBSOLETE	NO	YES	.557	②	ALL	-213781-1
	PERIPHERAL SEAL	L		CONTACT FINISH	SELECT LOADED IN POSITIONS	PART NUMBER

THIS DRAWING IS A CONTROLLED DOCUMENT.

OWN: S. WELDON ZIMAY2003
CHK: S. HEADER ZIMAY2003
APVD: S. HEADER ZIMAY2003

DIMENSIONS: INCHES
TOLERANCES UNLESS OTHERWISE SPECIFIED:
0 PLC ±.0
1 PLC ±.00
2 PLC ±.00
3 PLC ±.000
4 PLC ±.0000
ANGLES ±.0000

MATERIAL: -
FINISH: -

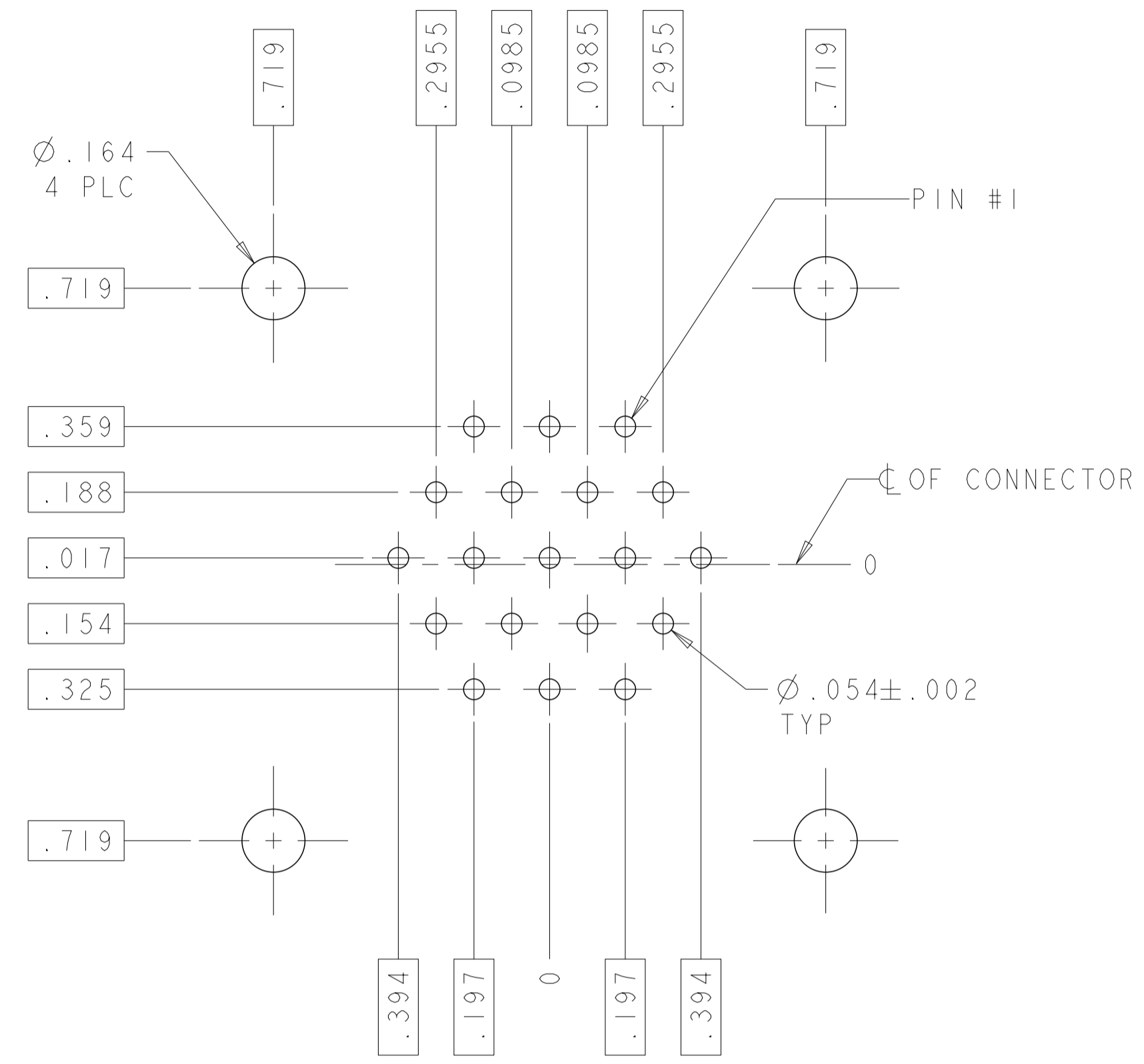
WEIGHT: -
CUSTOMER DRAWING

NAME: RECEPTACLE ASSEMBLY, POSTED, REVERSE SEX, SERIES 1, 23-19, CPC
PRODUCT SPEC: 108-10024
APPLICATION SPEC: 114-10038

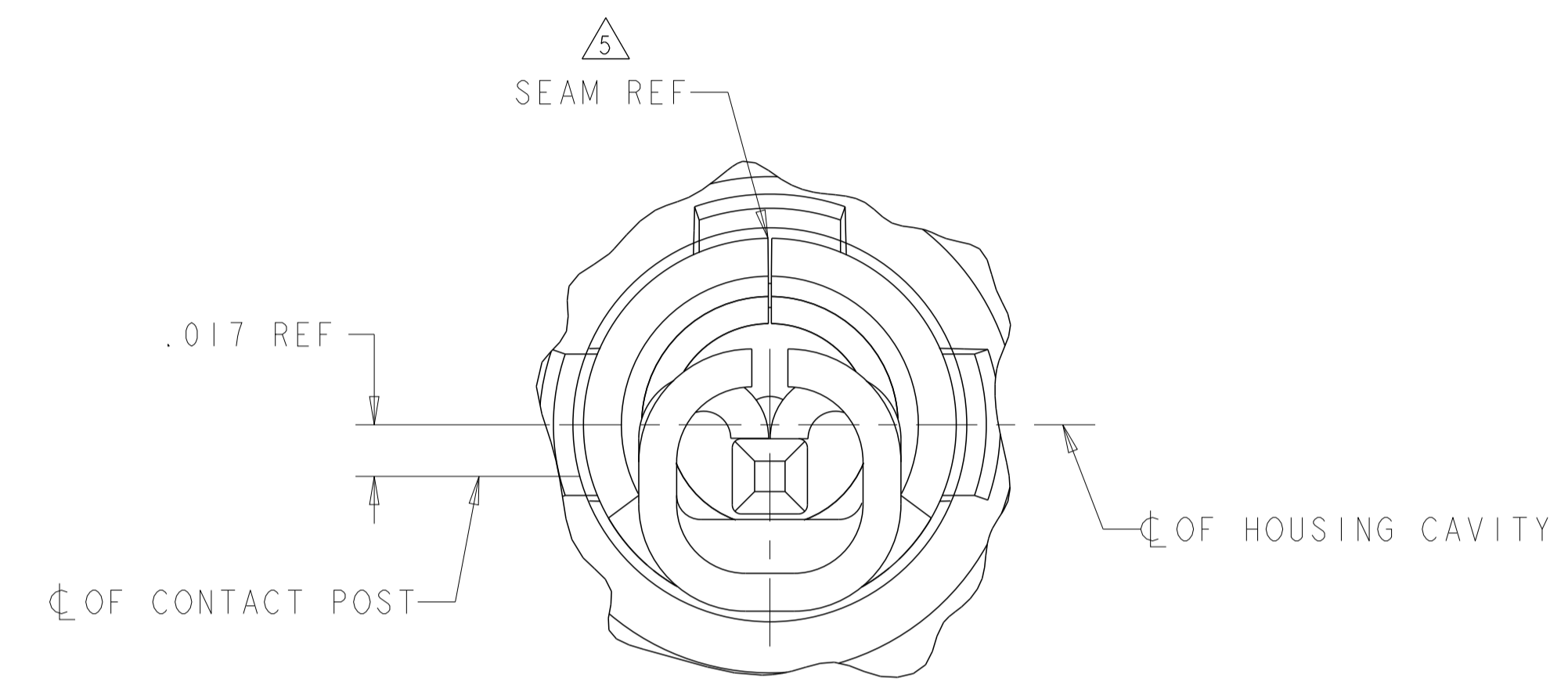
SIZE: A | 00779 | C=213781
SCALE: 3:1
SHEET: 1 OF 2
REV: P

TE Connectivity

REVISIONS				
P	LTN	DESCRIPTION	DATE	APVD
-	-	SEE SHEET 1	-	-



RECOMMENDED PC BOARD LAYOUT



DETAIL V
SCALE 20:1

THIS DRAWING IS A CONTROLLED DOCUMENT.		DWN S. WELDON ZIMAY2003	
DIMENSIONS: INCHES		CHK S. HEADER ZIMAY2003	
TOLERANCES UNLESS OTHERWISE SPECIFIED: 0 PLC ±.0 1 PLC ±0.00 2 PLC ±0.00 3 PLC ±0.000 4 PLC ±0.0000 ANGLES ±.		APVD S. HEADER ZIMAY2003	NAME RECEPTACLE ASSEMBLY, POSTED, REVERSE SEX, SERIES 1, 23-19, CPC
MATERIAL		108-10024	SIZE CAGE CODE DRAWING NO RESTRICTED TO
FINISH		114-10038	A 100779 C=213781
CUSTOMER DRAWING		WEIGHT	SCALE 3:1 SHEET 2 OF 2 REV P