

1 2 3 4 5 6

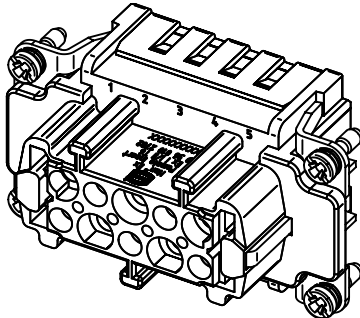
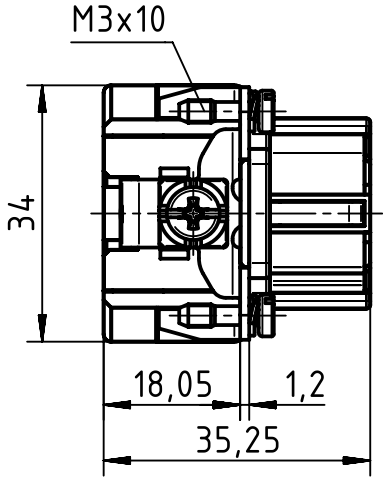
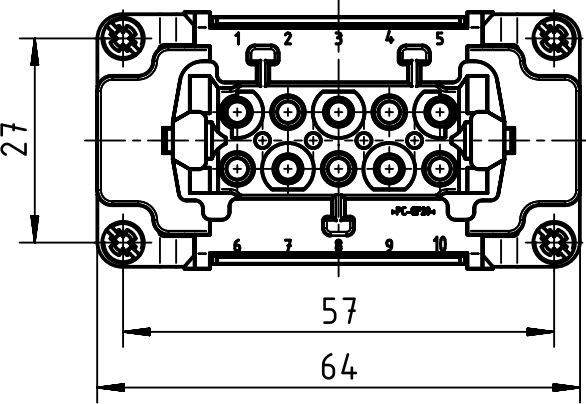
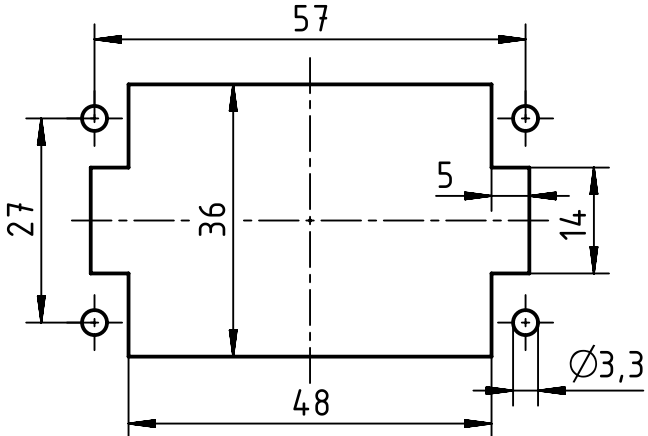
A

B

C

D

panel cut out



| | | | | | | |
|-----------------------|--|---|------------------------|--------------------------|-----------------------------|---|
| | All rights reserved Department EL PD - DE | All Dimensions in mm Original Size DIN A4 | | Scale 1:1 | Free size tol. | Ref. |
| | | HARTING Electric GmbH & Co. KG D-32339 Espelkamp | Created by HELLMANN | Inspected by BERGHORN | Standardisation TIEMANNA | Date 2017-04-27 |
| Title Han 10Ex-F-c | | | | | | Doc-Key / ECM-Nr. 1006194.09/UGD/001/B 500000116479 |
| Type TB | | | | Number 09 36 010 2702 | | Rev. B |
| | | | | | | Page 1/1 |