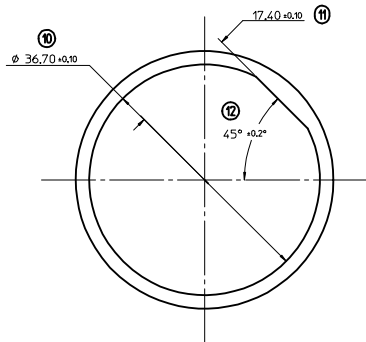
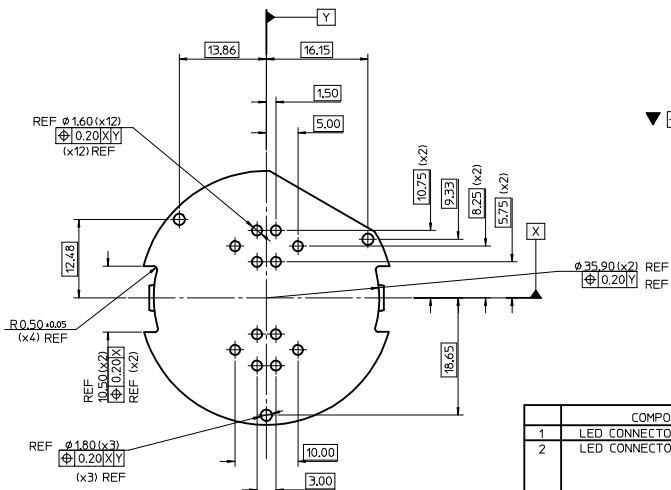


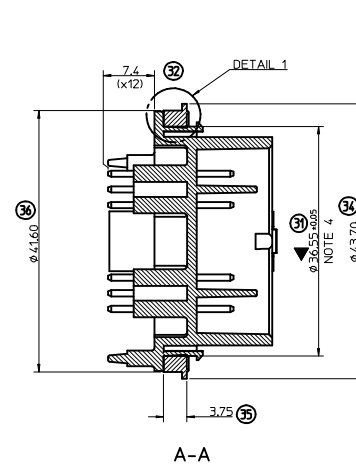
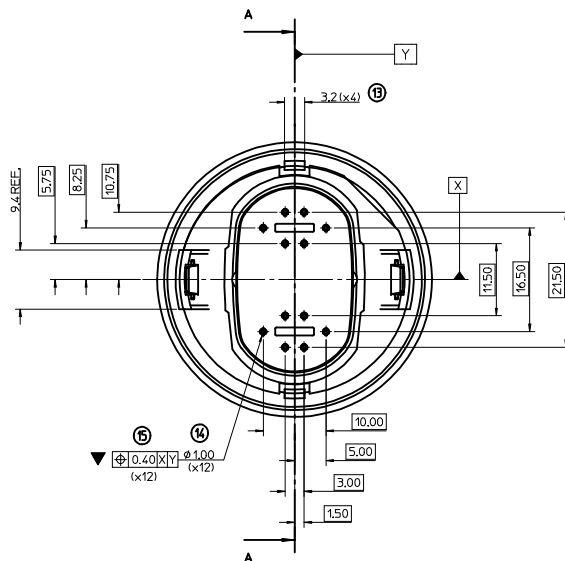
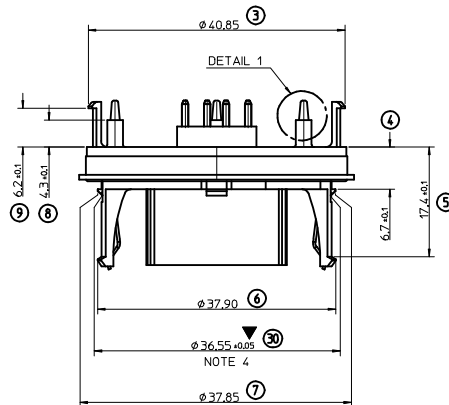
DETAIL 1



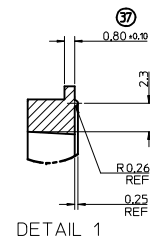
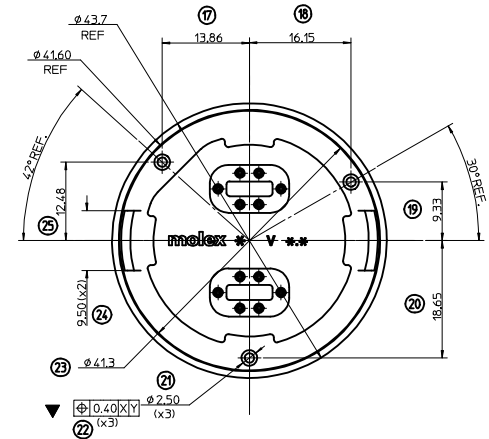
RECOMMENDED PANEL OPE VIEW FROM CABLE SIDE



RECOMMENDED PCB LAYOUT, VIEW TOP SIDE
RECOMMENDED PCB THICKNESS 1.6 mm



A-A



DETAIL 1

COMPONENT	DESCRIPTION
1 LED CONNECTOR TOP	PBT 30% GF. COLOUR BLACK
2 LED CONNECTOR PIN	PHOSPHOR BRONZE PLATING: NICKEL ALL OVER Au OVER PdNi IN SELECTED AREAS
3 LED CONNECTOR SEAL	TPE, COLOUR NATURAL
4 LED CONNECTOR SPRING	STAINLESS STEEL

NOTES

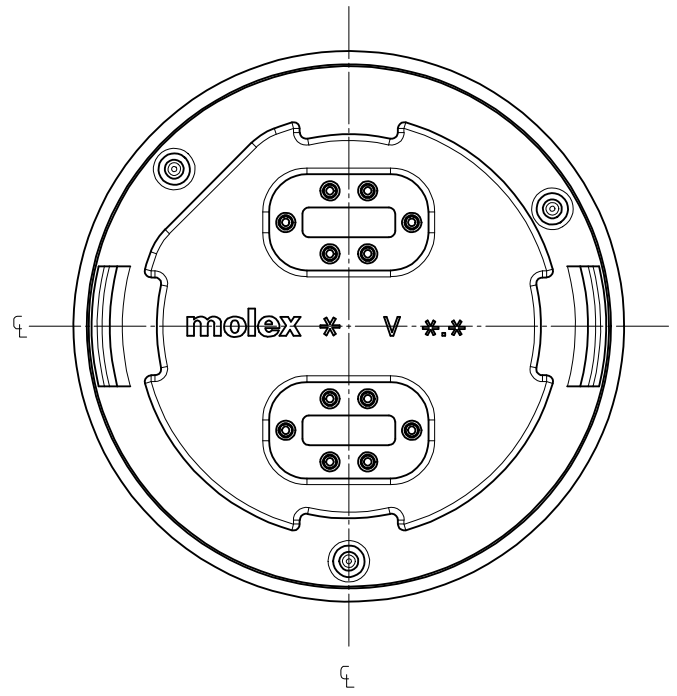
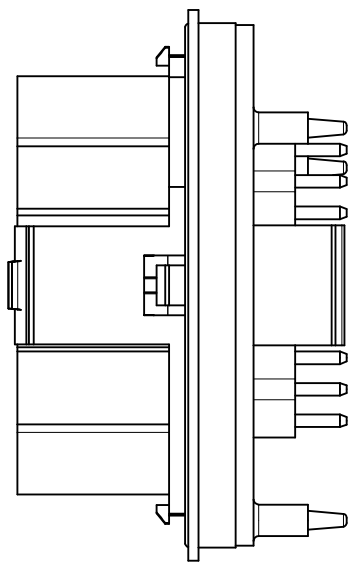
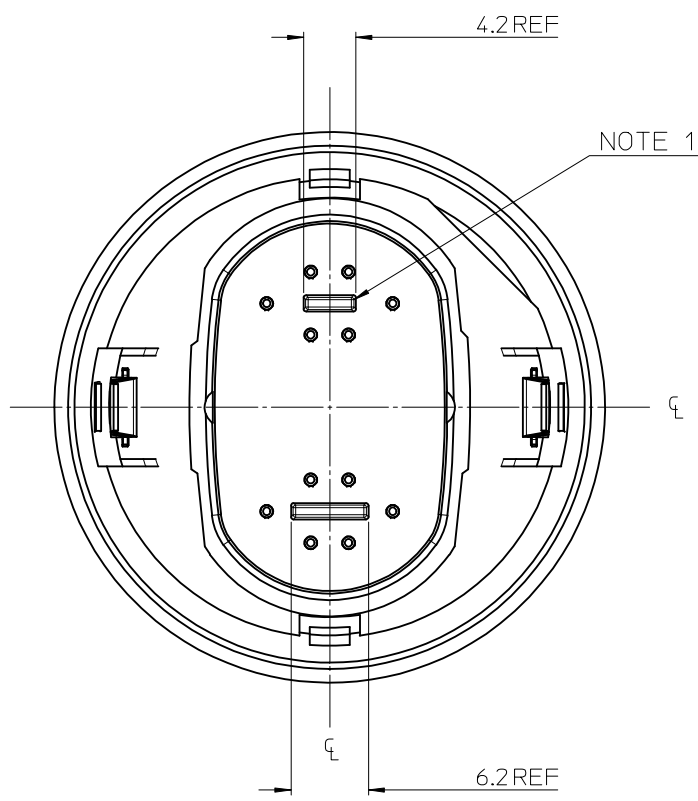
- SEE CHART FOR MATERIAL AND PLATING INFORMATION
- PACKAGING: SEE PK-93056-001
- SEE PRODUCT SPEC PS-93056-001
- DIAMETER MEASURED AT TOP
LAST INSPECTION NUMBER USED 31

DELETED INSPECTION NUMBER 16 & 26
ADDED INSPECTION NUMBERS 30, 31, 32, 33, 34, 35, 36 & 37

ADDED SHEET 2 T1: DRW:DMAHER 2015/05/08 CHKD: APPR:STRIGRIF:IN 2015/08/19	QUALITY SYMBOLS ▽=4 ▽=0	GENERAL TOLERANCES (UNLESS SPECIFIED) mm INCH 4 PLACES ± --- ± --- 3 PLACES ± --- ± --- 2 PLACES ± 0.15 ± --- 1 PLACE ± 0.3 ± --- ANGULAR ± 2°	DIMENSION STYLE MM ONLY	SCALE 2.5:1	DESIGN UNITS METRIC	THIRD ANGLE PROJECTION
	DRAWN BY: DMAHER DATE: 7/11/2007 CHECKED BY: MSHANAHAN DATE: 7/11/2007 APPROVED BY: EFOLAN DATE: 7/11/2007		TITLE LED CONNECTOR ASSEMBLY			
	MATERIAL NO. 930560021		DOCUMENT NO. SD-93056-002			
	DRAFT WHERE APPLICABLE MUST REMAIN WITHIN DIMENSIONS		SHEET NO. 1 OF 2			

THIS DRAWING CONTAINS INFORMATION THAT IS PROPRIETARY TO MOLEX INCORPORATED AND SHOULD NOT BE USED WITHOUT WRITTEN PERMISSION

10 9 8 7 6 5 4 3 2 1



NOTES

1. POLARIZING FEATURE
2. FOR ALL OTHER DIMENSIONS AND SPECIFICATIONS SEE SHEET 1

ADDED OPTION EC NO: IPG2015-1852 DRW:DMAHER 2015/05/08 CHKD: APPR:STGRIFFIN 2015/08/19	QUALITY SYMBOLS	GENERAL TOLERANCES (UNLESS SPECIFIED)	DIMENSION STYLE	SCALE	DESIGN UNITS	THIRD ANGLE PROJECTION
	▼=0 ◻=0	mm INCH 4 PLACES ± --- ± --- 3 PLACES ± --- ± --- 2 PLACES ± 0.15 ± --- 1 PLACE ± 0.3 ± --- 0 PLACE ± ±	MM ONLY	2.5:1	METRIC	
	DESCRIPTION	ANGULAR ± 2 ° DRAFT WHERE APPLICABLE MUST REMAIN WITHIN DIMENSIONS	DRAWN BY: DMAHER CHECKED BY: MSHANAHAN APPROVED BY: EFOLAN DATE: 7/11/2007	TITLE LED CONNECTOR ASSEMBLY		
	REV		MATERIAL NO. 930560605	DOCUMENT NO. SD-93056-002	SHEET NO. 2 OF 2	

molex

THIS DRAWING CONTAINS INFORMATION THAT IS PROPRIETARY TO MOLEX INCORPORATED AND SHOULD NOT BE USED WITHOUT WRITTEN PERMISSION

9 8 7 6 5 4 3 2 1