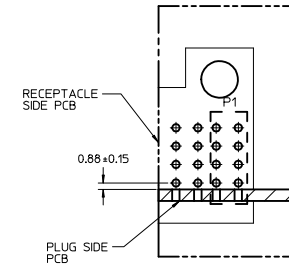
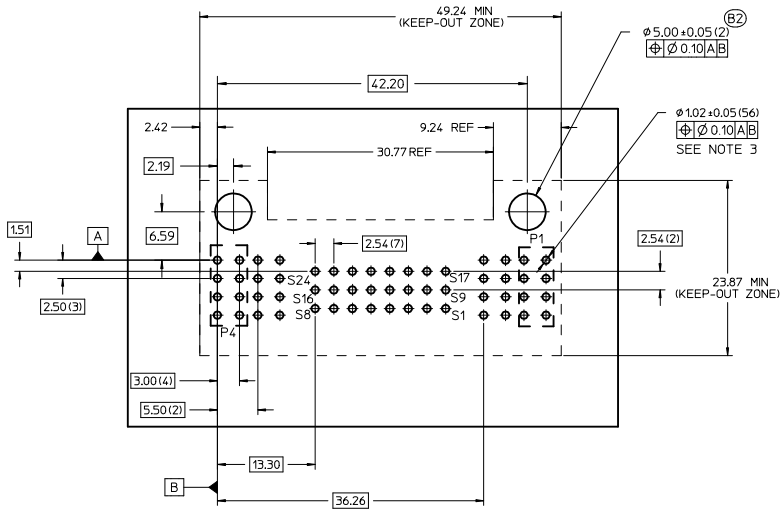


P/N: 46562-3004



SECTION Z-Z

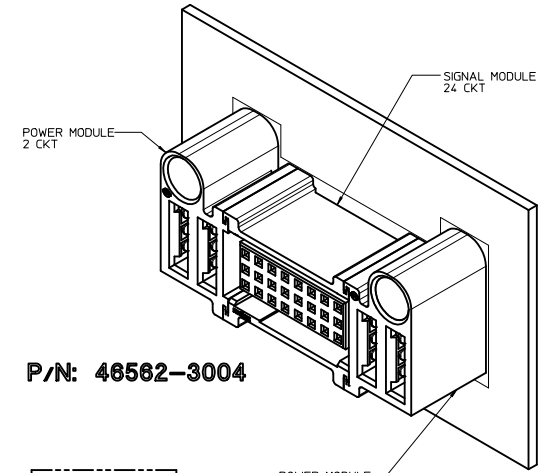
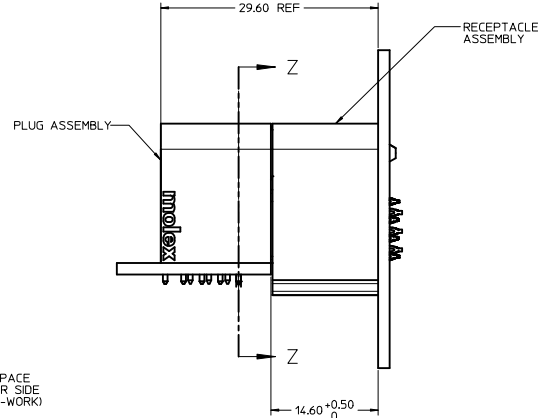
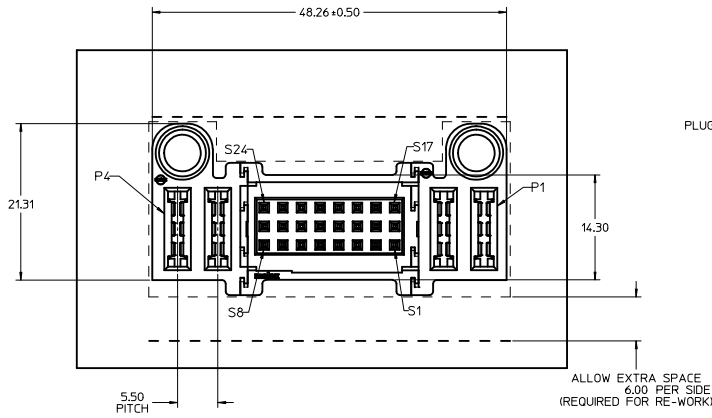
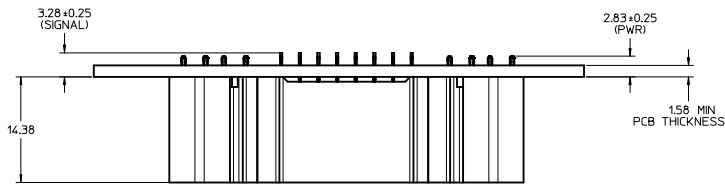


RECOMMENDED PCB LAYOUT AND KEEP-OUT ZONE

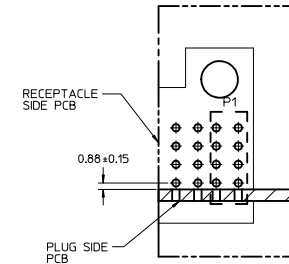
NOTES:

- MATERIAL:
  - HOUSINGS: LCP UL94 V-0, COLOR: BLACK.
  - TERMINALS: COPPER ALLOY.
  - PLATING: 0.000127 NICKEL OVERALL WITH 0.00254 SELECTIVE MATTE TIN ON COMPLIANT PINS. AND 0.000762 SELECTIVE GOLD ON CONTACT AREA.
- ASSEMBLIES PACKED IN TRAYS. SPO: TBD.
- PC BOARD REQUIRES THRU HOLES. REFER TO PS-46436-100 FOR DETAILS.
- PRODUCT SPEC: PS-46436-100.
- APPLICATION SPEC: AS-46436-100.
- PRODUCT TO MEET RoHS REQUIREMENTS.
- ASSEMBLY MATES WITH PLUG ASSEMBLY. P/N 46437-3004.

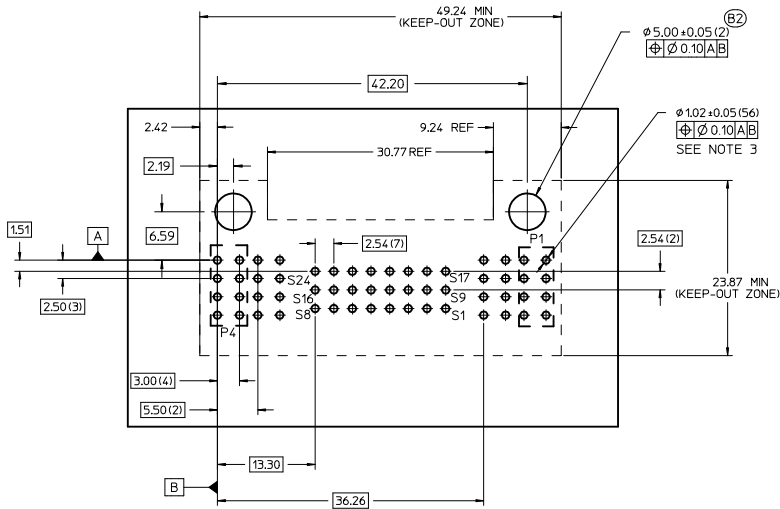
ADD CLEARANCE HOLES IEC NO: LCP2010-3218 DRAWN/KOSTIC 2010/06/16 CHK/CHUNG 2010/07/01 APPR/APATEL 2010/07/16	QUALITY SYMBOLS	GENERAL TOLERANCES (UNLESS SPECIFIED)		DIMENSION STYLE MM ONLY		SCALE 3:1	DESIGN UNITS METRIC	THIRD ANGLE PROJECTION
		mm	INCH	DRAWN BY KJKOH	DATE 2009/03/11	TITLE VERT RECT ASSY TG-2P-24S-2P-TG TEN60, PRESS-FIT (B1)		
		DRAFT WHERE APPLICABLE MUST REMAIN WITHIN DIMENSIONS		CHECKED BY LNG	DATE	MATERIAL NO. 46562-3004		
		ANGULAR ±1/2°		APPROVED BY SHONG	DATE 2010/07/01	DOCUMENT NO. SD-46562-304		
				MATERIAL NO. 46562-3004		SHEET NO. 1 OF 1		



P/N: 46562-3004



SECTION Z-Z



RECOMMENDED PCB LAYOUT AND KEEP-OUT ZONE

NOTES:

- MATERIAL:
  - HOUSINGS: LCP UL94 V-0, COLOR: BLACK.
  - TERMINALS: COPPER ALLOY.
  - PLATING: 0.000127 NICKEL OVERALL WITH 0.00254 SELECTIVE MATTE TIN ON COMPLIANT PINS. AND 0.000762 SELECTIVE GOLD ON CONTACT AREA.
- ASSEMBLIES PACKED IN TRAYS. SPO: TBD.
- PC BOARD REQUIRES THRU HOLES. REFER TO PS-46436-100 FOR DETAILS.
- PRODUCT SPEC: PS-46436-100.
- APPLICATION SPEC: AS-46436-100.
- PRODUCT TO MEET RoHS REQUIREMENTS.
- ASSEMBLY MATES WITH PLUG ASSEMBLY. P/N 46437-3004.

ADD CLEARANCE HOLES IEC NO: LCP2010-3218 DRAWN/KOSTIC 2010/06/16 CHK/CHUNG 2010/07/01 APPR/APATEL 2010/07/16	QUALITY SYMBOLS	GENERAL TOLERANCES (UNLESS SPECIFIED)		DIMENSION STYLE MM ONLY		SCALE 3:1	DESIGN UNITS METRIC	THIRD ANGLE PROJECTION
		mm	INCH	DRAWN BY KJKOH	DATE 2009/03/11	TITLE VERT RECEPT ASSY TG-2P-24S-2P-TG TEN60, PRESS-FIT (B1)		
		4 PLACES ±---	±---	CHECKED BY LNG	DATE	MATERIAL NO. 46562-3004		
		2 PLACES ±0.25	±---	APPROVED BY SHONG	DATE 2010/07/01	DOCUMENT NO. SD-46562-304		
	1 PLACE ±0.25	±---	ANGULAR ±1/2°		MATERIAL NO. 46562-3004		SHEET NO. 1 OF 1	
	DRAFT WHERE APPLICABLE MUST REMAIN WITHIN DIMENSIONS		SIZE D		THIS DRAWING CONTAINS INFORMATION THAT IS PROPRIETARY TO MOLEX INCORPORATED AND SHOULD NOT BE USED WITHOUT WRITTEN PERMISSION			