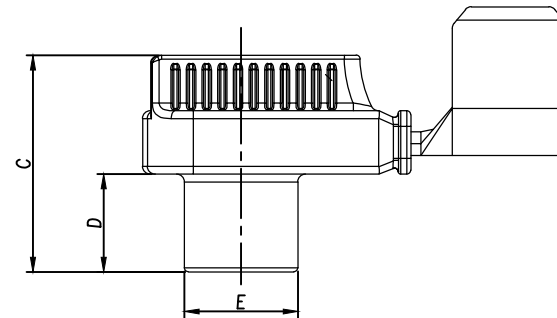
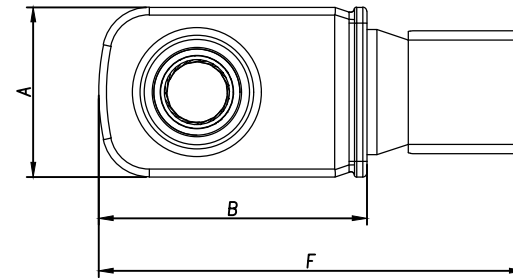
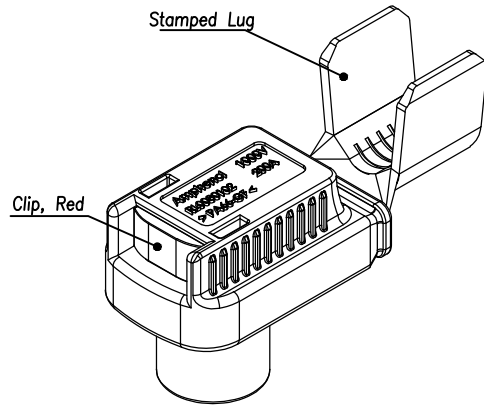


THIS DRAWING IS SUPPLIED FOR INFORMATION ONLY. DESIGN FEATURES, SPECIFICATIONS AND PERFORMANCE DATA SHOWN HEREON ARE THE PROPERTY OF THE AMPHENOL CORPORATION. NO RIGHTS OF REPRODUCTION ARE IMPLIED. ALL DIMENSIONS ARE SUBJECT TO NORMAL MANUFACTURING VARIATIONS.

# CUSTOMER DRAWING

REVISIONS					
REV	ECN No.	DESCRIPTION	DATE	BY	APPR
A	--	INITIAL RELEASE	04/03/15	VF	EC
B	160702	Add Connector Type and Change Dim for RL00802 and RL01002, RL01202	07/25/16	JG	TS
C	--	Remove the RL14.0 specification.	02/23/18	KW	JG



Ordering Example:

RadLok \_\_\_\_\_

RadLok Connector Verison \_\_\_\_\_

RadLok Size:  $\varnothing 8.0\text{mm}$  \_\_\_\_\_

Lug Type: Stamped \_\_\_\_\_

Cable Size:  $50\text{mm}^2$  \_\_\_\_\_

Connector Color: Orange \_\_\_\_\_

Black \_\_\_\_\_

Red \_\_\_\_\_

RL 0 080 2 - 50

### Specification

Size (mm)	A (mm)	B (mm)	C (mm)	D (mm)	E (mm)	F (mm)	Wire Size ( $\text{mm}^2$ )	Current(A)	Ordering Number
3.6	15.5	27.0	18.0	7.3	8.1	38.8	10	70	RL00362-10
5.7	18.5	30.0	21.9	9.2	11.2	43.6	16	90	RL00572-16
							25	120	RL00572-25
8.0	21.7	34.3	27.7	12.5	14.5	50.1	35	150	RL00802-35
							54.4	200	RL00802-50
10.0	25.7	35.7	33.8	16.6	17.0	62.0	70	250	RL01002-70
							95	300	RL01002-95
12.0	28.5	44.5	33.8	15.0	20.0	70.3	120	400	RL01202-120



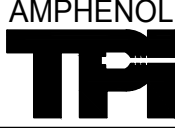

	Amphenol Technical Products International GZ					PART NAME: <b>RADLOK® Connector          Stamped Lug Verison</b>	
	第三角投影 THIRD ANGLE PROJECTION 	页面 SHEET 1 OF 1	幅面 SIZE A3	版次 REV. C	比例 SCALE 		DWG NO: See Specification
签名 SIGNATURE 制图 DRAWN 审核 CHECKED 批准 APPROVAL	日期 DATE KW sam JG	02/23/18 02/23/18 02/23/18	UNLESS OTHERWISE SPECIFIED 1) All dimensions are in metric(mm). 2) Tolerances are as follows: 0 PL DEC $\pm 1.00$ 1 PL DEC $\pm 0.50$ 2 PL DEC $\pm 0.20$		Angles $\pm 1^\circ$	DWG NO: See Specification CUST PART #: N/A	CUST REV. C

THIS DRAWING IS SUPPLIED FOR INFORMATION ONLY. DESIGN FEATURES, SPECIFICATIONS AND PERFORMANCE DATA SHOWN HEREON ARE THE PROPERTY OF THE AMPHENOL CORPORATION. NO RIGHTS OF REPRODUCTION ARE IMPLIED. ALL DIMENSIONS ARE SUBJECT TO NORMAL MANUFACTURING VARIATIONS.

CUSTOMER DRAWING

REVISIONS					
REV	ECN No.	DESCRIPTION	DATE	BY	APPR
A	--	INITIAL RELEASE	04/03/15	VF	EC
B	160702	Add Connector Type and Change Dim for RL00802 and RL01002, RL01202	07/25/16	JG	TS
C	--	Remove the RL14.0 specification.	02/23/18	KW	JG

Table $\triangle$ <sub>B</sub>				
R4 Size	Description	Part Number		
		Color:Orange	Color:Black	Color:Red
3.6mm	RL00362-10	AC-HA002440	AC-HA007994	AC-HA007995
5.7mm	RL00572-16	AC-HA007996	AC-HA003619	AC-HA003618
	RL00572-25	AC-HA002441	AC-HA003527	AC-HA003526
8.0mm	RL00802-35	AC-HA002442	AC-HA007556	AC-HA007557
	RL00802-50	AC-HA002443	AC-HA007554	AC-HA007555
10.0mm	RL01002-70	AC-HA006613	AC-HA008001	AC-HA008002
	RL01002-95	AC-HA002444	AC-HA008003	AC-HA008004
12.0mm	RL01202-120	AC-HA002445	AC-HA008005	AC-HA008006

		Amphenol Technical Products International GZ				PART NAME: RADLOK® Connector Stamped Lug Verison	
		第三角投影 THIRD ANGLE PROJECTION 	页面 SHEET 2 OF 2	幅面 SIZE A3	版次 REV. C	比例 SCALE	DWG NO: See Table
签名 SIGNATURE 制图 DRAWN: KW 审核 CHECKED: sam 批准 APPROVAL: JG		日期 DATE 02/23/18 02/23/18 02/23/18		UNLESS OTHERWISE SPECIFIED 1) All dimensions are in metric(mm). 2) Tolerances are as follows: 0 PL DEC ±1.00 1 PL DEC ±0.50 2 PL DEC ±0.20		DWG NO: See Table CUST PART #: N/A	
		Angles ±1°		CUST REV. C			