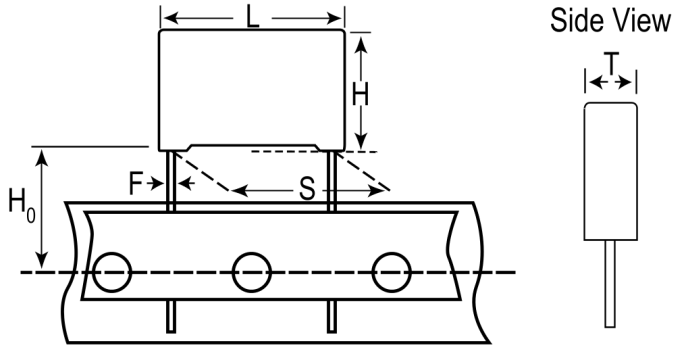


## R60DI4220DQ30K

Aliases (60DI4220DQ30K)

R60, Film, Metallized Polyester, Automotive Grade, 2.2 uF, 10%, 63 VDC, 85°C, Lead Spacing = 15mm



Click [here](#) for the 3D model.

### Dimensions

L	18mm +0.3mm
H	12mm +0.1mm
T	6mm +0.2mm
S	15mm +/-0.4mm
H <sub>0</sub>	18.5mm +/-0.5mm
F	0.8mm +/-0.05mm

### Packaging Specifications

Packaging	Ammo, 360x340x59mm, Box
Packaging Quantity	680

### General Information

Series	R60
Dielectric	Metallized Polyester
Style	Radial
Features	Automotive Grade, DC Multipurpose Applications
RoHS	Yes
Lead	Wire Leads
Qualifications	AEC-Q200
AEC-Q200	Yes
Component Weight	1.75 g
Miscellaneous	Upper Operating Temperature Of 125C Is Allowed For A Maximum Operating Time Of 1,000 Hours. Above 85C, DC And AC Voltage Derating Is 1.25%/C.

### Specifications

Capacitance	2.2 uF
Capacitance Tolerance	10%
Voltage AC	40 VAC
Voltage DC	63 VDC
Temperature Range	-55/+105°C
Rated Temperature	85°C
Dissipation Factor	1% 1kHz
Insulation Resistance	568.2 MOhms
Max dV/dt	2.5 V/us
Inductance	10 nH