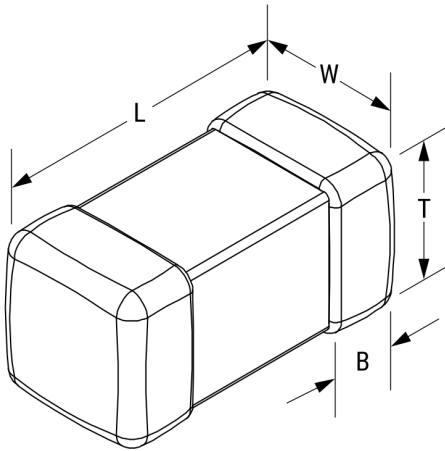


L1007C100MDWST

Aliases (L1007C100MDWST)

Not for New Design

KEMET, L-DWS, Power, 10 uH, 20%



Click [here](#) for the 3D model.

Dimensions	
Chip Size	1007
L	2.5mm +/-0.2mm
W	1.8mm +/-0.2mm
T	1.8mm +/-0.2mm
LL	0.5mm +/-0.2mm
B	0.5mm +/-0.2mm

Packaging Specifications	
Packaging	T&R
Packaging Quantity	2000

General Information	
Series	L-DWS
Style	SMD Chip
Description	Surface Mount Inductor
Features	Standard Type
RoHS	Yes
Notes	Last Order Date June 30, 2023.

Specifications	
Inductance	10 uH (2.52 MHz)
Inductance Tolerance	20%
Temperature Range	-40/+105°C
Current	250 mAmps (Isat, 30% Drop In Inductance), 820 mAmps (Irms, 40C Rise By Self Heating)
DC Resistance	0.25 Ohms
Self-Resonant Frequency	30 MHz

Statements of suitability for certain applications are based on our knowledge of typical operating conditions for such applications, but are not intended to constitute - and we specifically disclaim - any warranty concerning suitability for a specific customer application or use. This information is intended for use only by customers who have the requisite experience and capability to determine the correct products for their application. Any technical advice inferred from this information or otherwise provided by us with reference to the use of our products is given gratis, and we assume no obligation or liability for the advice given or results obtained.