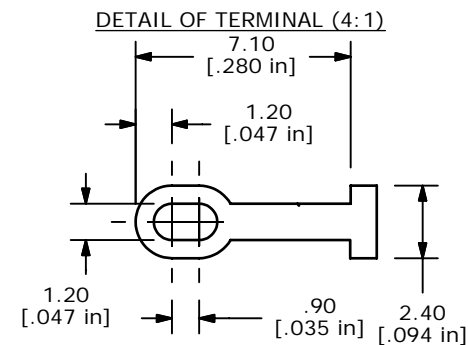
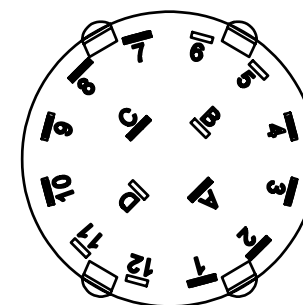
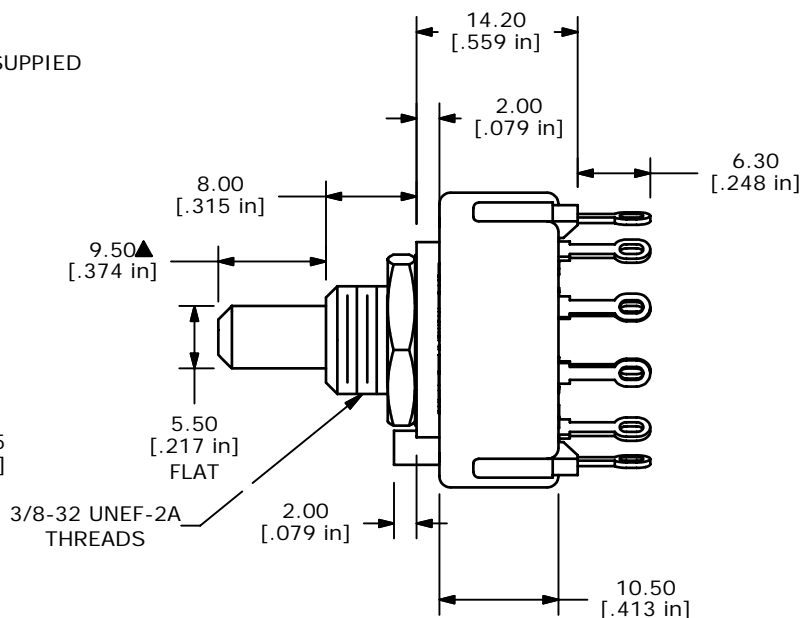
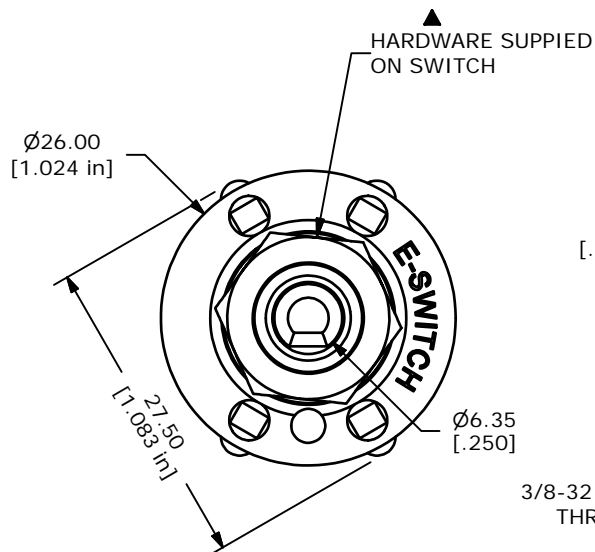
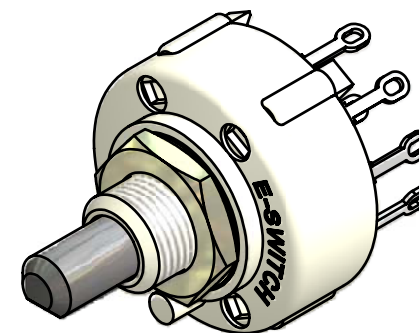


CONTACT CONFIGURATION
TIMING (BBM) NON-SHORTING



- NOTE:
1. ALL DIMENSIONS IN MM[INCH].
 2. GENERAL TOLERANCE: X.X=±0.4
X.XX=±0.25
 3. TERM. NOS. FOR REFERENCE ONLY.
 4. CONTACT MATERIAL: SILVER
 5. CONTACT RATING: 0.3A, 125VAC
 6. OPERATING FORCE: 800± 300 cm
 7. OPERATING TEMP: -30°C TO 85°C
 - ▲ 8. CIRCUIT DP: 4 POSITION 30° INDEX.
 9. DIELECTRIC STRENGTH: 500VAC - 1 MIN.
 - ▲ 10. HARDWARE SUPPLIED ON SWITCH:
LOCKWASHER, HEXNUT, STOP RING
 11. ▲ DENOTES CRITICAL PARAMETER.

E-SWITCH®

A	16284	RELEASED FOR PRODUCTION	8/7/06	BO
REV	PCR NO	DESCRIPTION	DATE	BY

TITLE KC24A9.501NLS				
SCALE	DATE	DR	DWG	REV
1.5:1	8/7/2006	BO	G510905	A

THE INFORMATION CONTAINED IN THIS DOCUMENT IS PROPRIETARY TO E-SWITCH AND IS NOT TO BE COPIED OR TRANSFERRED