

6

5

4

3

2

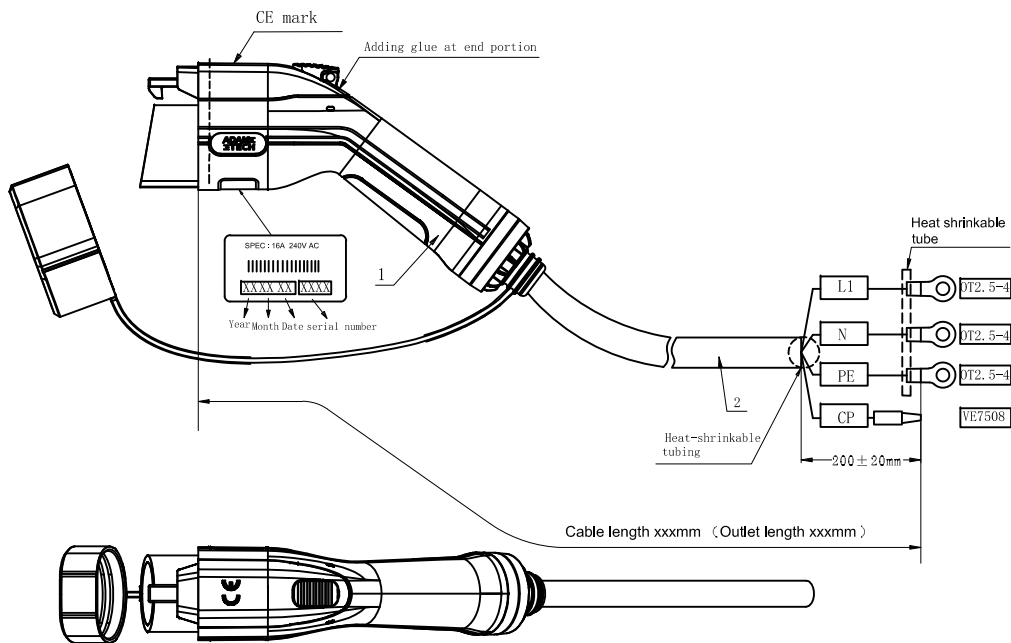
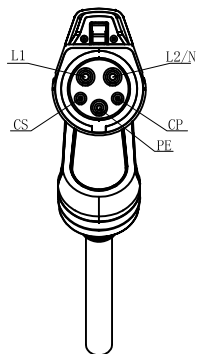
1

APPROVED: \_\_\_\_\_

DATE: \_\_\_\_\_ TITLE: \_\_\_\_\_

Rev	AWO #	Description	Date	Appr
-		RELEASED	3/11/20	

Pin Layout Chart



Method of connecting wire

(5) CS  
(4) CP  
(3) PE  
(2) L2/N  
(1) L1

Function	Color	16A 240V AC
L1	Brown	2.5mm <sup>2</sup>
N	Blue	2.5mm <sup>2</sup>
PE	Yellow-Green	2.5mm <sup>2</sup>
CP	Black	0.5mm <sup>2</sup>
CS	—	—

Remark:  
R7=330 Ω R6=160 Ω

SPECIFICATIONS:

Material:  
 Insulator: PC, Thermoplastic, rated UL 94V-0  
 Insulator color: Black  
 Contacts: Copper Alloy, Silver plated surface  
 Electrical:  
 Current rating: 16A  
 Voltage rating: 240 VAC  
 Contact Impedance: 0.5 mohms max  
 Insulation resistance: 1,000 Mohms min, DC 500V  
 Dielectric withstanding voltage: 2,000V  
 Mechanical:  
 Mechanical life: unloaded plugged: >10,000  
 Insertion and Extraction Force: <80N  
 Temperature Rating:  
 Operating temperature: -30°C to +50°C  
 Environmental:  
 Waterproof grade: IP54  
 Lead free, RoHS compliant



Charging plug: according to SAE J1772-2017 standard  
 Charging cable: 3x2.5mm<sup>2</sup>+1x0.5mm<sup>2</sup> (outer leather material TPE)

UNLESS OTHERWISE SPECIFIED ALL DIMENSIONS ARE MILLIMETERS TOLERANCES: EXCEPT AS NOTED		<b>ADAM TECH</b> INTERCONNECTS		909 Rahway Avenue, Union, NJ 07083 Phone: 908-687-5000 Fax: 908-687-5710	
APPROVALS		DATE		TITLE	
DRAWN	OW	3/11/20		CABLE ASSEMBLY EV CHARGER TYPE 1 FEMALE PLUG 16A 1PHASE 2.5MM <sup>2</sup> TUV	
CHECKED	AC	3/11/20		SIZE X	PART NO. CA #EV01AT-003-XM
APPROVED		REF:	-	SCALE:	NTS
				SHEET 1 OF 1	

6

5

4

3

2

1