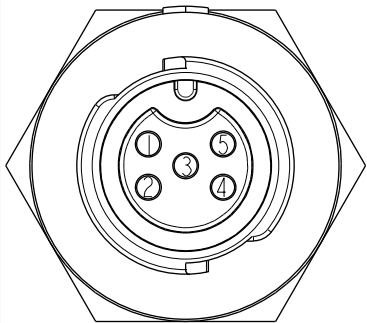
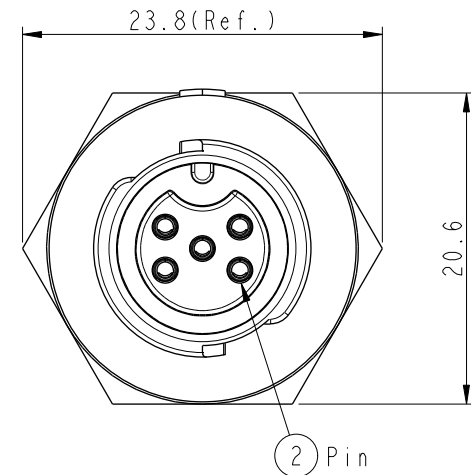
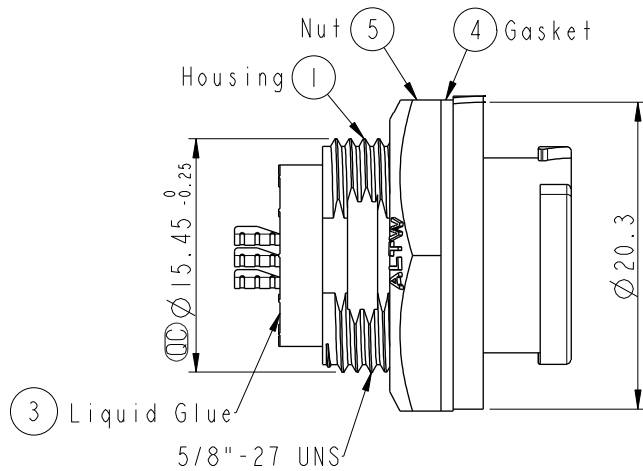
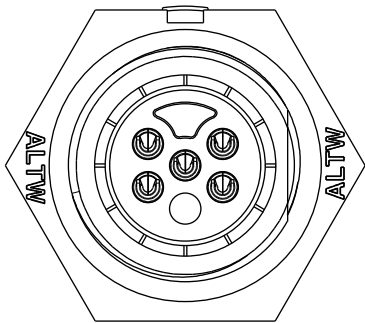
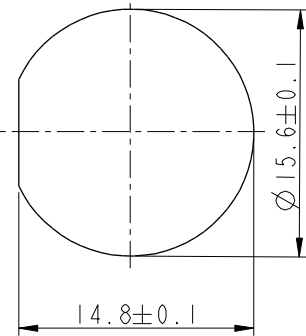


ALTW  
CONFIDENTIAL  
2019-03-19  
R&D DEPT.

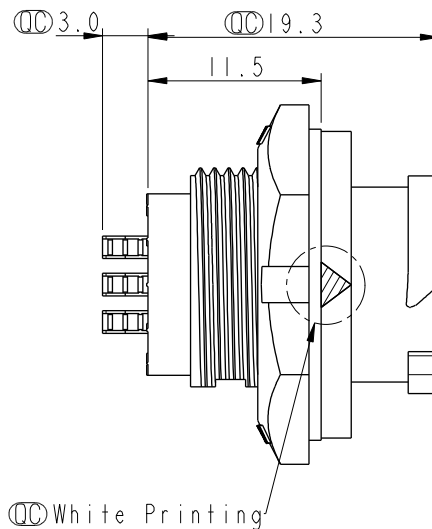
REV.	ECN NO.	DATE	SIGN	DESCRIPTION
B	C190411	2019/03/19	Vicky	Change Note



Pin Assignments  
Front View

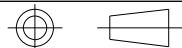


Recommended Panel Cut-out



- Note:
- \*  $\text{CC}$  Important Dimension To Check.
  - \* Waterproof Rate: IP68, Unmated.  
In 1 meter water within 24 hours
  - \* Housing: Thermoplastic, Black.
  - \* Pin: Copper Alloy, Gold Plated.
  - \* Nut: Thermoplastic, Black.
  - \* Gasket: Rubber, Gray.
  - \* Panel Thickness Max: 4.5mm
  - \* Gasket and Nut are packed separately in PE bags.

UNIT:mm



TOLERANCE  
.X ±0.25

TITLE  
X Lok B-Size  
Receptacle M Conn F 5 Pin

SCALE 2:1 SIZE A4 SHEET 1 OF 1  
REV. B WC-REV. A.4  $\text{CC}$ : Inspection item

Amphenol LTW  
安費諾亮泰企業股份有限公司

ITEM NO BD-05RMFS-QC8001	DRAWN BY Vicky	DATE 2019-03-19
DWG NO BD-05RMFS-QC8001	CHECKED BY Rita	DATE 2019-03-19
CUSTOMER ALTW	APPROVED BY Max	DATE 2019-03-19