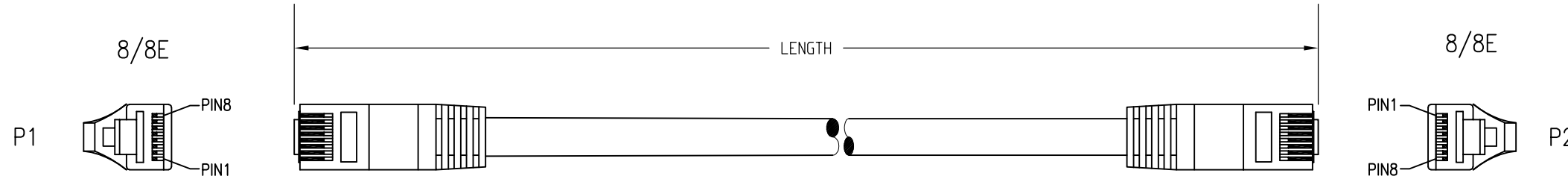


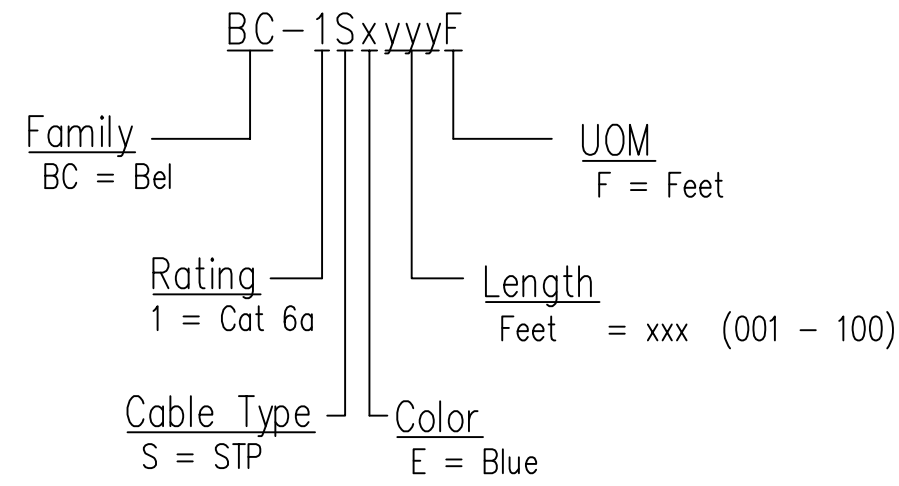
DATE	REV	ECN	APP'D. BY
05/07/21	A0	RELEASED	JME
05/14/21	A1	11751	BTS
-	-	-	-



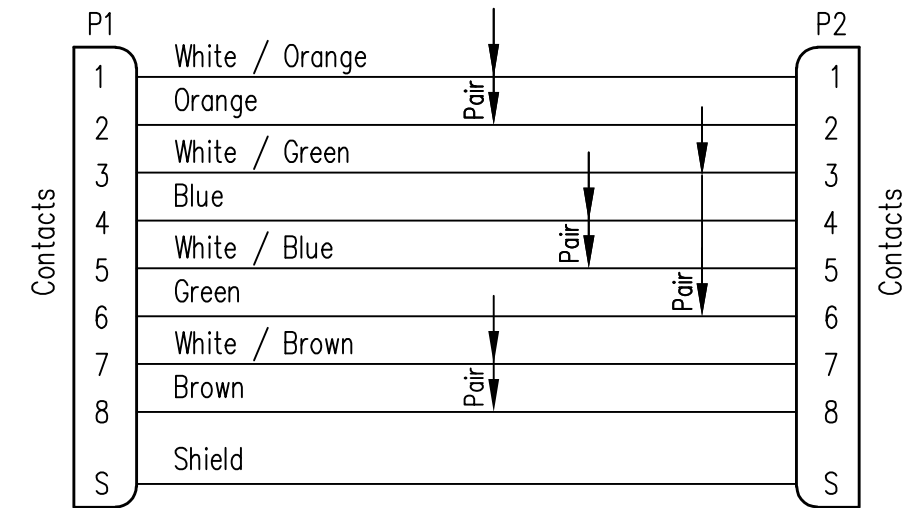
Notes:

- 1) Each cable assembly to be individually bagged.
- 2) 50μ" Gold plating on contacts
- 3) Cable Construction:
 - 24AWG stranded STP CAT 6A cable
 - 6.8 MM outer diameter
 - Blue jacket color
- 4) Overmolded Strain Relief
Color to match jacket color

P/N Key:

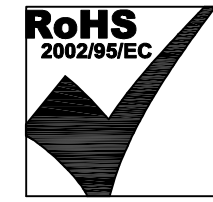


Wiring Map: 568B Standard



Part Numbers

P/N	Color	Length
BC-1SE001F	Blue	1'
BC-1SE003F	Blue	3'
BC-1SE005F	Blue	5'
BC-1SE007F	Blue	7'
BC-6SE010F	Blue	10'
BC-1SE014F	Blue	14'
BC-1SE025F	Blue	25'



THIRD ANGLE PROJECTION

DO NOT SCALE DRAWING
DRAWING IS SUBJECT TO CHANGE WITHOUT NOTICE

DIMENSIONS: INCHES [METRIC]

UNLESS OTHERWISE SPECIFIED
TOLERANCES ARE ±.005 [0.13]
ANGLES ARE ± 1°

SHEET NO. 1 OF 1

206 Van Vorst Street
Jersey City, NJ 07302
+1 201 432 0463
<http://www.belfuse.com>

TITLE: **Bel Patchcord Assembly, Cat 6A S/STP**

DRN BY: BTS	DATE: 05/07/21
APPD BY: JME	DATE: 05/07/21
DWG NO. CT999256	REV. A1

THIS DRAWING AND THE SUBJECT MATTER SHOWN THEREON ARE CONFIDENTIAL AND THE PROPRIETARY PROPERTY OF BEL FUSE, INC. AND SHALL NOT BE REPRODUCED, COPIED, OR USED IN ANY MANNER WITHOUT PRIOR WRITTEN CONSENT OF BEL FUSE, INC.