

LAYOUT SHOWN AS EXAMPLE

Keying Shown as example

**CHARACTERISTICS**

- Standard : Based on MIL-DTL-38999 Series III
- Shell Material : Aluminium
- Shell Plating : Nickel
- Insulator : Thermoplastic
- Contacts : Copper Alloy
- Seals & Grommet : Silicon Elastomer
- Contact Plating : Gold over copper Alloy 0.8µm minimum
- Durability : 500 Mating cycles
- Delivered without Souriau contacts
- Temperature Range : -65°C to +200°C
- Salt Spray : 48 hours
- Mass : 62.2 g ± 10%

Connector dimension	
Dim	Nominal
P	3.91±0.2
PP	6.15±0.2
R1	34.93
R2	31.75
S	42.9±0.3
V	20.07+0/-1.25
W	2.1/3.2
Z	31.5 Max
VV THREAD	M34x1-6g

SOURIAU shall not be liable for any non-conformity or damage due to a use of the Products which does not comply with the Specifications issued by either of the Parties or by a third party (professional recommendation, technical notice.)

Country	Jurisdiction & Control List
FR	Not Listed

**PN: 8D023F21SCL**

A	22-09-2016	First Release	
ISS	DATE	Latest modification - by	MOD N°
Designed By:		Date:	<b>CUSTOMER DRAWING</b>
<b>TITLE</b>	<b>Aluminium Receptacle 8D series</b>		
SCALE		General linear Tolerances: ±--	NPRDS / PROJECT <b>859</b>
NA	<b>SOURIAU</b> <a href="http://WWW.SOURIAU.COM">WWW.SOURIAU.COM</a>		This document is the property of SOURIAU it must not be reproduced or communicated without permission
FORMAT	<b>A3</b>		SOURIAU DRG N° <b>8D023F21SCL-C</b> SHEET <b>1/2</b>

BASIC SERIES:	8D	0	-	23	F	21	S	C	L	Delivered W/O Contacts
SHELL TYPE	: Square Flange Receptacle									ORIENTATION : C
CONTACT TYPE	: Standard Crimp Contact									CONTACT TYPE : SOCKET(500 Matings)
SHELL SIZE	: 23									CONTACT LAYOUT : 23-21
PLATING	: F = Nickel									

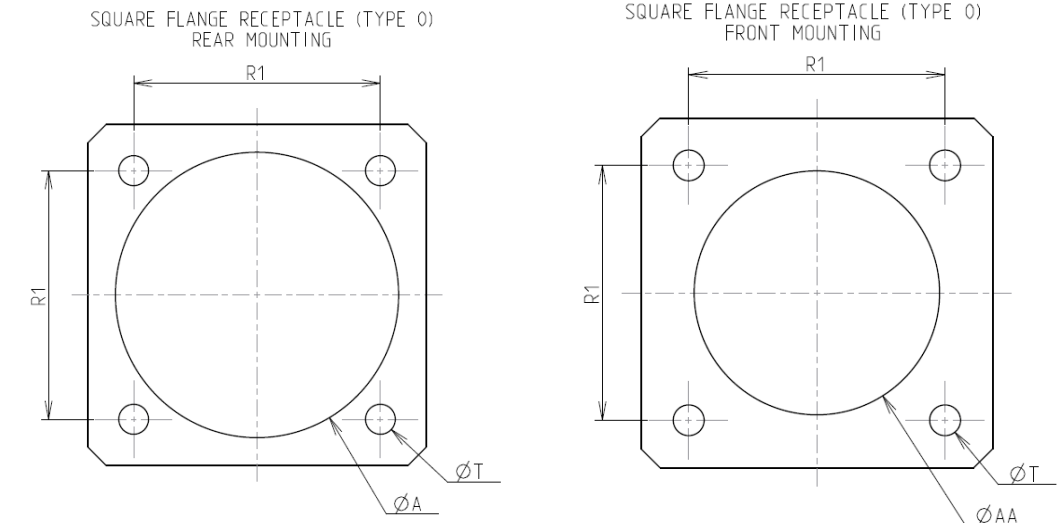
Contact Layout



Contacts (Insert arrangement 23-21)					
Contact position ID	Location		Contact position ID	Location	
	X-axis (mm)	Y-axis (mm)		X-axis (mm)	Y-axis (mm)
A	+128 (3.25)	+385 (9.78)	M	-289 (7.34)	+285 (7.24)
B	+289 (7.34)	+285 (7.24)	N	-128 (3.25)	+385 (9.78)
C	+386 (9.80)	+123 (3.12)	P	+000 (0.00)	+245 (6.22)
D	+400 (10.16)	-.065 (1.65)	R	+160 (4.06)	+146 (3.71)
E	+328 (8.33)	-.239 (6.07)	S	+214 (5.44)	-.035 (0.89)
F	+183 (4.65)	-.362 (9.19)	T	+094 (2.39)	-.194 (4.93)
G	+000 (0.00)	-.406 (10.31)	U	-.094 (2.39)	-.194 (4.93)
H	-.183 (4.65)	-.362 (9.19)	V	-.214 (5.44)	-.035 (0.89)
J	-.328 (8.33)	-.239 (6.07)	W	-.160 (4.06)	+146 (3.71)
K	-.400 (10.16)	-.065 (1.65)	X	+000 (0.00)	+000 (0.00)
L	-.386 (9.80)	+123 (3.12)	---	---	---

Shell size	Arrangement no.	Number of contacts	Size contacts	Service rating	Contact location	Supersedes
23	-21	21	16	II	All	MS20056-21

Panel Cutout



Dim	Nominal
ØA	39.29 min
ØAA	34.93 min
R1	34.93
ØT	3.91 ±0.13

SOURIAU shall not be liable for any non-conformity or damage due to a use of the Products which does not comply with the Specifications issued by either of the Parties or by a third party (professional recommendation, technical notice.)

Country	Jurisdiction & Control List
FR	Not Listed

PN: 8D023F21SCL

A	22-09-2016	First Release	
ISS	DATE	Latest modification - by	MOD N°
Designed By:		Date:	<b>CUSTOMER DRAWING</b>
<b>TITLE</b>	Aluminium Receptacle 8D series		
SCALE		General linear Tolerances: ±--	NPRDS / PROJECT <b>859</b>
<b>SOURIAU</b>	<b>WWW.SOURIAU.COM</b>		This document is the property of SOURIAU it must not be reproduced or communicated without permission
FORMAT	<b>SOURIAU DRG N° 8D023F21SCL-C</b>		SHEET 2/2