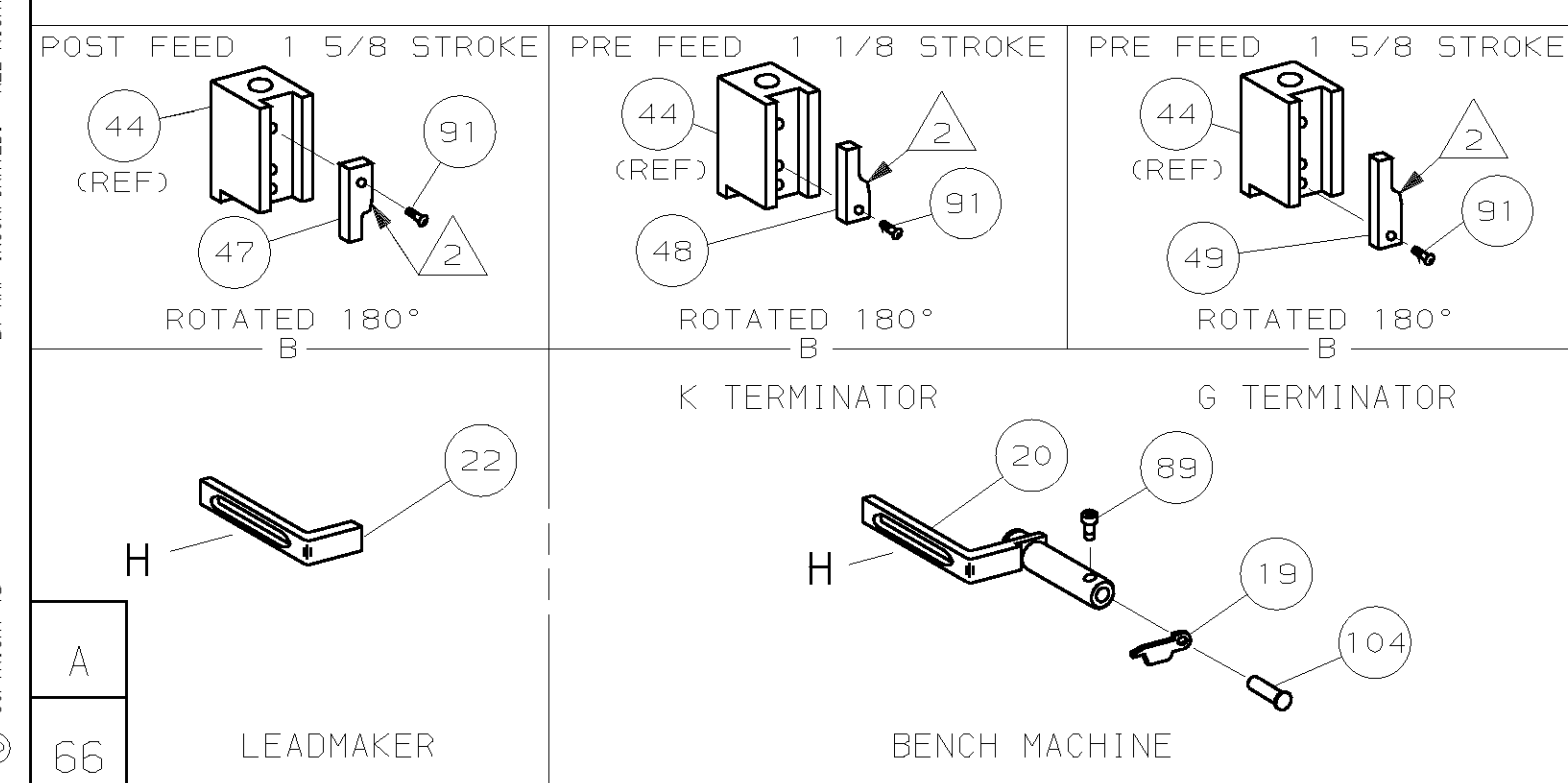
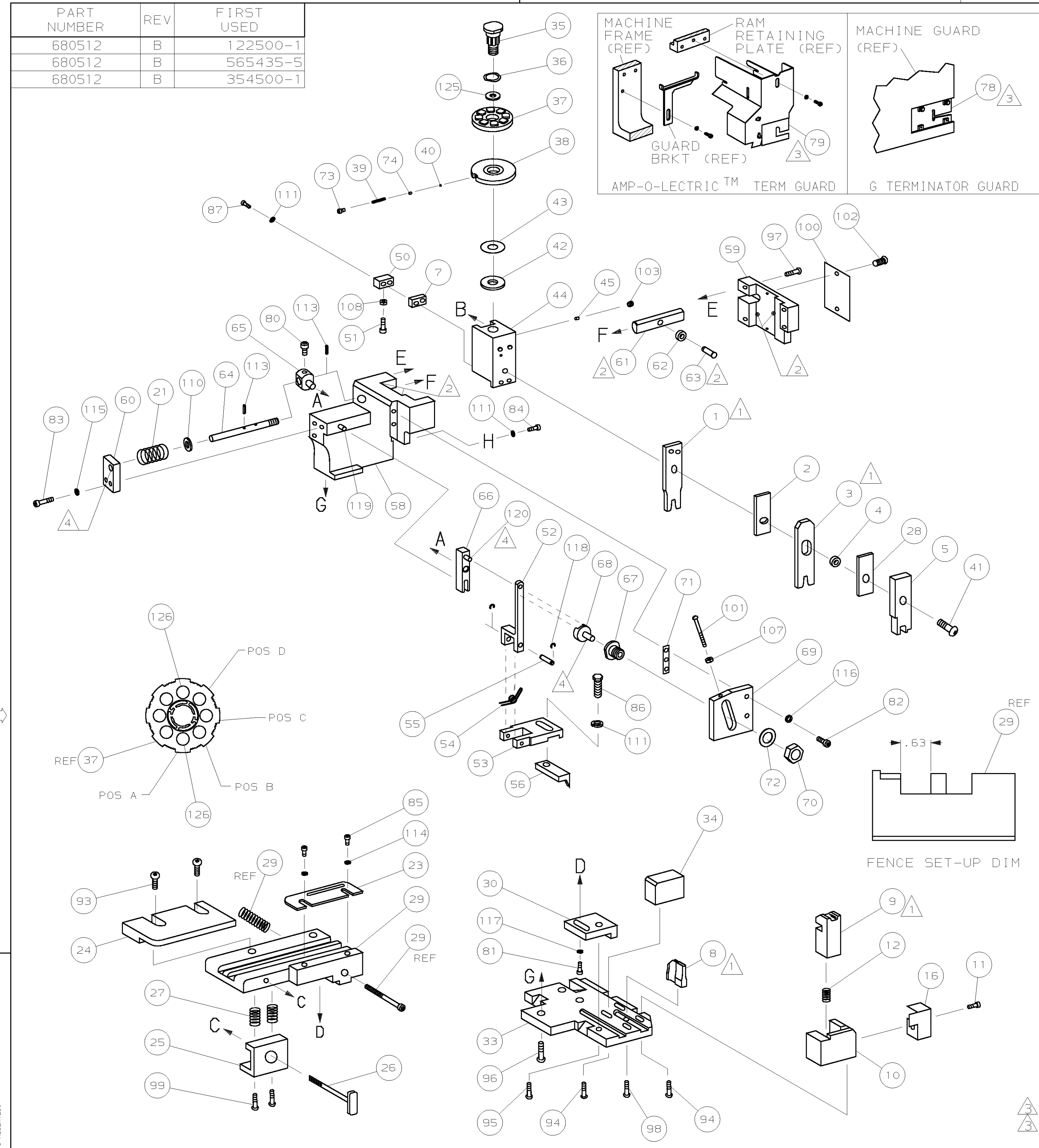


PART NUMBER	REV	FIRST USED
680512	B	122500-1
680512	B	565435-5
680512	B	354500-1



- 1 RECOMMENDED SPARE PARTS.
- 2 GREASE LIGHTLY.
- 3 GUARD MUST BE IN PLACE WHEN OPERATING APPLICATOR IN A BENCH MACHINE.
- 4 LUBRICATE DAILY USING NO. 20 MACHINE OIL.
- 5. ITEMS WITH QTY OF REF SPECIFIED (EXCEPT ITEMS 78 AND 79) ARE USED ON ITEM 46.

TERMINAL NAME: RECEPTACLE		286625		CRIMPING DATA		
PAD LTR	CRIMP HEIGHT	WIRE SIZE				
A	.077 ±.002 [1.96 ±0.05mm]	12				
B	NOT	USED				
C	NOT	USED				
D	NOT	USED				
CRIMP	SIZE	TYPE	RANGE			
WIRE	.140 [3.56mm]	F	12			
INSUL	.180 [4.57mm]	F	Ø.181-.189			

QTY	REF	REF	REF	REF	REF	DESCRIPTION	ITEM NO
1	1	1	1	1	1	129	129
1	1	1	1	1	1	128	128
2	2	2	2	2	2	127	127
1	1	1	1	1	1	8-354778-5	PIN, WIRE DISC (.2920)A 126
1	1	1	1	1	1	986950-1	WASHER, FLAT PRECISION 125
1	1	1	1	1	1	217238-1	GENERAL INSTRUCTION PACKAGE 124
1	1	1	1	1	1	4088040	SF APPL INST 408-8040 123
							122
							121
REF	REF	REF	REF	REF	REF	1-21030-1	PIN, DOWEL (Ø.187x.50) LEVER 120
REF	REF	REF	REF	REF	REF	1-21030-6	PIN, DOWEL (Ø.187x1.25) HOUSING 119
REF	REF	REF	REF	REF	REF	21045-3	RING, RET "C" (Ø.187) FD FING PIN 118
1	1	1	1	1	1	21024-5	WASHER, LOCK (#10) ADJ BLK 117
REF	REF	REF	REF	REF	REF	21024-5	WASHER, LOCK (#10) ADJ PLATE 116
REF	REF	REF	REF	REF	REF	21024-5	WASHER, LOCK (#10) FEED GDE ROD 115
2	2	2	2	2	2	21024-2	WASHER, LOCK (#4) FRONT STP GUIDE 114
REF	REF	REF	REF	REF	REF	5-21028-1	PIN, SLT SPR (Ø.125x.50) ADJ ROD 113
							112
4	4	4	4	4	4	21024-4	WASHER, LOCK (#8) STRIPPER 111
REF	REF	REF	REF	REF	REF	21899-4	WASHER, FLAT (Ø5/16) SCREW ADJ 110
							109
1	1	1	1	1	1	21018-5	NUT, HEX (NO. 6) HOLDDOWN 108
REF	REF	REF	REF	REF	REF	21018-5	NUT, HEX (6-32) FEED ADJ 107
							106
							105
1	1	1	1	1	1	992031-1	PIN, CLEVIS 104
1	1	1	1	1	1	21009-2	SCR, SKT 5ET (1/4-20x.25 LW) RAM 103
2	2	2	2	2	2	21017-2	SCR, DRIVE (#2x.19) ID PLATE 102
REF	REF	REF	REF	REF	REF	6-23715-5	SCR, PAN HD (6-32x1.50) FEED ADJ 101
1	1	1	1	1	1	461264-1	PLATE, IDENTIFICATION 100
2	2	2	2	2	2	3-21002-0	SCR, BHC (10-32x.88) DRAG 99
1	1	1	1	1	1	22733-8	SCR, BHC (8-32x.38 LW) ANVIL 98
REF	REF	REF	REF	REF	REF	2-21002-9	SCR, BHC (10-32x.75) CAP 97
REF	REF	REF	REF	REF	REF	2-22733-8	SCR, BHC (1/4-20x.62) HOUSING 96
REF	REF	REF	REF	REF	REF	2-21002-7	SCR, BHC (10-32x.50) 56 ADJ BLOCK 95
4	4	4	4	4	4	2-21002-2	SCR, BHC (8-32x.50) TERM H DWN 94
2	2	2	2	2	2	2-21002-3	SCR, BHC (3-32x.62) R STP GDE 93
							92
1	1	1	1	1	1	1-21002-7	SCR, BHC (6-32x.38) CAM 91
							90
1	1	1	1	1	1	7-21000-9	SCR, SHC (4-40x.19) STRIPPER 89
							88
2	2	2	2	2	2	2-21000-8	SCR, SHC (8-32x.62) DEP-HOLD 87
1	1	1	1	1	1	2-22603-0	SCR, HEX HD (8-32x.31) FEED FINGER 86
2	2	2	2	2	2	1-21000-3	SCR, SHC (4-40x.25) F ST GUIDE 85
1	1	1	1	1	1	2-21000-7	SCR, SHC (8-32x.50) STRIPPER 84
REF	REF	REF	REF	REF	REF	3-21000-7	SCR, SHC (10-32x.75) FEED ROD GD 83
REF	REF	REF	REF	REF	REF	3-21000-6	SCR, SHC (10-32x.62) FD ADJ BLK 82
1	1	1	1	1	1	3-21000-4	SCR, SHC (10-32x.38) 56 ADJ BL 81
REF	REF	REF	REF	REF	REF	3-21000-4	SCR, SHC (10-32x.38) PIVOT BLK 80
-	REF	-	-	-	-	455749-1	GUARD, WINDOW 79
REF	-	-	-	-	-	679532-1	INSERT, GUARD 78
							77
							76
							75
1	1	1	1	1	1	690603-1	SPRING, ASSIST 74
1	1	1	1	1	1	23030-1	SCR, SHC (6-32x.25 SL) INS DISC 73
REF	REF	REF	REF	REF	REF	458109-1	WASHER, SPECIAL 72
REF	REF	REF	REF	REF	REF	690517-1	SPACER 71
-3	-2	-1	U/M	DWG SIZE	PART NO	DESCRIPTION	ITEM NO

QTY	REF	REF	REF	REF	REF	DESCRIPTION	ITEM NO
-1						LEADMAKER	
-2						BENCH MODEL K	MECH PRE FEED
-3						BENCH MODEL G	MECH PRE FEED
REF	REF	REF	REF	REF	REF	22594-8	NUT, HEX (1/2-20) 70
REF	REF	REF	REF	REF	REF	240628-1	PLATE, ADJUSTMENT 69
REF	REF	REF	REF	REF	REF	240626-1	SHAFT, PIVOT 68
REF	REF	REF	REF	REF	REF	240633-1	BUSHING 67
REF	REF	REF	REF	REF	REF	455680-1	LEVER, INTERMEDIATE 66
REF	REF	REF	REF	REF	REF	240629-1	BLOCK, PIVOT 65
REF	REF	REF	REF	REF	REF	240632-2	SCREW, ADJ FEED ROD 64
REF	REF	REF	REF	REF	REF	240659-3	PIN, CAM ROLLER 63
REF	REF	REF	REF	REF	REF	240658-1	ROLLER, CAM 62
REF	REF	REF	REF	REF	REF	454398-2	ROD, FEED 61
REF	REF	REF	REF	REF	REF	454178-1	GUIDE, FEED ROD 60
REF	REF	REF	REF	REF	REF	454220-1	CAP, RAM 59
REF	REF	REF	REF	REF	REF	454485-1	HOUSING 58
							57
1	1	1	1	1	1	1-694433-6	PAWL, FEED 56
REF	REF	REF	REF	REF	REF	240624-1	PIN, FEED FINGER 55
REF	REF	REF	REF	REF	REF	691499-1	SPRING, FEED FINGER 54
REF	REF	REF	REF	REF	REF	690541-1	HOLDER, FEED FINGER 53
REF	REF	REF	REF	REF	REF	455679-2	LEVER, TERMINAL FEED ARM 52
1	1	1	1	1	1	811242-2	BUMPER, HOLDDOWN 51
1	1	1	1	1	1	690753-1	SPACER, TONKER 50
1	-	-	-	-	-	690602-6	CAM, PRE-FEED 1 5/8 ST 49
-	1	-	-	-	-	690602-5	CAM, PRE-FEED 1 1/8 ST 48
-	-	-	-	-	-	690501-4	CAM, POST-FEED 1 5/8 ST 47
1	1	1	1	1	1	459456-2	APPLICATOR, BASIC (SUBASSY) 46
1	1	1	1	1	1	690191-1	PLUG, NYLON 45
1	1	1	1	1	1	455673-1	RAM 44
1	1	1	1	1	1	690125-1	WASHER, LAMINATED 43
1	1	1	1	1	1	690124-1	WASHER, RAM 42
1	1	1	1	1	1	7-21002-9	BOLT, CRIMPER (5/16x1.00) 41
1	1	1	1	1	1	23241-6	BALL, STEEL 40
1	1	1	1	1	1	690170-1	SPRING, COMPRESSION 39
1	1	1	1	1	1	690142-1	DISC, INSULATION 38
1	1	1	1	1	1	354777-1	WIRE DISC, PLASTIC 37
1	1	1	1	1	1	22480-5	WASHER, SPRING 36
1	1	1	1	1	1	690212-1	POST, RAM 35
1	1	1	1	1	1	690786-1	SUPPORT, TERMINAL 34
REF	REF	REF	REF	REF	REF	455675-1	PLATE, BASE 33
							32
							31
REF	REF	REF	REF	REF	REF	455689-1	BLOCK, STRIP GUIDE ADJ 30
1	1	1	1	1	1	318042-1	STRIP GUIDE PL ASSY 29
1	1	1	1	1	1	1-455888-9	SPACER, FRONT SHEAR DEP 28
2	2	2	2	2	2	1-22284-0	SPRING, DRAG 27
1	1	1	1	1	1	690546-1	LEVER, DRAG RELEASE 26
1	1	1	1	1	1	240792-1	DRAG, TERMINAL 25
1	1	1	1	1	1	6-690504-9	GUIDE, STRIP (REAR) 24
1	1	1	1	1	1	690438-1	GUIDE, STRIP (FRONT) 23
-	-	1	-	-	-	690472-2	STRIPPER 22
REF	REF	REF	REF	REF	REF	4-22284-9	SPRING, FEED RETURN 21
1	1	1	1	1	1	679218-1	STRIPPER WIRE STOP ASSY 20
1	1	1	1	1	1	458949-1	STRIPPER 19
							18
							17
1	1	1	1	1	1	318563-1	GUARD, CHIP, FRONT 16
							15
							14
							13
1	1	1	1	1	1	5-22280-0	SPRING, SHEAR 12
1	1	1	1	1	1	690461-2	STOP, SHEAR 11
1	1	1	1	1	1	1-690459-0	HOLDER, SHEAR (FRONT) 10
1	1	1	1	1	1	454276-5	SHEAR, FLOAT (FRONT) 9
1	1	1	1	1	1	662192-4	ANVIL 8
1	1	1	1	1	1	6-240641-9	SPACER, DEPRESSOR (REAR) 7
							6
1	1	1	1	1	1	1-455889-8	DEPRESSOR, SHEAR (FRONT) 5
1	1	1	1	1	1	238011-4	SPACER, BLOCK CRIMPER 4
1	1	1	1	1	1	1-1213077-0	CRIMPER, INSULATION 3
1	1	1	1	1	1	455888-1	SPACER, CRIMPER 2
1	1	1	1	1	1	456411-9	CRIMPER, WIRE 1
-3	-2	-1	U/M	DWG SIZE	PART NO	DESCRIPTION	ITEM NO