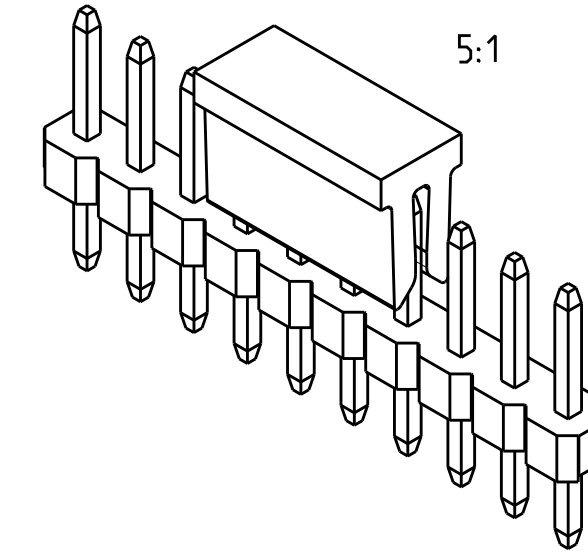
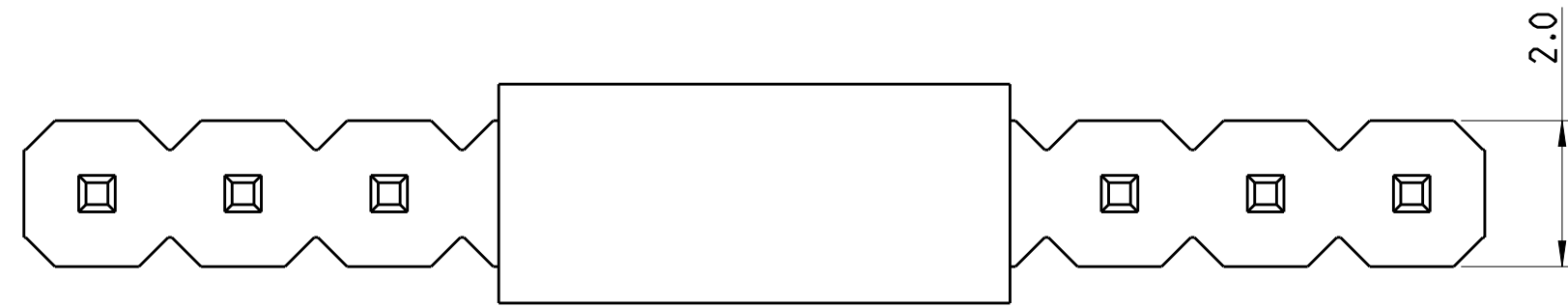
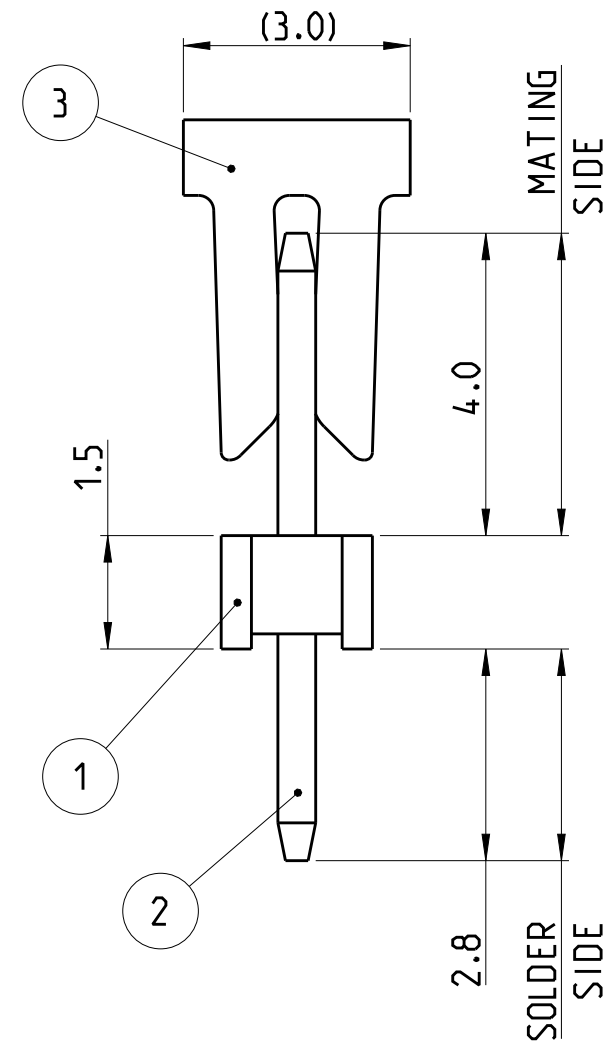
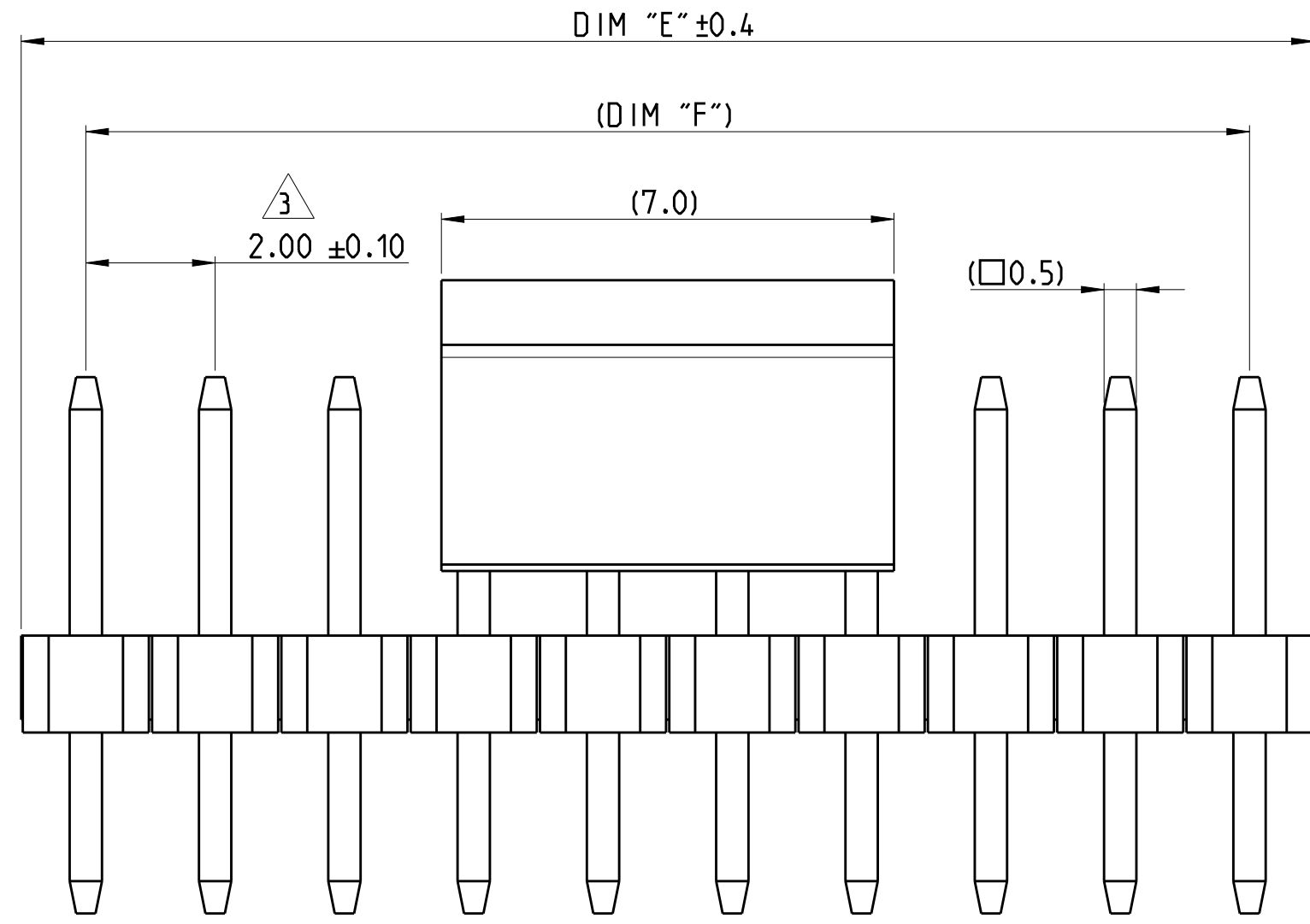


REVISIONS

P	LTR	DESCRIPTION	DATE	DWN	APVD
A		RELEASE TO PRODUCTION	26AUG2019	AY	PS
B		CHANGED P AND P CAP LENGTH FROM 6.5 TO 7.0	16DEC2019	AY	PS

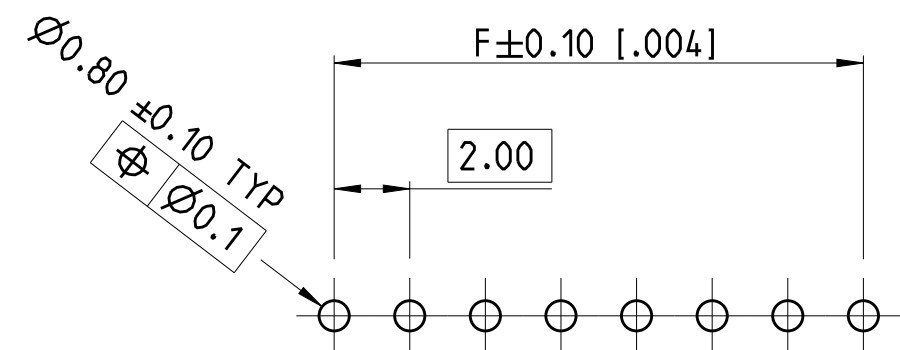
NOTES:

- MATERIAL
HOUSING & P&P CAP : HIGH TEMPERATURE THERMOPLASTIC, UL94-V0; COLOR- BLACK
CONTACT PIN : COPPER ALLOY
FINISH :
MATING SIDE: MIN. 0.38 μm GOLD OVER NICKEL UNDER PLATING.
SOLDER SIDE: MIN. 2.0 μm BRIGHT TIN OVER NICKEL UNDER PLATING.
- PACKAGING: TUBE (WITH PICK AND PLACE CAP).
- TOLERANCE NOT CUMULATIVE.
- CUTTING BURR MAX. 0.25 mm.

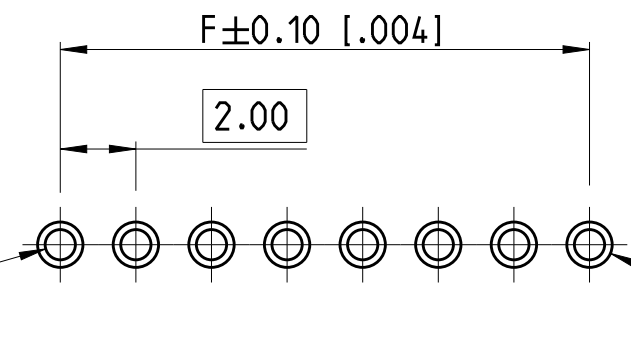


1-2355179-0 AS SHOWN

48.0	50.0	25	2-2355179-5
46.0	48.0	24	2-2355179-4
44.0	46.0	23	2-2355179-3
42.0	44.0	22	2-2355179-2
40.0	42.0	21	2-2355179-1
38.0	40.0	20	2-2355179-0
36.0	38.0	19	1-2355179-9
34.0	36.0	18	1-2355179-8
32.0	34.0	17	1-2355179-7
30.0	32.0	16	1-2355179-6
28.0	30.0	15	1-2355179-5
26.0	28.0	14	1-2355179-4
24.0	26.0	13	1-2355179-3
22.0	24.0	12	1-2355179-2
20.0	22.0	11	1-2355179-1
18.0	20.0	10	1-2355179-0
16.0	18.0	9	2355179-9
14.0	16.0	8	2355179-8
12.0	14.0	7	2355179-7
10.0	12.0	6	2355179-6
8.0	10.0	5	2355179-5
6.0	8.0	4	2355179-4
DIM "F"	DIM "E"	POS	TE PN



RECOMMENDED PCB HOLE PATTERN FOR THROUGH HOLE WAVE



RECOMMENDED PCB HOLE PATTERN FOR THROUGH HOLE REFLOW / PIN-IN-PASTE

PICK AND PLACE CAP	3
CONTACT PIN	2
HOUSING	1
DESCRIPTION	ITEM NO.

THIS DRAWING IS A CONTROLLED DOCUMENT.

DIMENSIONS:	TOLERANCES UNLESS OTHERWISE SPECIFIED:
mm	0 PLC ±
	1 PLC ±0.2
	2 PLC ±0.15
	3 PLC ±
	4 PLC ±
	ANGLES ±2°
	FINISH SEE NOTES

DWN	09 APR 2019
CHK	14 AUG 2019
APVD	16 AUG 2019
NAME	RAGHAVENDRA K
NAME	KARTHIK, JK
NAME	PRASHANTH
PRODUCT SPEC	108-64040
APPLICATION SPEC	114-32259
WEIGHT	-
CUSTOMER DRAWING	

STE TE Connectivity	
NAME	AMPMODU 2mm BREAKAWAY HEADER SINGLE ROW, VERTICAL, 0.38 Au, TUBE, PICK AND PLACE CAP
SIZE	A2
CAGE CODE	00779
DRAWING NO	C-2355179
RESTRICTED TO	-
SCALE	10:1
SHEET	1 OF 1
REV	B