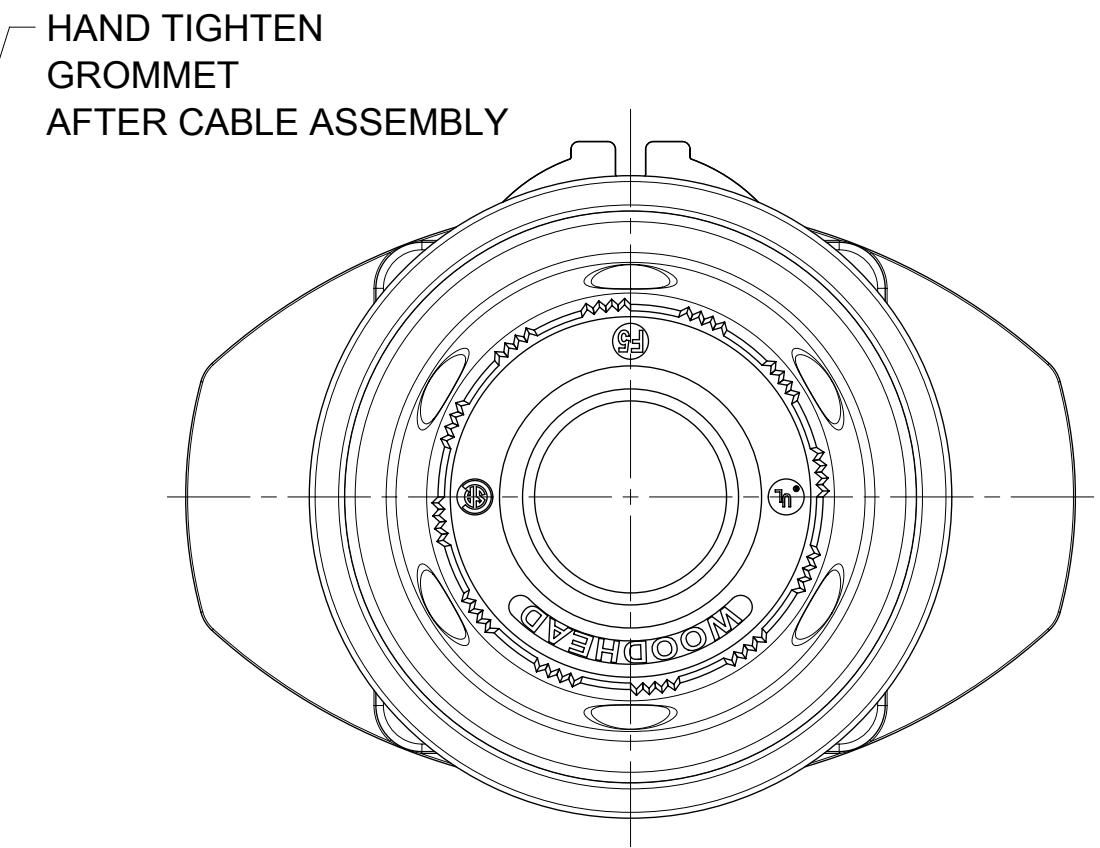
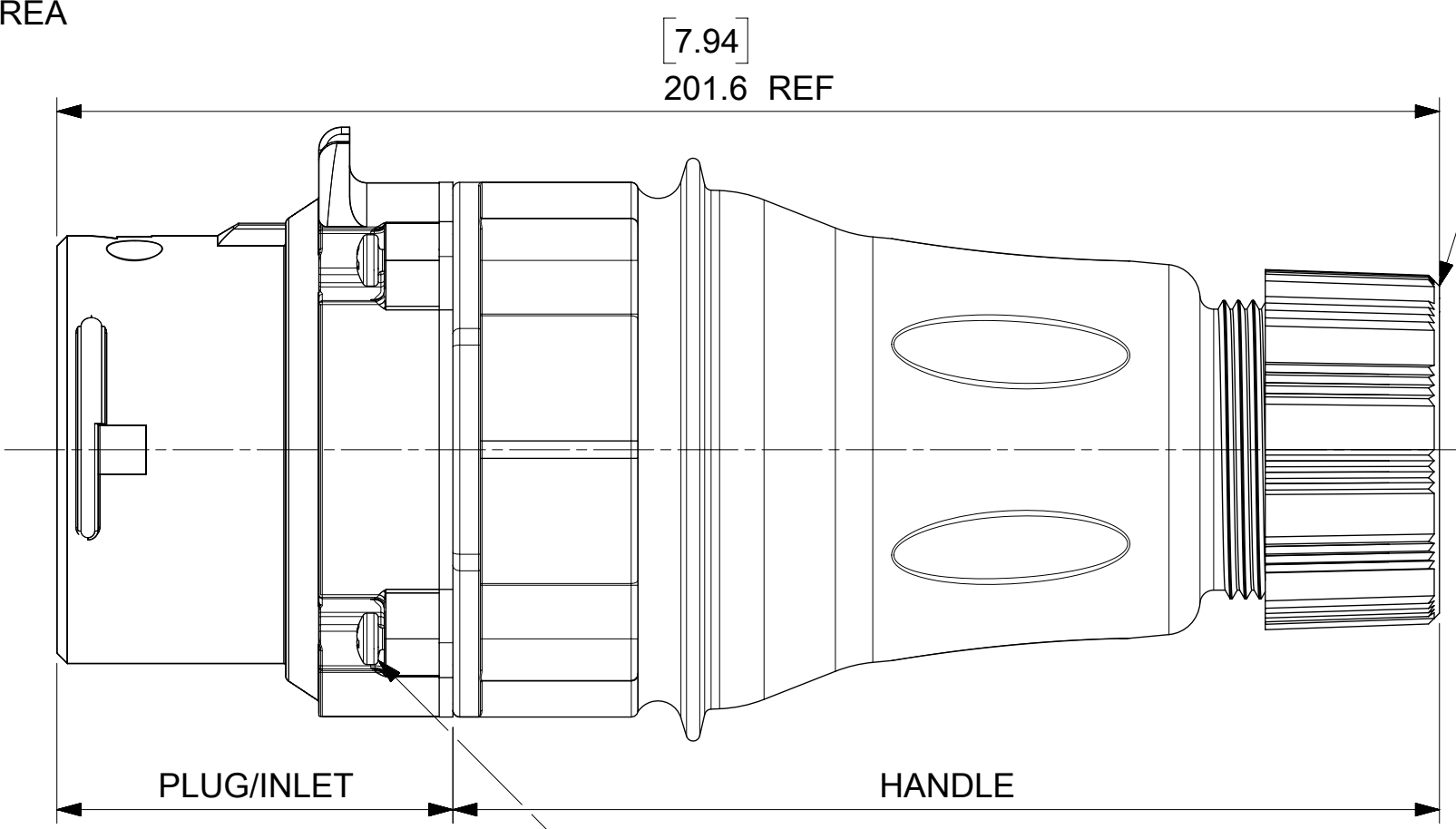
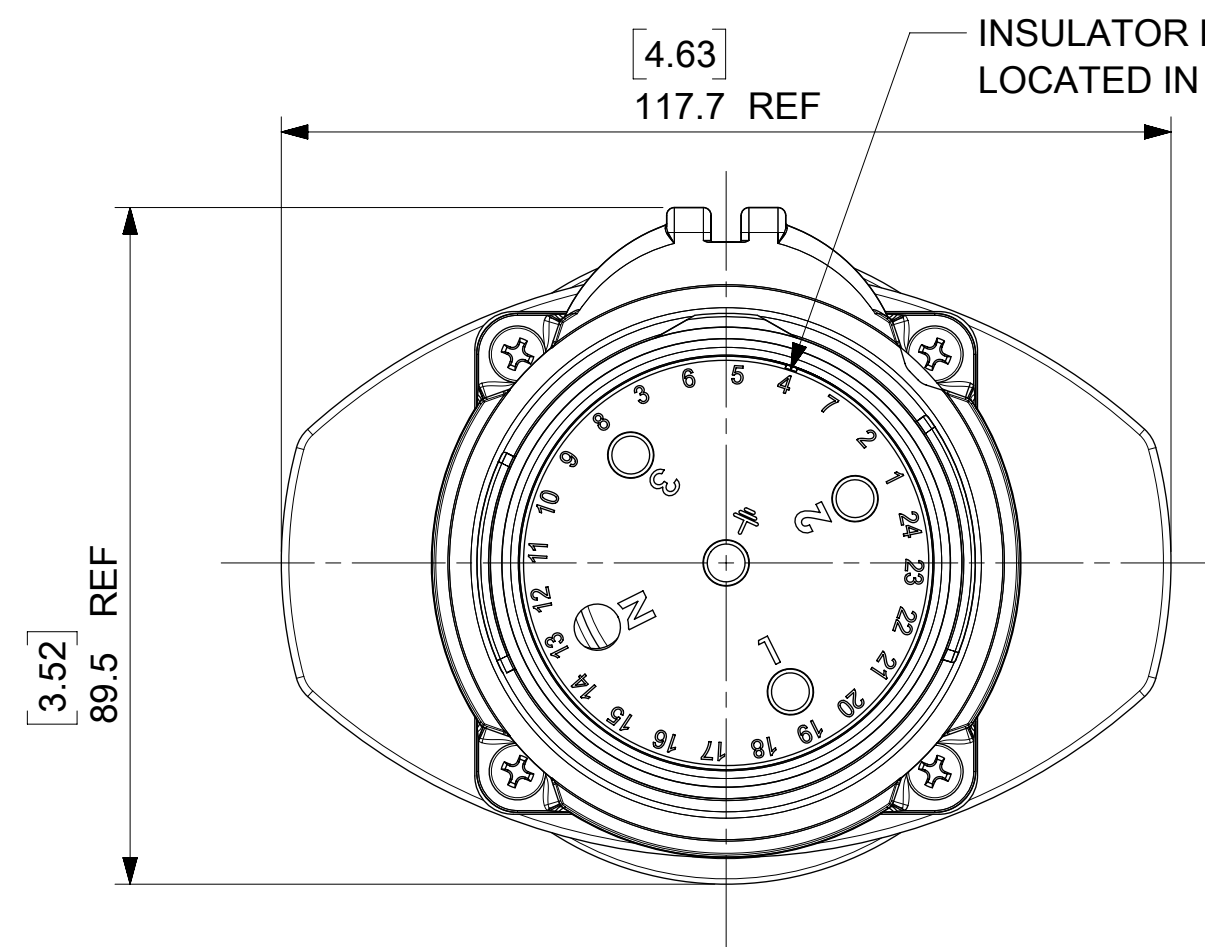
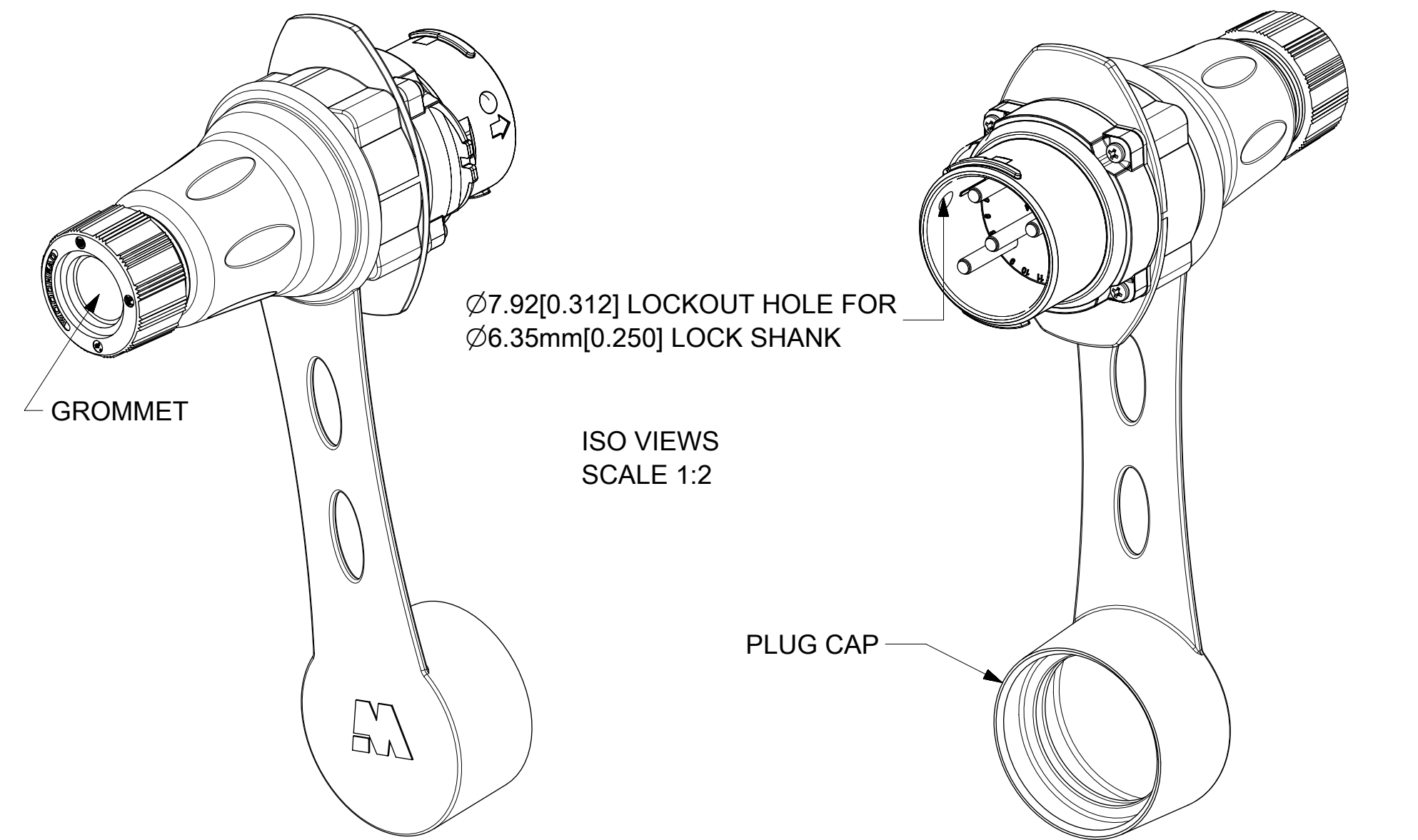


| MATERIAL NUMBER | ENGINEERING NUMBER | DESCRIPTION | INSULATOR KEYING POSITION | HORSEPOWER RATING |
|-----------------|--------------------|-------------------------------|---------------------------|-------------------|
| 1122171015 | ARC60MHDA01 | ARC 60A MHD 125VAC 1P+N+G | 7 | 2 HP |
| 1122171016 | ARC60MHDB02 | ARC 60A MHD 250VAC 2P+G | | 3 HP |
| 1122171017 | ARC60MHDB03 | ARC 60A MHD 250VAC 3P+G | | 7.5 HP |
| 1122171018 | ARC60MHDAB04 | ARC 60A MHD 125/250VAC 2P+N+G | 16 | NA |
| 1122171019 | ARC60MHDC02 | ARC 60A MHD 208VAC 2P+G | | NA |
| 1122171020 | ARC60MHDC03 | ARC 60A MHD 208VAC 3P+G | | 7.5 HP |
| 1122171021 | ARC60MHDC05 | ARC 60A MHD 120/208VAC 3P+N+G | 4 | NA |
| 1122171022 | ARC60MHDD01 | ARC 60A MHD 277VAC 1P+N+G | | NA |
| 1122171023 | ARC60MHDE02 | ARC 60A MHD 480VAC 2P+G | | NA |
| 1122171024 | ARC60MHDE03 | ARC 60A MHD 480VAC 3P+G | 14 | 20 HP |
| 1122171025 | ARC60MHDE05 | ARC 60A MHD 277/480VAC 3P+N+G | | NA |
| 1122171026 | ARC60MHDF02 | ARC 60A MHD 600VAC 2P+G | | NA |
| 1122171027 | ARC60MHDF03 | ARC 60A MHD 600VAC 3P+G | 14 | 20 HP |
| 1122171028 | ARC60MHDGF05 | ARC 60A MHD 347/600VAC 3P+N+G | | NA |



NOTES:
MATERIALS:
HANDLE, HOUSINGS AND INSULATORS: GLASS FILLED PBT
CONTACTS: COPPER ALLOY WITH A SILVER NICKEL TIP, SILVER PLATED
MOUNTING GASKETS: SILICONE
GROMMET - RUBBER
FRICTION RING - NATURAL POLYETHYLENE
COMPRESSION NUT - BLACK PBT
SELF TAPPING SCREWS - STAINLESS STEEL
PLUG CAP - RUBBER

RATINGS:
CURRENT: 60 AMPS
VOLTAGE AND HORSEPOWER: SEE TABLE
AMBIENT OPERATING TEMPERATURE: -25°C (-13°F) TO 60°C (140°F)
(WITH MAX. 30°C RISE ABOVE AMBIENT)
ENVIRONMENTAL: NEMA TYPE 4X & IP69K
WIRING CAPACITY: 10 AWG MIN. TO 4 AWG MAX.
TORQUE TERMINAL SCREWS TO 1.7 Nm (15 in-lbs)
AGENCY: UL LISTING PENDING
SWITCH RATED RECEPTACLE/CONNECTOR
BRANCH CIRCUIT DISCONNECT SWITCH
MOTOR CIRCUIT DISCONNECT SWITCH IF HP RATED

PLUG/INLET AND HANDLE ARE PACKAGED SEPARATELY.
END USER ASSEMBLY REQUIRED PER INSTRUCTIONS INCLUDED.

| GROMMET P/N | GROMMET COLOR | CABLE DIAMETER RANGE |
|-------------|---------------|--------------------------------|
| 1301800308 | ORANGE | 19.05mm-22.25mm(.750"-.875") |
| 1301800309 | YELLOW | 22.23mm-25.40mm(.875"-1.000") |
| 1301800310 | BLACK | 25.40mm-28.57mm(1.000"-1.125") |

THIS DRAWING CONTAINS INFORMATION THAT IS PROPRIETARY TO MOLEX ELECTRONIC TECHNOLOGIES, LLC AND SHOULD NOT BE USED WITHOUT WRITTEN PERMISSION

| | | | |
|--|---------|--|----------------|
| DIMENSION UNITS | SCALE | CURRENT REV DESC: GENERAL MARKET RELEASE | |
| MM/INCH | 1:1 | | |
| GENERAL TOLERANCES (UNLESS SPECIFIED) | | | |
| | MM | INCH | |
| 4 PLACES | ± | ± | |
| 3 PLACES | ± | ± 0.01 | |
| 2 PLACES | ± 0.25 | ± 0.02 | |
| 1 PLACE | ± 0.5 | ± 0.04 | |
| 0 PLACES | ± 1.0 | ± | |
| ANGULAR TOL | ± 3.0 ° | | |
| DRAFT WHERE APPLICABLE MUST REMAIN WITHIN DIMENSIONS | | THIRD ANGLE PROJECTION | DRAWING SERIES |
| | | C-SIZE | 112217 |

| | | | |
|-------------------|------------|--------------------------|--------------------------------|
| EC NO: 674097 | 2021/08/17 | | |
| DRWN: MJANTELEZIO | 2021/08/17 | | |
| CHK'D: WLEUNG | 2021/08/17 | | |
| APPR: WLEUNG | 2021/08/17 | PRODUCT CUSTOMER DRAWING | |
| INITIAL REVISION: | | DOCUMENT NUMBER | DOC TYPE DOC PART REVISION |
| DRWN: VBSUTHKARP | 2018/08/20 | 1122171024 | PSD 000 A2 |
| APPR: JFMURPHY | 2020/11/17 | MATERIAL NUMBER | CUSTOMER |
| | | SEE TABLE | GENERAL MARKET |
| | | | SHEET NUMBER |
| | | | 1 OF 1 |