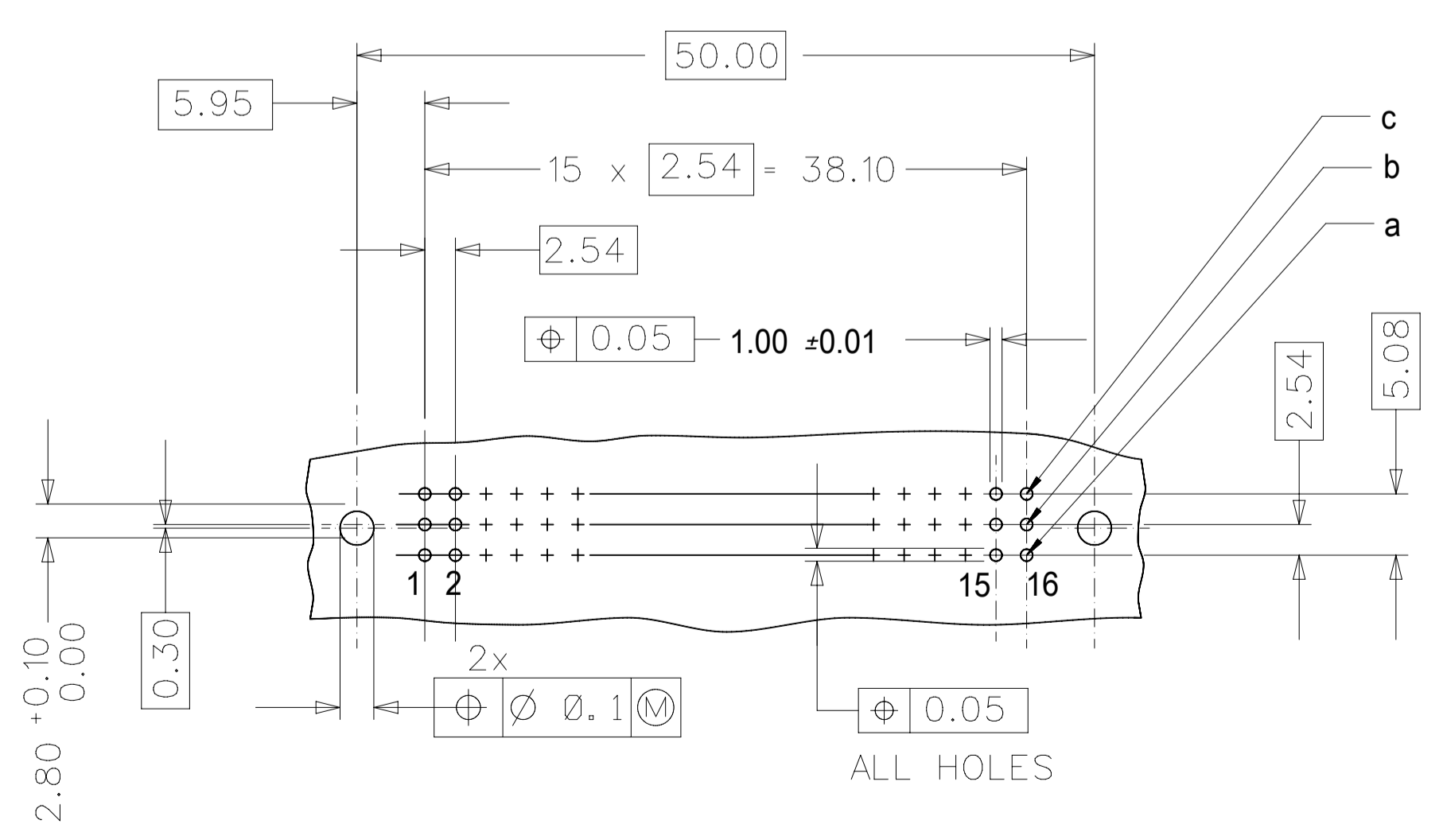
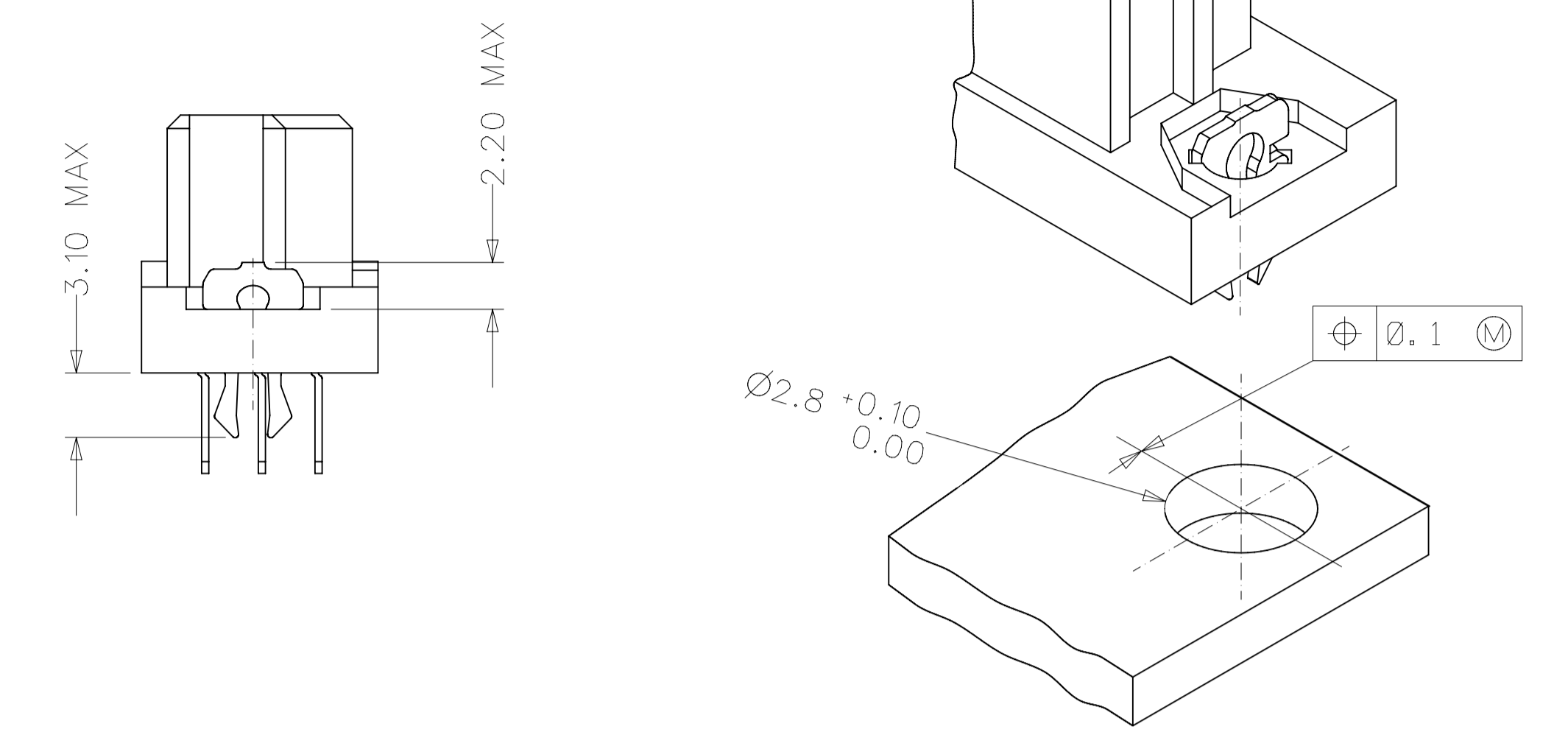


RECOMMENDED PCB LAYOUT
COMPONENT SIDE



WITH MOUNTING CLIPS



- NOTES:
- MATERIALS: THERMOPLASTIC POLYESTER, GLASS FILLED, UL94V-0. COLOUR: PEBBLE GREY RAL 7032
TERMINAL - PHOSPHOR BRONZE
MOUNTING CLIP: STEEL
 - FINISH: TERMINAL:-
CONTACT AREA
1. PERFORMANCE LEVEL 1: SELECTIVE GOLD (Au), THICKNESS = 1.1 MICROMETER OVER NICKEL, THICKNESS = 1.5 MICROMETER
2. PERFORMANCE LEVEL 2: SELECTIVE GOLD (Au), THICKNESS = 0.6 MICROMETER OVER NICKEL, THICKNESS = 1.5 MICROMETER
3. PERFORMANCE LEVEL 3: SELECTIVE GOLD (Au), THICKNESS = 0.3 MICROMETER OVER NICKEL, THICKNESS = 1.5 MICROMETER
TERMINATION AREA:
SELECTIVE TIN, THICKNESS = 5 MICROMETER OVER NICKEL, THICKNESS = 1.5 MICROMETER OVERALL
 - MOUNTING CLIP:-
TIN (Sn), THICKNESS = 5-10 MICROMETER, OVER NICKEL (Ni), THICKNESS = 2.5 MICROMETER
 - FOR NON MOUNTING CLIP OPTION, CONNECTOR TO BE SECURED WITH RIVETS: 2 TUBULAR RIVETS 2.5 x 0.3 ... DIN 7340
SCREWS: 2 CHEESEHEAD SCREWS M2.5 x DIN 84 AND 2 HEXAGONAL NUTS M2.5 DIN 934
 - MATERIAL No, BATCH CODE, UL AND CSA MARKING TO BE PRINTED ON THE CONNECTOR.
 - CUT FACES OF TIP WITHOUT PLATING PERMITTED.
 - PRODUCT SPECIFICATION PS-85042-0001

RoHS COMPLIANT

THIS DRAWING CONTAINS INFORMATION THAT IS PROPRIETARY TO MOLEX ELECTRONIC TECHNOLOGIES, LLC AND SHOULD NOT BE USED WITHOUT WRITTEN PERMISSION											
DIMENSION UNITS		SCALE		CURRENT REV DESC:							
mm		1:1									
GENERAL TOLERANCES (UNLESS SPECIFIED)				EC NO: 624787		2019/05/17		ASSY DIN41612 C/2 FEMALE			
4 PLACES		±		DRWN: RPRABHUM		2019/11/11		48 POS 1.0MM PCB DIA			
3 PLACES		± 0.005		CHK'D: GGA		2019/11/11		PRODUCT CUSTOMER DRAWING			
2 PLACES		± 0.1		APPR: GGA		2019/11/11		DOCUMENT NUMBER			
1 PLACE		± 0.15		INITIAL REVISION:				SD-85042-002		DOC TYPE DOC PART REVISION	
0 PLACES		±		DRWN: SHANKAR		2006/04/25		PSD		001 B2	
ANGULAR TOL		± 2.0°		APPR: SSUDHIR		2006/04/25		CUSTOMER		SHEET NUMBER	
DRAFT WHERE APPLICABLE MUST REMAIN WITHIN DIMENSIONS				THIRD ANGLE PROJECTION		DRAWING		SERIES		MATERIAL NUMBER	
						A1-SIZE		85042		SEE SHEET 2	
								GENERAL MARKET		1 OF 2	

MATERIAL No	MOLEX ENG No	PERF LEVEL	PLATING	CONTACT SEQUENCE/ROW	DIM "L" mm	MOUNTING CLIP	FLUX PROOF
850424294	85042-4294	2	Au+Ni	1,2,3....16 a+b+c	2.9	YES	NO
850429025	85042-9025	2	Au+Ni	1,2,3....16 a+b+c	4.5	YES	NO
850420048	85042-0048	2	Au+Ni	1,2,3....16 a+c	4.5	NO	NO
850420086	85042-0086	2	Au+Ni	1,2,3....16 a+b+c	4.5	NO	NO
850421330	85042-1330	1	Au+Ni	1,2,3....16 a+b+c	4.5	NO	NO
850424268	85042-4268	2	Au+Ni	1,2,3....16 a+b+c	2.9	NO	NO
850424282	85042-4282	2	Au+Ni	1,2,3....16 a+c	2.9	YES	NO
850426098	85042-6098	3	Au+Ni	1,2,3....16 a+b+c	2.9	NO	NO
850429022	85042-9022	2	Au+Ni	1,2,3....16 a+c	2.9	YES	NO


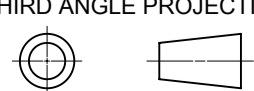
View on mating side

o	A	A	A	A	A	A	A	A	A	A	A	A	A	A	A	A
D																
o	A	A	A	A	A	A	A	A	A	A	A	A	A	A	A	A
	1	2	3	4	5	6	7	8	9	10	11	12	13	14	15	16

View on mating side

o	A	A	A	A	A	A	A	A	A	A	A	A	A	A	A	A
D	A	A	A	A	A	A	A	A	A	A	A	A	A	A	A	A
o	A	A	A	A	A	A	A	A	A	A	A	A	A	A	A	A
	1	2	3	4	5	6	7	8	9	10	11	12	13	14	15	16

RoHS COMPLIANT

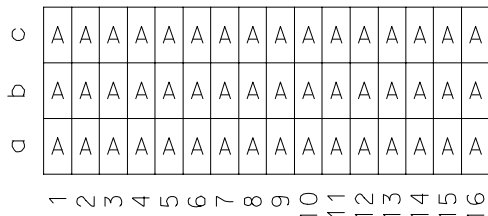
THIS DRAWING CONTAINS INFORMATION THAT IS PROPRIETARY TO MOLEX ELECTRONIC TECHNOLOGIES, LLC AND SHOULD NOT BE USED WITHOUT WRITTEN PERMISSION											
DIMENSION UNITS mm		SCALE 1:1		CURRENT REV DESC:							
GENERAL TOLERANCES (UNLESS SPECIFIED)				EC NO: 624787							
		MM		INCH		DRWN: RPRABHUM 2019/05/17		ASSY DIN41612 C/2 FEMALE 48 POS 1.0MM PCB DIA			
4 PLACES ±		±		±		CHK'D: GGA 2019/11/11		PRODUCT CUSTOMER DRAWING			
3 PLACES ±		0.005		±		APPR: GGA 2019/11/11		DOCUMENT NUMBER			
2 PLACES ±		0.1		±		INITIAL REVISION:		SD-85042-002		DOC TYPE DOC PART REVISION	
1 PLACE ±		0.15		±		DRWN: SHANKAR 2006/04/25		PSD		001 B2	
0 PLACES ±				±		APPR: SSUDHIR 2006/04/25		CUSTOMER		SHEET NUMBER	
ANGULAR TOL ±		2.0 °				DRAWING		GENERAL MARKET		2 OF 2	
DRAFT WHERE APPLICABLE MUST REMAIN WITHIN DIMENSIONS				THIRD ANGLE PROJECTION		SERIES		MATERIAL NUMBER		SEE SHEET 2	
						A1-SIZE		85042			

7 6 5 4 3 2 1

E

E

View on mating side



D

D

A = 48 standard contacts L=2,9

Marking	Standard
Performance level	G3/0= Contact area Level3 / Termination Tin
Flux proof	no
Fixing clip	no
Dimensions	SD-36501-0001 Sht 1
Technical Data	PS-36500-001

C

C

A	G3/0	a1-I6	b1-I6	c1-I6
Contact symbol	Perform. level	Contact position number		

B

B

A

A

EC NO: I2006-0283 DRWN:SSUDHIR 2005/11/19 CHKD:KPRASAD 2005/11/21 APPR:KPRASAD 2005/11/21	DESCRIPTION REV	QUALITY SYMBOLS	GENERAL TOLERANCES (UNLESS SPECIFIED)		DIMENSION STYLE MM ONLY		SCALE ---	DESIGN UNITS METRIC	THIRD ANGLE PROJECTION	
		▼=0 □=0	mm	INCH	DRAWN BY	DATE	TITLE 48 POS FEMALE CONNECTOR DIN 41612, STYLE C/2 CONTACTS ARRANGEMENT			
		4 PLACES	±---	±---	SSUDHIR	2005/10/19				
		3 PLACES	±---	±---	CHECKED BY	DATE	MOLEX INCORPORATED			
2 PLACES	±---	±---	KPRASAD	2005/10/19						
1 PLACE	±---	±---	APPROVED BY	DATE	MATERIAL NO.		DOCUMENT NO.		SHEET NO.	
ANGULAR ±---°			KPRASAD	2005/10/19	85042-6098	SD-85042-6098		1 OF 1		
DRAFT WHERE APPLICABLE MUST REMAIN WITHIN DIMENSIONS			SIZE		THIS DRAWING CONTAINS INFORMATION THAT IS PROPRIETARY TO MOLEX INCORPORATED AND SHOULD NOT BE USED WITHOUT WRITTEN PERMISSION					
A1	REV									

6

5

4

3

2

1