

HEADER WITH LEFT HOLD DOWN (FIGURE 1)				
PART NUMBER	NUMBER OF POWER MODULES	"DIM A"	PLATING OPTION	LEFT HOLD DOWN MODULE LOCATION
78347-100*	1X	15.00	TIN	REFER TO SHEET 2 FOR DETAILS
78347-10**	2X	26.40		

HEADER WITH RIGHT HOLD DOWN (FIGURE 2)				
PART NUMBER	NUMBER OF POWER MODULES	"DIM A"	PLATING OPTION	RIGHT HOLD DOWN MODULE LOCATION
78347-200*	1X	15.00	TIN	REFER TO SHEET 2 FOR DETAILS
78347-20**	2X	26.40		

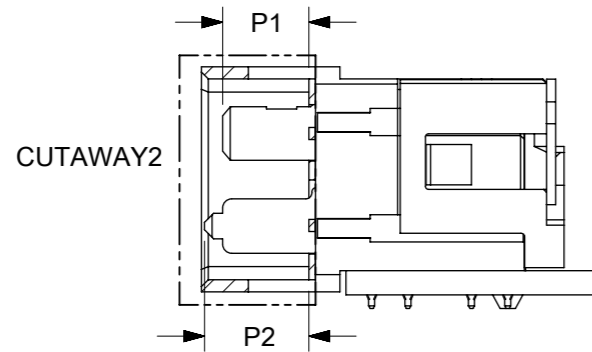


FIGURE 3: BLADE P1 AND P2 LOCATION

NOTES:

- MATERIALS:
HOUSING - LCP, GLASS FILLED, UL 94-V0, BLACK.
POWER PIN - COPPER ALLOY.
- FINISHES:
0.76µm MINIMUM GOLD AT CONTACT AREA AND
2.54µm MINIMUM TIN AT SOLDER TAIL AREA OVER
1.27µm MINIMUM NICKEL UNDERPLATE.
- PRODUCT SPECIFICATION: PS-78213-001.
- PACKAGING SPECIFICATION:
PK-78347-001 (1X MODULE WITH HOLD DOWN MODULE)
PK-78347-002 (2X MODULE WITH HOLD DOWN MODULE)
- REFER TO MOLEX PRODUCT SPECIFICATION PS-78213-001 FOR PLATED THROUGH-HOLE SPECIFICATIONS AND TORQUE FORCE.
- MATES WITH 78212-**** or 78348-****.
- PART NUMBER AND YEAR-DAY CODE CAN BE AT THE OPPOSITE SIDE.
- ADD 11.40mm FOR EACH ADDITIONAL POWER MODULE.
- THE DETAILS FOR LEFT & RIGHT HOLD DOWN OPTION ARE SHOWN IN SHEET 2, 3 AND SHEET 4 RESPECTIVELY.
- CONNECTORS ARE PACKED IN A TRAY.
- FIRST POWER MODULE (#1) STARTS FROM THE RIGHT.
- REFER TO SD-78211-002 FOR DETAILS OF THE POWER MODULE.
- ALL PARTS ARE SHIPPED WITH A 2-32 TYPE AB SELF-TAPPING SCREW PART NUMBER 73726-0000.
- COMPONENT STAY AWAY ZONE FROM CONNECTOR.

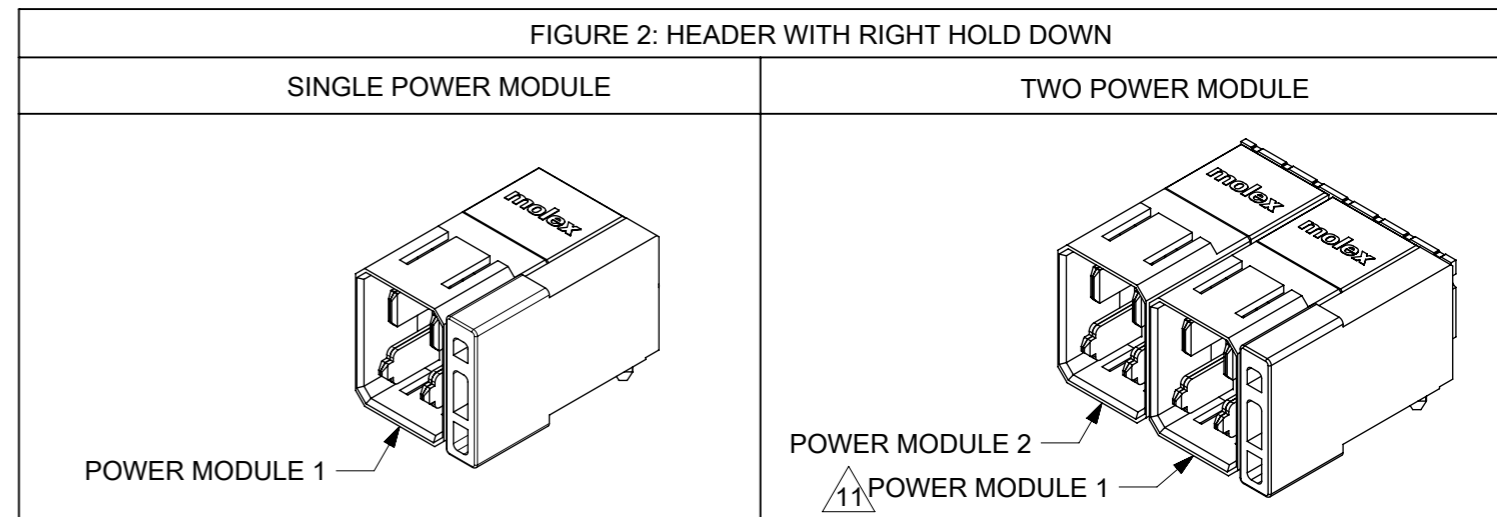
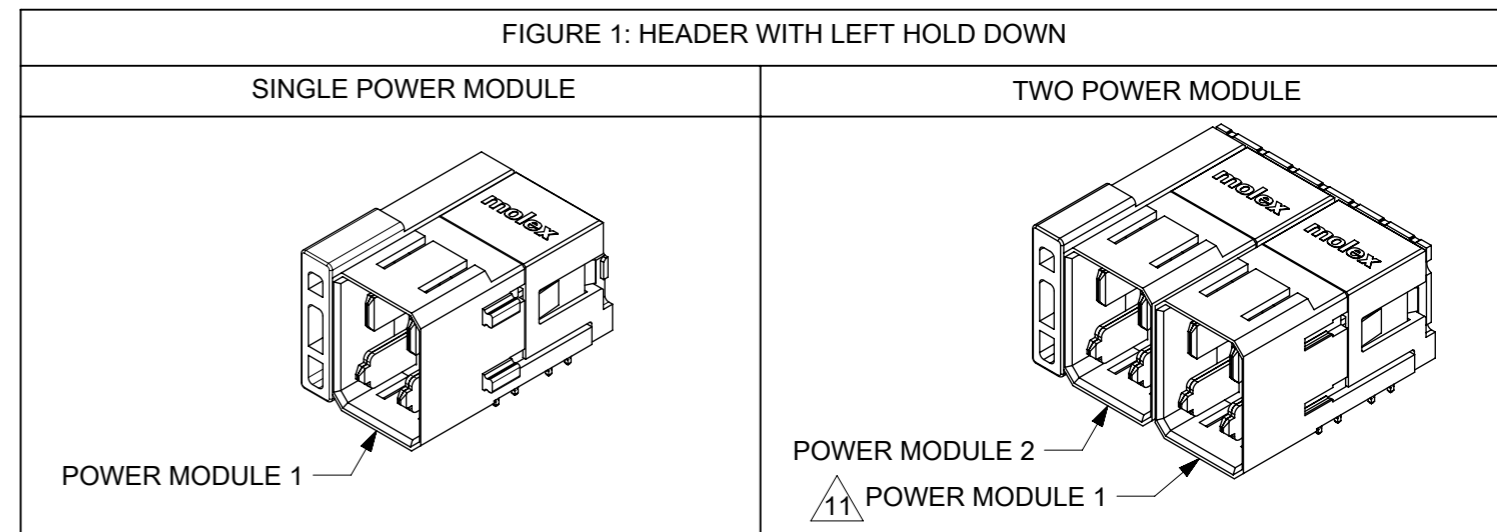
DOCUMENT STATUS	P1	RELEASE DATE	2019/03/13	10:32:46
-----------------	----	--------------	------------	----------

PLATING OPTION	HOLD DOWN MODULE LOCATION	*
TIN	LEFT	1
	RIGHT	2

78347- *0**

*	BLADE LENGTH	
	P1	P2
0	MODULE NOT PRESENT	
1	6.90	6.90
2	5.70	5.70
3	6.90	5.70
4	5.70	6.90

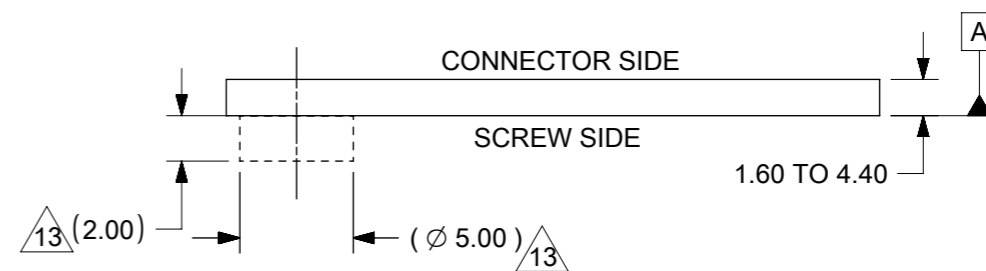
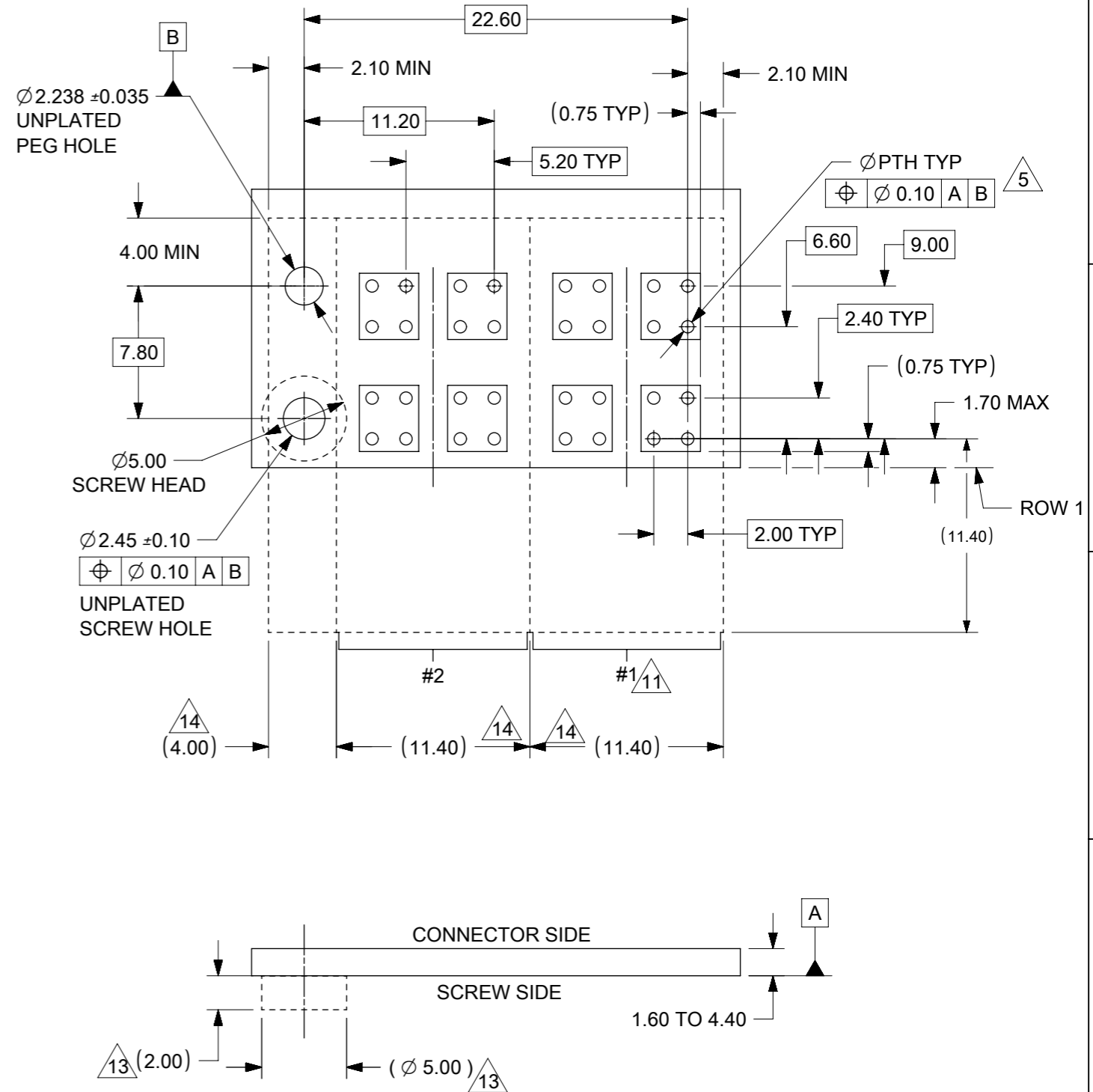
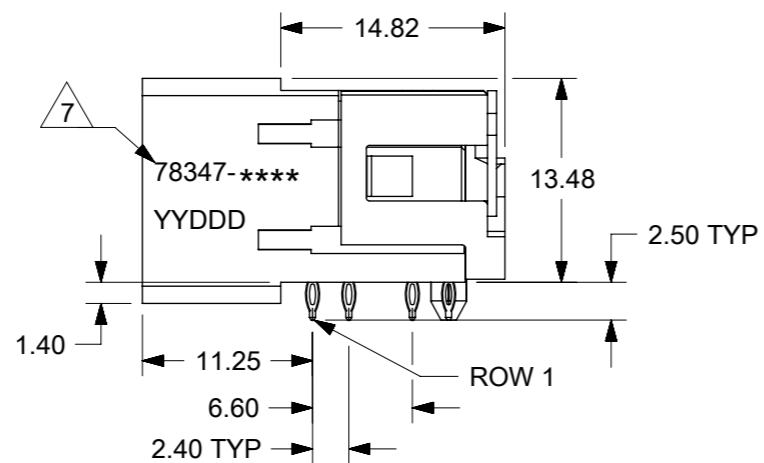
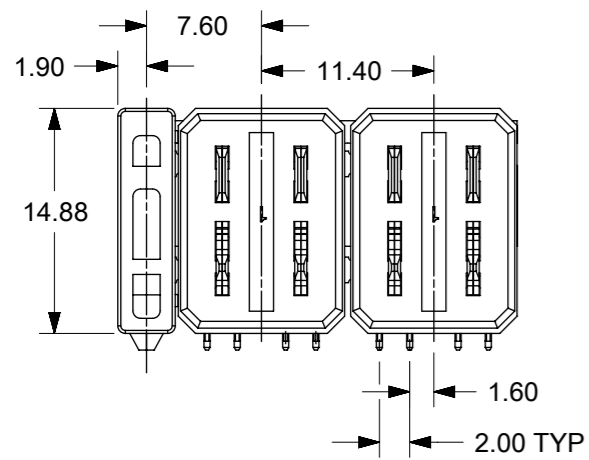
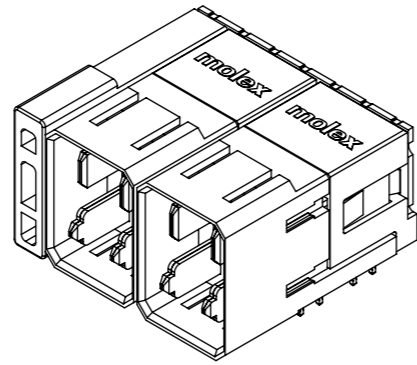
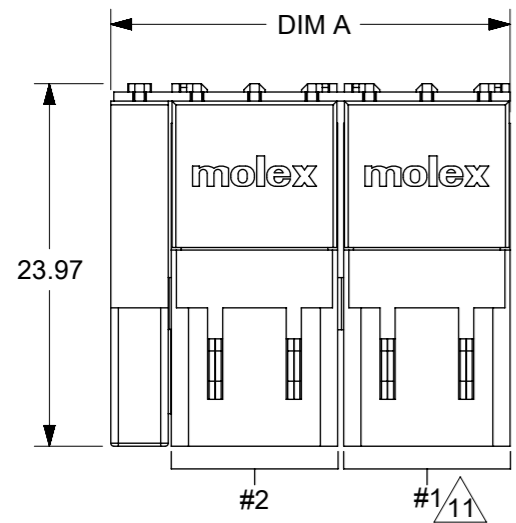
*	BLADE LENGTH	
	P1	P2
1	6.90	6.90
2	5.70	5.70
3	6.90	5.70
4	5.70	6.90



THIS DRAWING CONTAINS INFORMATION THAT IS PROPRIETARY TO MOLEX ELECTRONIC TECHNOLOGIES, LLC AND SHOULD NOT BE USED WITHOUT WRITTEN PERMISSION

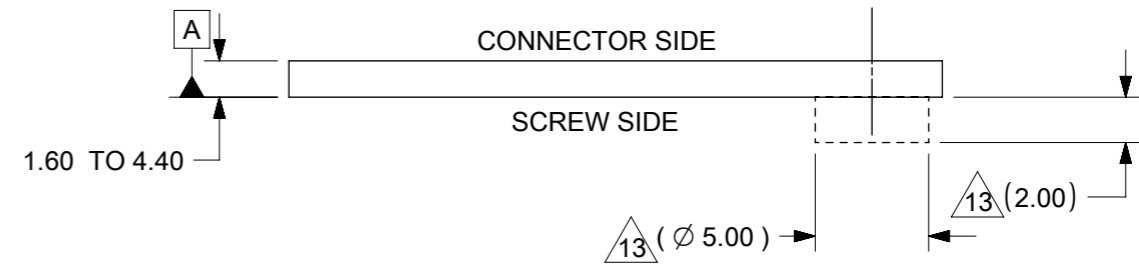
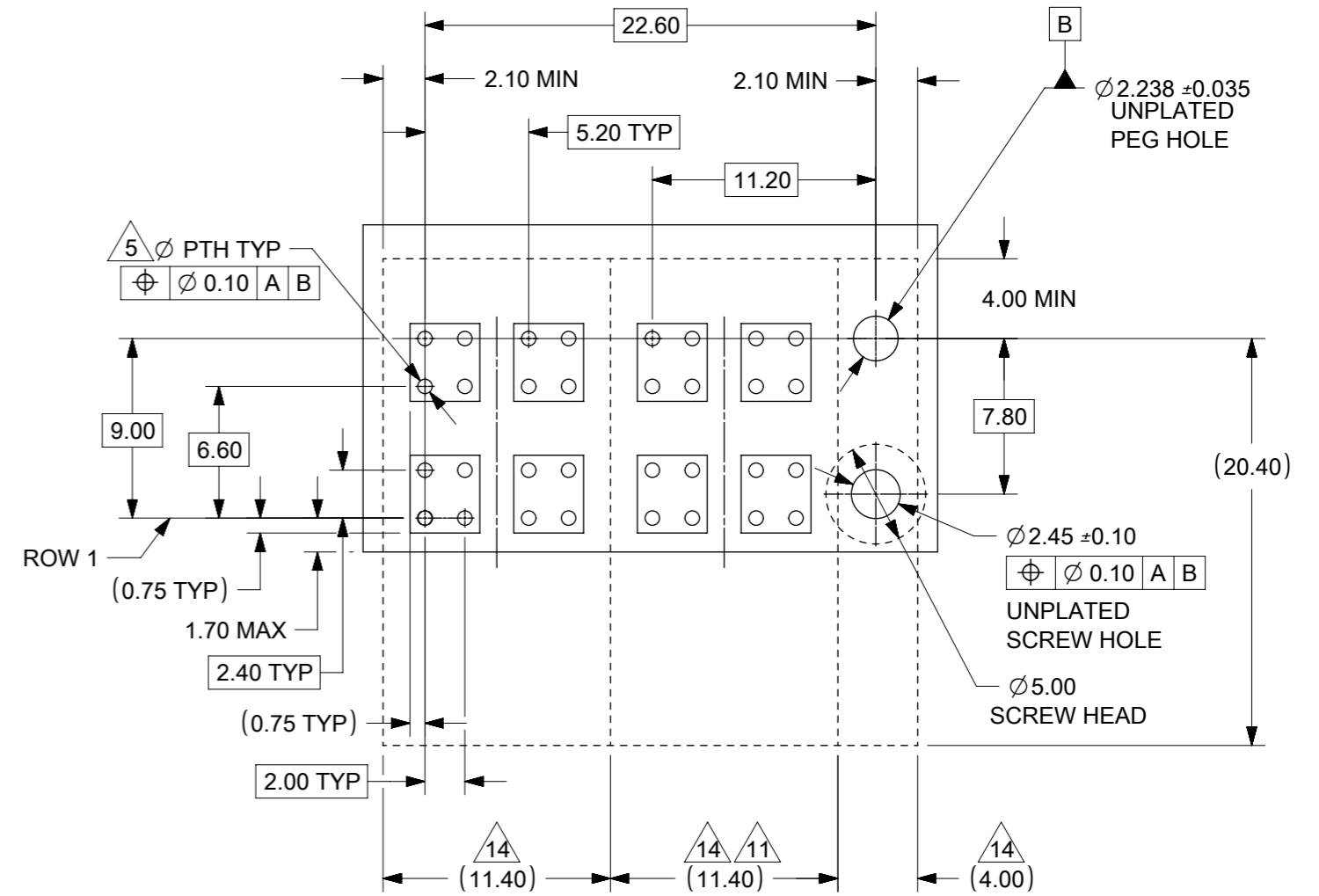
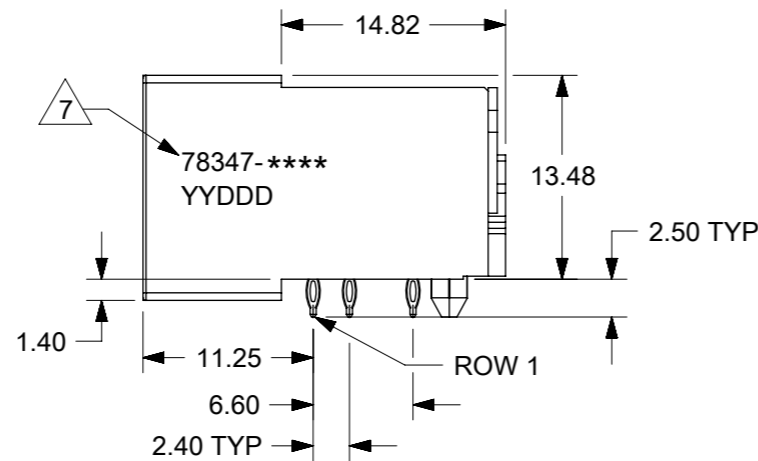
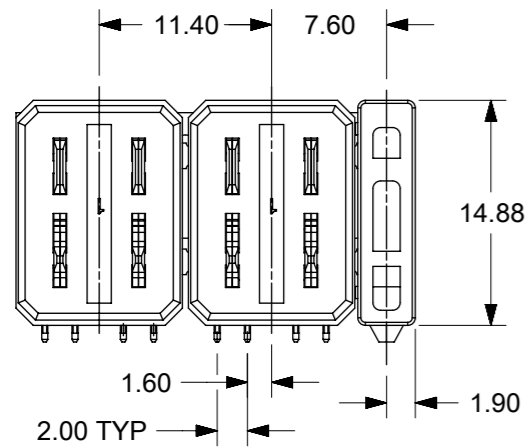
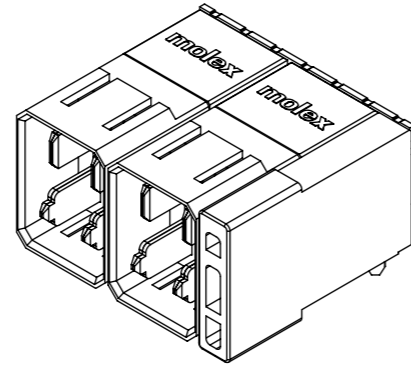
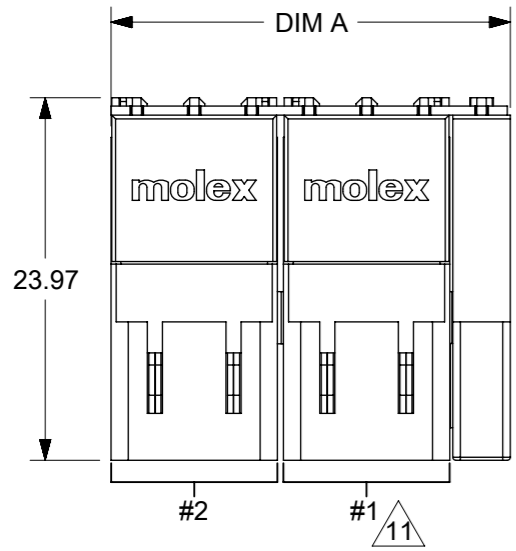
DIMENSION UNITS	SCALE	CURRENT REV DESC: MIGRATED TO NX		molex		
mm	NTS					
GENERAL TOLERANCES (UNLESS SPECIFIED)		EC NO: 612508		IMPACT POWER, 3 PAIR R/A HEADER W/HOLD DOWN PRESS-FIT		
ANGULAR TOL	± 3.0 °	DRWN: PSHANKARACHA	2019/01/17	PRODUCT CUSTOMER DRAWING		
4 PLACES	±	CHK'D: ABN	2019/03/12	DOCUMENT NUMBER		
3 PLACES	±	APPR: CWANG25	2019/03/13	SD-78347-001		
2 PLACES	± 0.25	INITIAL REVISION:		DOC TYPE	DOC PART	REVISION
1 PLACE	±	DRWN: LNG	2010/08/11	PSD	001	B8
0 PLACES	±	APPR: SHONG	2011/02/08	SHEET NUMBER		
DRAFT WHERE APPLICABLE MUST REMAIN WITHIN DIMENSIONS		THIRD ANGLE PROJECTION	DRAWING	SERIES	MATERIAL NUMBER	CUSTOMER
			A3-SIZE	78347	SEE TABLE	GENERAL MARKET
						1 OF 5

LEFT HOLD DOWN OPTION

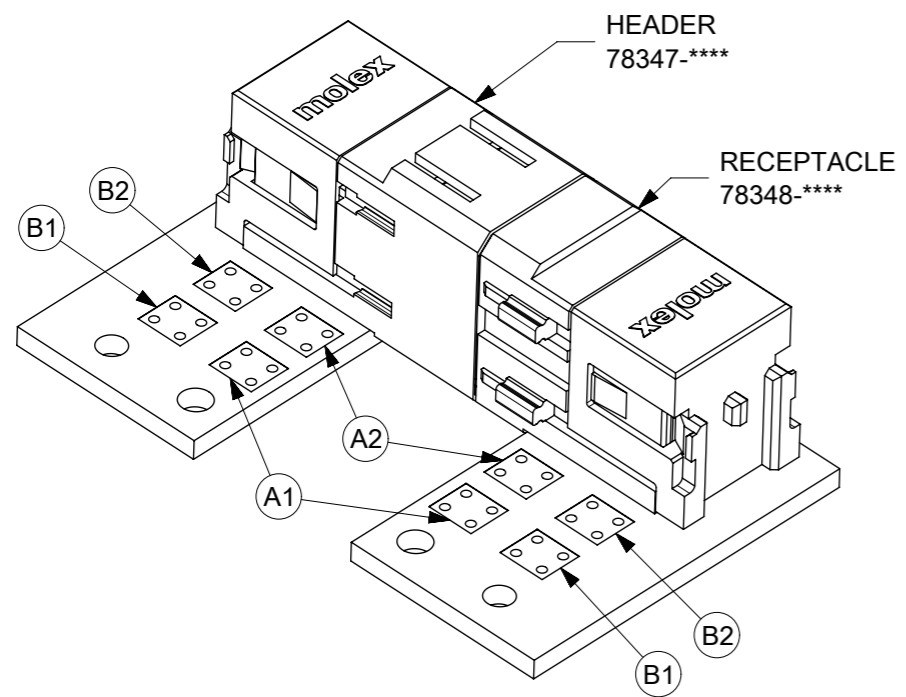


THIS DRAWING CONTAINS INFORMATION THAT IS PROPRIETARY TO MOLEX ELECTRONIC TECHNOLOGIES, LLC AND SHOULD NOT BE USED WITHOUT WRITTEN PERMISSION																	
DIMENSION UNITS		SCALE		CURRENT REV DESC: MIGRATED TO NX													
mm		NTS															
GENERAL TOLERANCES (UNLESS SPECIFIED)										EC NO: 612508 DRWN: PSHANKARACHA 2019/01/17 CHK'D: ABN 2019/03/12 APPR: CWANG25 2019/03/13							
ANGULAR TOL ± 3.0°										INITIAL REVISION: DRWN: LNG 2010/08/11 APPR: SHONG 2011/02/08							
4 PLACES ±										DOCUMENT NUMBER		DOC TYPE		DOC PART		REVISION	
3 PLACES ±										SD-78347-001		PSD		001		B8	
2 PLACES ± 0.25				MATERIAL NUMBER		CUSTOMER		SHEET NUMBER									
1 PLACE ±				SEE TABLE		GENERAL MARKET		2 OF 5									
0 PLACES ±				DRAWING		SERIES		THIRD ANGLE PROJECTION									
DRAFT WHERE APPLICABLE MUST REMAIN WITHIN DIMENSIONS				A3-SIZE		78347											
DOCUMENT STATUS		P1		RELEASE DATE		2019/03/13		10:32:46									

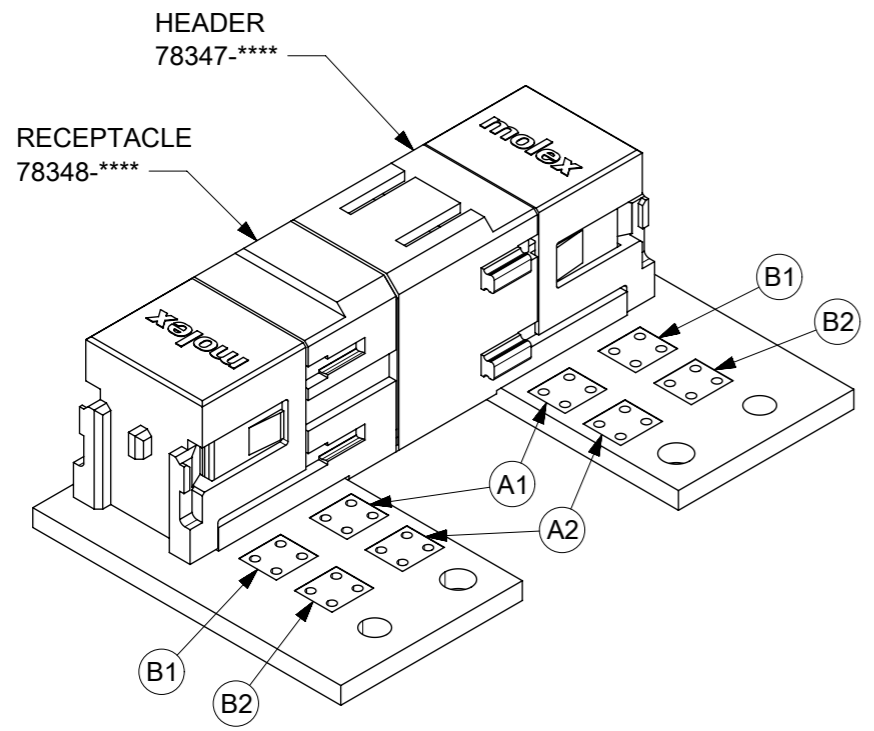
RIGHT HOLD DOWN OPTION



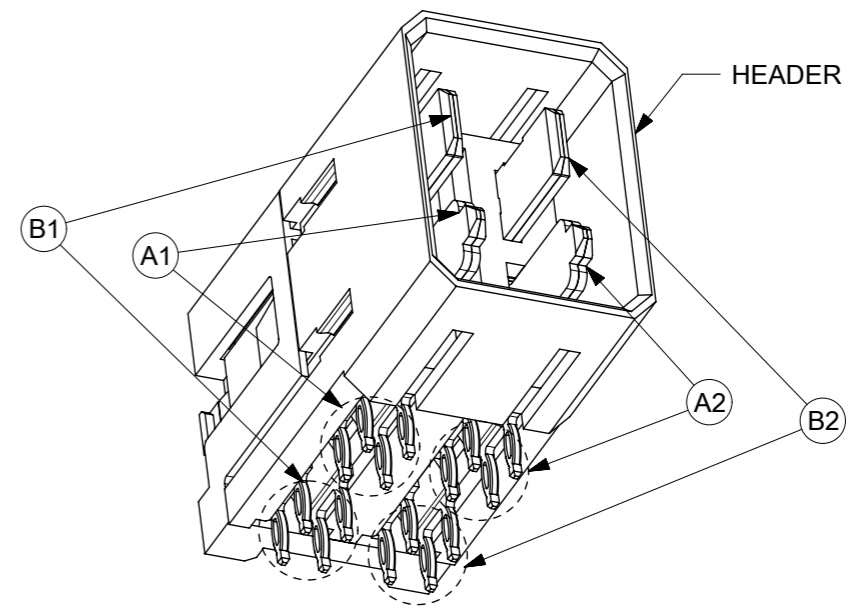
THIS DRAWING CONTAINS INFORMATION THAT IS PROPRIETARY TO MOLEX ELECTRONIC TECHNOLOGIES, LLC AND SHOULD NOT BE USED WITHOUT WRITTEN PERMISSION		CURRENT REV DESC: MIGRATED TO NX		molex	
DIMENSION UNITS	SCALE				
mm	NTS			IMPACT POWER, 3 PAIR R/A HEADER W/HOLD DOWN PRESS-FIT	
GENERAL TOLERANCES (UNLESS SPECIFIED)				PRODUCT CUSTOMER DRAWING	
ANGULAR TOL	± 3.0°	EC NO:	612508	DOCUMENT NUMBER	
4 PLACES	±	DRWN:	PSHANKARACHA 2019/01/17	SD-78347-001	DOC TYPE
3 PLACES	±	CHK'D:	ABN 2019/03/12	PSD	DOC PART
2 PLACES	± 0.25	APPR:	CWANG25 2019/03/13	001	REVISION
1 PLACE	±	INITIAL REVISION:		B8	
0 PLACES	±	DRWN:	LNG 2010/08/11		
DRAFT WHERE APPLICABLE MUST REMAIN WITHIN DIMENSIONS		APPR:	SHONG 2011/02/08		
THIRD ANGLE PROJECTION		DRAWING	SERIES	MATERIAL NUMBER	CUSTOMER
A3-SIZE		78347	SEE TABLE	GENERAL MARKET	SHEET NUMBER
					3 OF 5



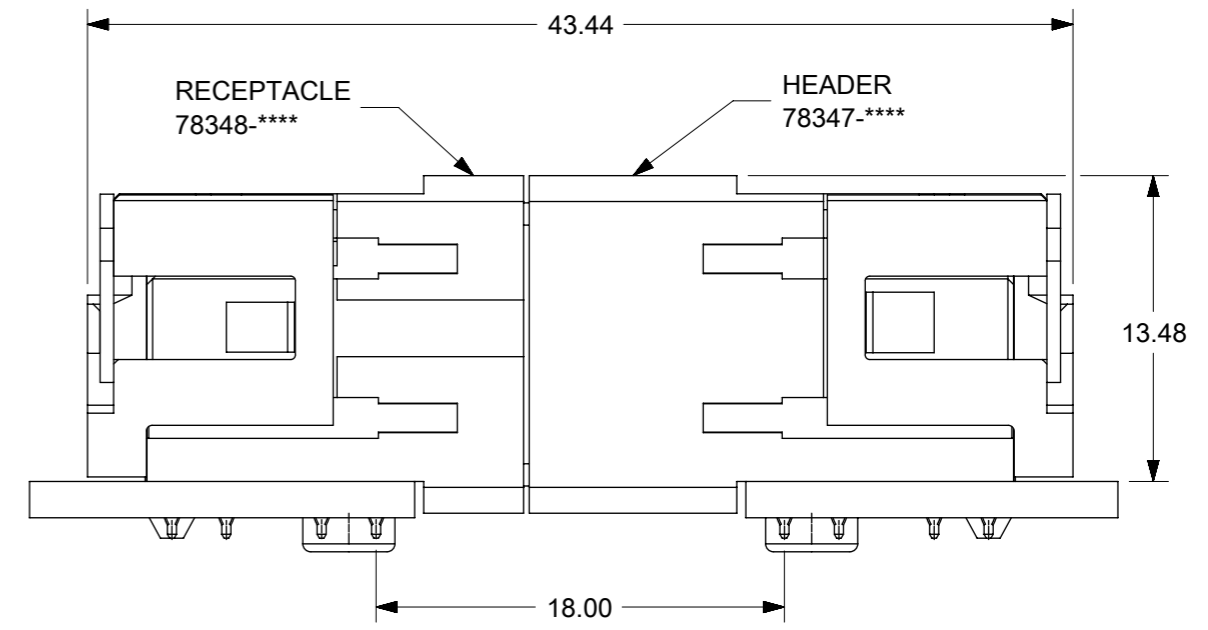
LEFT HOLD DOWN:
1 POWER MODULE AND HOLD DOWN REMOVED TO
ILLUSTRATE CIRCUIT PATH OF MATED SYSTEM



RIGHT HOLD DOWN:
1 POWER MODULE AND HOLD DOWN REMOVED TO
ILLUSTRATE CIRCUIT PATH OF MATED SYSTEM

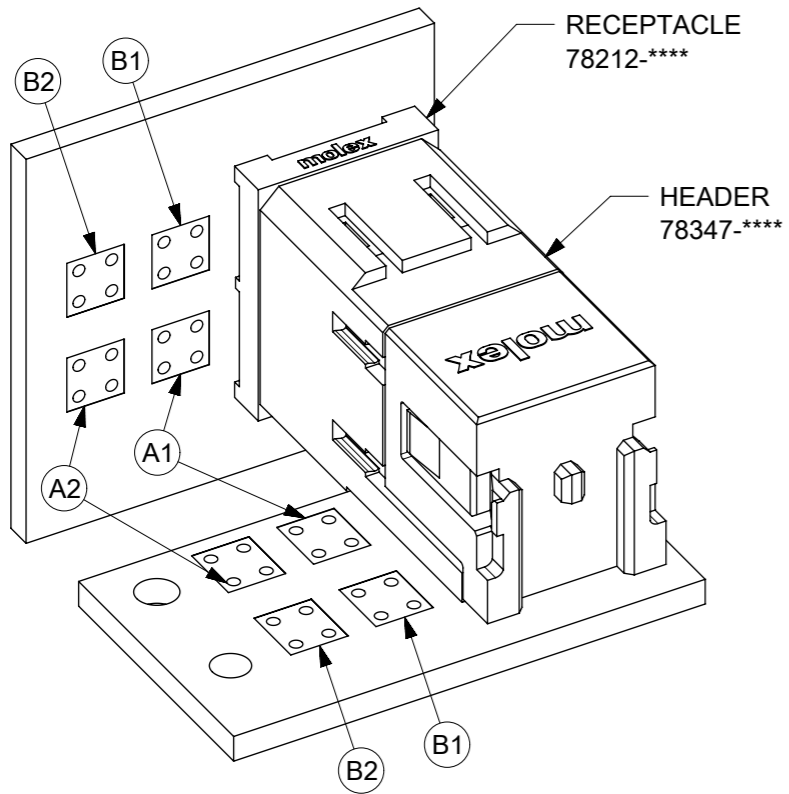


PIN NUMBER ASSIGNMENT BASED ON HEADER SIDE:
A1, B1 ON THE LEFT,
A2, B2 ON THE RIGHT.

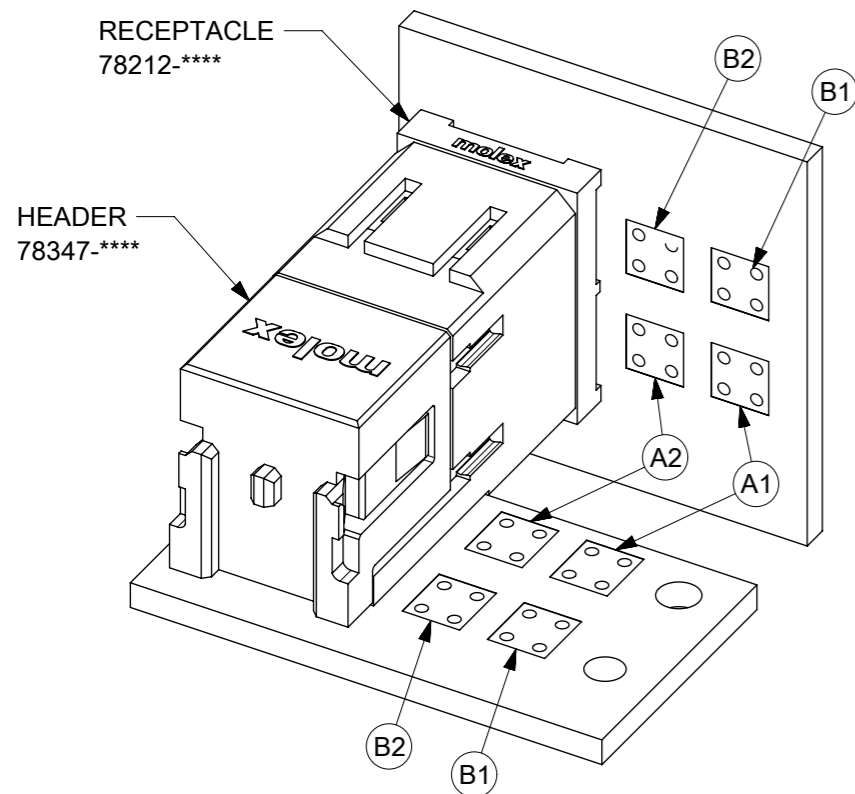


MATED SYSTEM OF 78347 & 78348

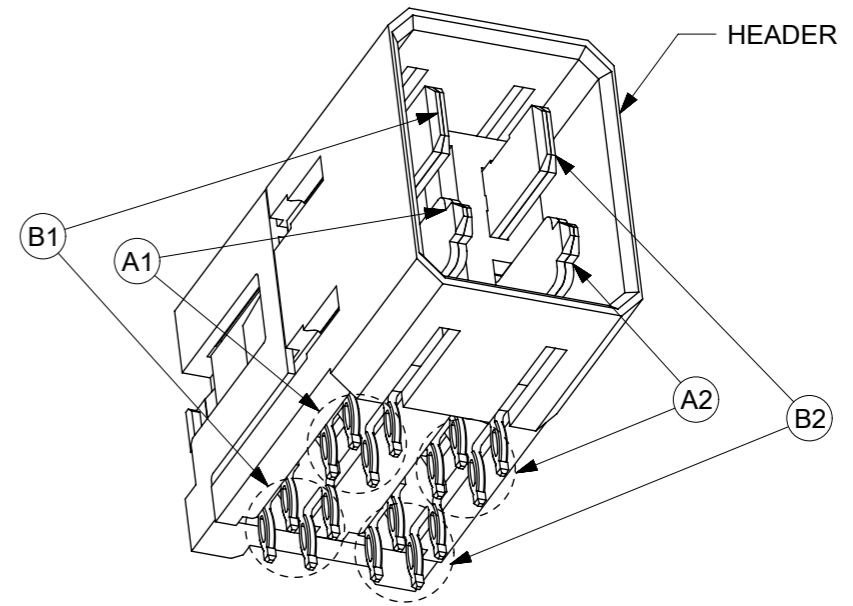
THIS DRAWING CONTAINS INFORMATION THAT IS PROPRIETARY TO MOLEX ELECTRONIC TECHNOLOGIES, LLC AND SHOULD NOT BE USED WITHOUT WRITTEN PERMISSION											
DIMENSION UNITS		SCALE		CURRENT REV DESC: MIGRATED TO NX						molex	
mm		NTS									
GENERAL TOLERANCES (UNLESS SPECIFIED)				EC NO: 612508						IMPACT POWER, 3 PAIR	
ANGULAR TOL ± 3.0 °				DRWN: PSHANKARACHA 2019/01/17						R/A HEADER W/HOLD DOWN PRESS-FIT	
4 PLACES ±				CHK'D: ABN 2019/03/12						PRODUCT CUSTOMER DRAWING	
3 PLACES ±				APPR: CWANG25 2019/03/13						DOCUMENT NUMBER	
2 PLACES ± 0.25				INITIAL REVISION:						SD-78347-001	
1 PLACE ±				DRWN: LNG 2010/08/11						DOC TYPE	
0 PLACES ±				APPR: SHONG 2011/02/08						PSD	
DRAFT WHERE APPLICABLE MUST REMAIN WITHIN DIMENSIONS				THIRD ANGLE PROJECTION		DRAWING		SERIES		SHEET NUMBER	
				A3-SIZE		78347		SEE TABLE		4 OF 5	



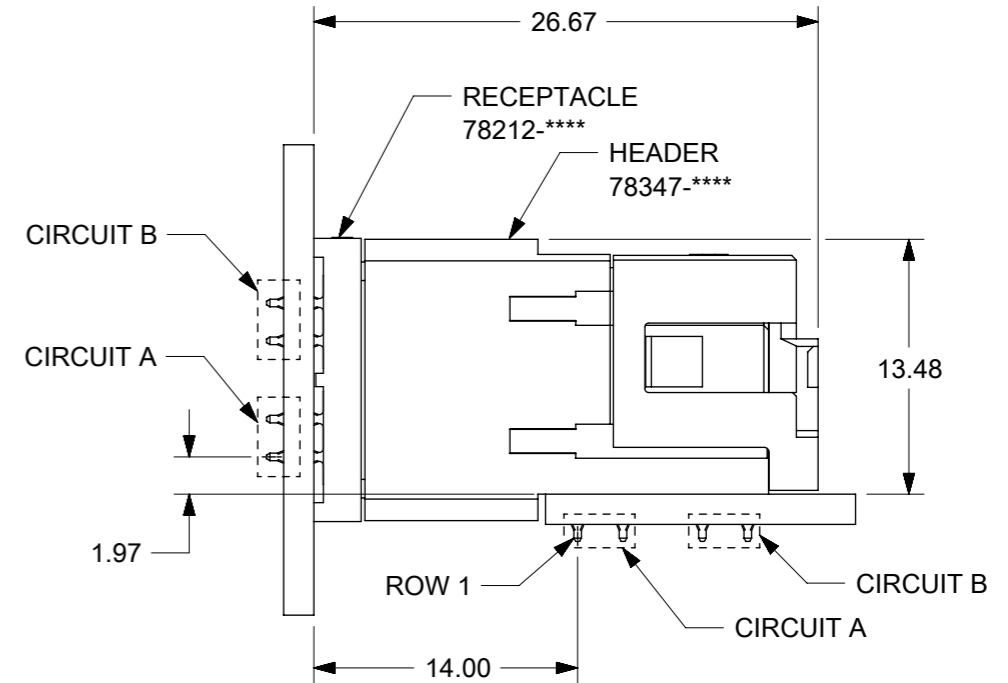
RIGHT HOLD DOWN:
1 POWER MODULE AND HOLD DOWN REMOVED TO
ILLUSTRATE CIRCUIT PATH OF MATED SYSTEM



LEFT HOLD DOWN:
1 POWER MODULE AND HOLD DOWN REMOVED TO
ILLUSTRATE CIRCUIT PATH OF MATED SYSTEM



PIN NUMBER ASSIGNMENT BASED ON HEADER SIDE:
A1, B1 ON THE LEFT,
A2, B2 ON THE RIGHT.



MATED SYSTEM OF 78347 & 78212

THIS DRAWING CONTAINS INFORMATION THAT IS PROPRIETARY TO MOLEX ELECTRONIC TECHNOLOGIES, LLC AND SHOULD NOT BE USED WITHOUT WRITTEN PERMISSION		CURRENT REV DESC: MIGRATED TO NX		molex	
DIMENSION UNITS	SCALE				
mm	NTS			IMPACT POWER, 3 PAIR R/A HEADER W/HOLD DOWN PRESS-FIT	
GENERAL TOLERANCES (UNLESS SPECIFIED)				PRODUCT CUSTOMER DRAWING	
ANGULAR TOL	± 3.0 °	EC NO:	612508	DOCUMENT NUMBER	DOC TYPE
4 PLACES	±	DRWN:	PSHANKARACHA 2019/01/17	SD-78347-001	PSD
3 PLACES	±	CHK'D:	ABN 2019/03/12	001	B8
2 PLACES	± 0.25	APPR:	CWANG25 2019/03/13	REVISION	
1 PLACE	±	INITIAL REVISION:			
0 PLACES	±	DRWN:	LNG 2010/08/11		
		APPR:	SHONG 2011/02/08		
DRAFT WHERE APPLICABLE MUST REMAIN WITHIN DIMENSIONS	THIRD ANGLE PROJECTION	DRAWING	SERIES	MATERIAL NUMBER	CUSTOMER
		A3-SIZE	78347	SEE TABLE	GENERAL MARKET
		SHEET NUMBER	5 OF 5		