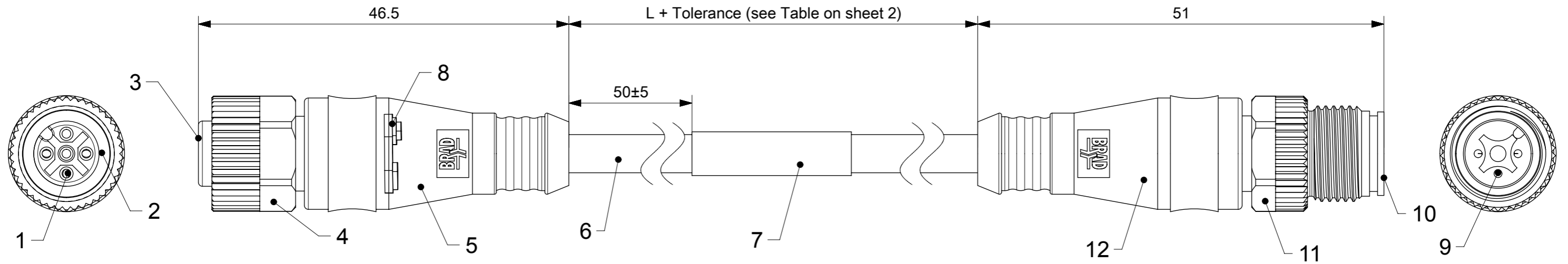
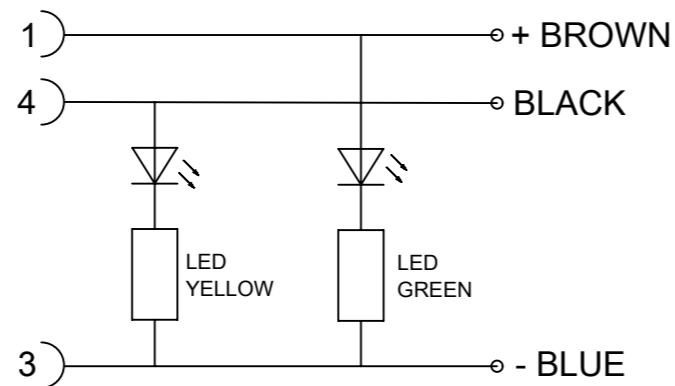


# FEMALE PLUG M12 STRAIGHT PNP LED / MALE PLUG M12 STRAIGHT



## PNP WIRING



## BILL OF MATERIALS

ITEM	QTY.	DESCRIPTION	MATERIAL	FINISH
12	-	OVERMOULDING BLACK	TPU	---
11	1	COUPLING NUT MALE	BRASS	NICKEL
10	1	INSERT MALE BLACK	PUR	---
9	3	CONTACT M12 MALE	BRASS	SELECTIVE GOLD OVER NICKEL
8	1	PCB PNP	---	---
7	1	LABEL YELLOW	VINYL	---
6	-	CABLE	SEE SHEET 2	---
5	-	OVERMOULDING TRANSPARENT	TPU	---
4	1	COUPLING NUT FEMALE	BRASS	NICKEL
3	1	INSERT FEMALE BLACK	PUR	---
2	1	ORING RED	FPM	---
1	3	CONTACT M12 FEMALE	BRASS	SELECTIVE GOLD OVER NICKEL

## CONTACT POSITION FRONT VIEW:

3 POLES FEMALE		3 POLES MALE	
PIN	WIRE	PIN	WIRE
1	BROWN	1	BROWN
2	-	2	-
3	BLUE	3	BLUE
4	BLACK	4	BLACK
5	-	5	-

CODING REQUIRED TO IEC 61076-2-101

<b>QUALITY SYMBOLS</b> FA = 0 FE = 0 FF = 0 GV = 0 CH = 0 X = 0 BK = 0 VC = 0	THIS DRAWING CONTAINS INFORMATION THAT IS PROPRIETARY TO MOLEX ELECTRONIC TECHNOLOGIES, LLC AND SHOULD NOT BE USED WITHOUT WRITTEN PERMISSION		DIMENSION UNITS: mm SCALE: 2:1		  CSE M12 PNP 3P AC FE STR WSOR MA STR XM
	GENERAL TOLERANCES (UNLESS SPECIFIED) ANGULAR TOL ± 1.0 °		DRWN BY: APAWLAK01 DATE: 2016/05/16		
	4 PLACES ± 3 PLACES ± 2 PLACES ± 0.05 1 PLACE ± 0.1 0 PLACES ± 0.2		CHK'D BY: MIWASIECZKO DATE: 2016/05/20		
	DRAFT WHERE APPLICABLE MUST REMAIN WITHIN DIMENSIONS		APPR BY: MIWASIECZKO DATE: 2016/05/20		
EC NO: 105100 DRWN: APAWLAK01 CHK'D: MIWASIECZKO APPR: MIWASIECZKO		DRAWING SIZE: A3 THIRD ANGLE PROJECTION		PRODUCT CUSTOMER DRAWING	
A		SERIES: 120067 MATERIAL NUMBER: SEE SHEET 2 CUSTOMER: GENERAL MARKET		DOCUMENT NUMBER: 1200678472 DOC TYPE: PSD DOC PART: 000 SHEET NUMBER: 1 OF 2	

ENGINEERING NO. - NUMERICAL CODE (Available parts see PART LIST table. Others on request).

8 8 3 0 P 6 B 3 0 X X X X

88 = M12x1  
Double ended

Poles:  
3 = 3 Poles

Heads style:  
0P0 = Female Straight  
PNP LED / Male Straight

Cable:  
B30 = 0.34mm<sup>2</sup> TPU Black

Units:  
M = Meter

Length  
Examples:  
005 = 0.5 m  
010 = 1 m  
020 = 2 m  
050 = 5 m  
100 = 10 m  
150 = 15 m  
200 = 20 m

CABLE TYPE	NO. OF WIRES	CROSS SECTION	CABLE JACKET	UL	CSA	STATIC: TEMP. / BENDING RADIUS	DYNAMIC: TEMP. / BENDING RADIUS	DRAG CHAIN	SHIELD
B30	3	0.34mm <sup>2</sup>	TPU BLACK	UL STYLE 21215	YES	-40°C to +90°C, 5xD	-25°C to +80°C, 7.5xD	-	-

CABLE LENGTH TOLERANCES		
LENGTH	TOLERANCE	
shorter 1m	+40 mm	-0 mm
1m-5m	+60 mm	-0 mm
5m-10m	+80 mm	-0 mm
10m-20m	+140 mm	-0 mm
20m-30m	+160 mm	-0 mm
longer 30m	+1%	-0 mm

PART LIST

MOLEX PN	ENGINEERING PN	CABLE LENGTH IN METER
1200678472	8830P6B30M010	1m
1200678473	8830P6B30M020	2m
1200678474	8830P6B30M030	3m
1200678475	8830P6B30M050	5m
1200678476	8830P6B30M100	10m

<b>QUALITY SYMBOLS</b> ▽A = 0 ▽E = 0 ▽F = 0 ▽ = 0 ▽C = 0 ▽X = 0 ▽ = 0 ▽ = 0	THIS DRAWING CONTAINS INFORMATION THAT IS PROPRIETARY TO MOLEX ELECTRONIC TECHNOLOGIES, LLC AND SHOULD NOT BE USED WITHOUT WRITTEN PERMISSION										
	EC NO: 105100 DRWN: APAWLAK01 CHK'D: MIWASIECZKO REV APPR: MIWASIECZKO	2016/05/16		2016/05/20		2016/05/20		GENERAL TOLERANCES (UNLESS SPECIFIED)		DIMENSION UNITS	SCALE
		ANGULAR TOL ± 1.0 °		4 PLACES ±		3 PLACES ±		2 PLACES ± 0.05		mm	1:1
		1 PLACE ± 0.1		0 PLACES ± 0.2		APPR BY		DATE		DRWN BY	DATE
		DRAFT WHERE APPLICABLE MUST REMAIN WITHIN DIMENSIONS		A3		MIWASIECZKO		2016/05/20		APAWLAK01	2016/05/16
				THIRD ANGLE PROJECTION		CHK'D BY		DATE			
	<b>molex®</b>										
	CSE M12 PNP 3P AC FE STR WSOR MA STR XM										
	PRODUCT CUSTOMER DRAWING										
SERIES		MATERIAL NUMBER			CUSTOMER						
120067		SEE TABLE			GENERAL MARKET						
DOCUMENT NUMBER				DOC TYPE		DOC PART		SHEET NUMBER			
1200678472				PSD		000		2 OF 2			