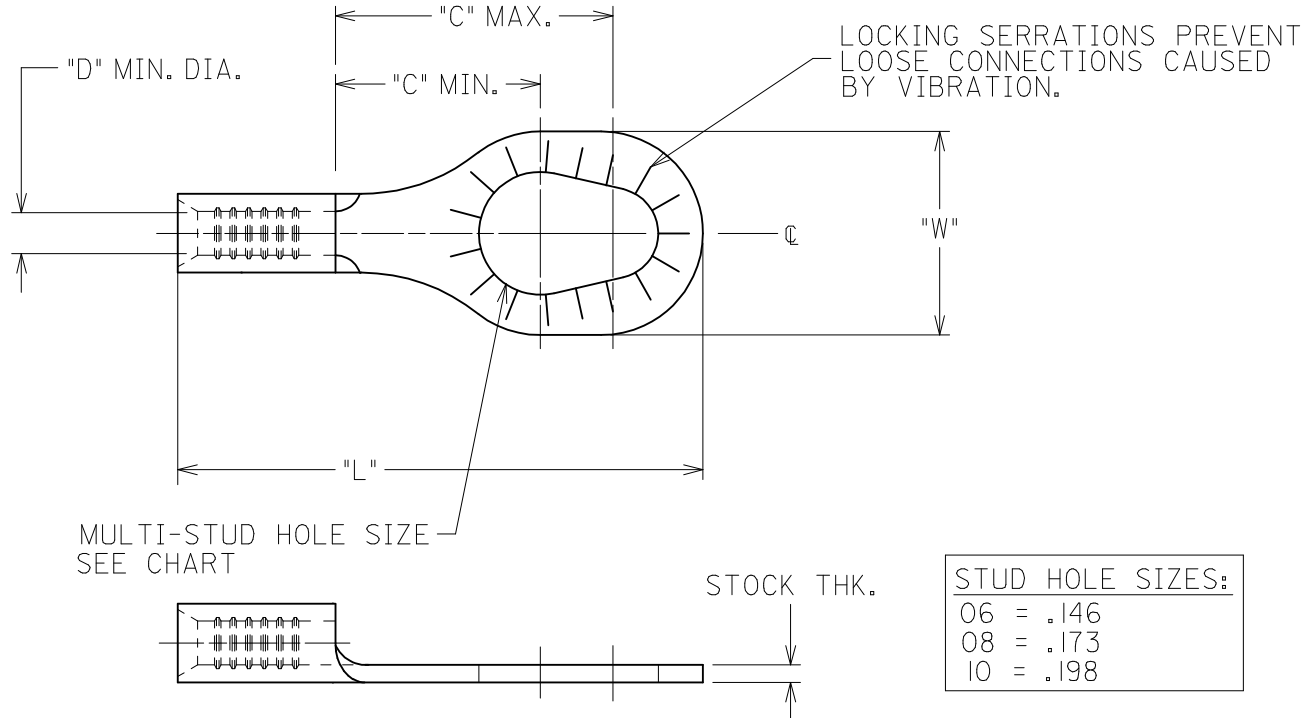


10		9		8		7		6		5		4		3		2	
LOOSE PIECE				TAPE MOUNTED				WIRE RANGE (AWG)	"L" MAX.	"W" MAX.	"C" MIN.	"C" MAX.	"D" MIN.	STUD SIZE RANGE FOR EA. PART No.	STOCK THICKNESS		
MATERIAL NUMBER	ENG NUMBER	MATERIAL NUMBER	ENG NUMBER														
190790004	A-1006-MS	190790005	A-1006-MST	22-18	.866	.348	.330	.447	.062	6, 8, 10	.028						
190790007	B-1006-MS	190790009	B-1006-MST	16-14	.866	.362	.330	.447	.081	6, 8, 10	.031						
190790011	C-1006-MS	190790012	C-1006-MST	12-10	.890	.410	.330	.447	.128	6, 8, 10	.040						

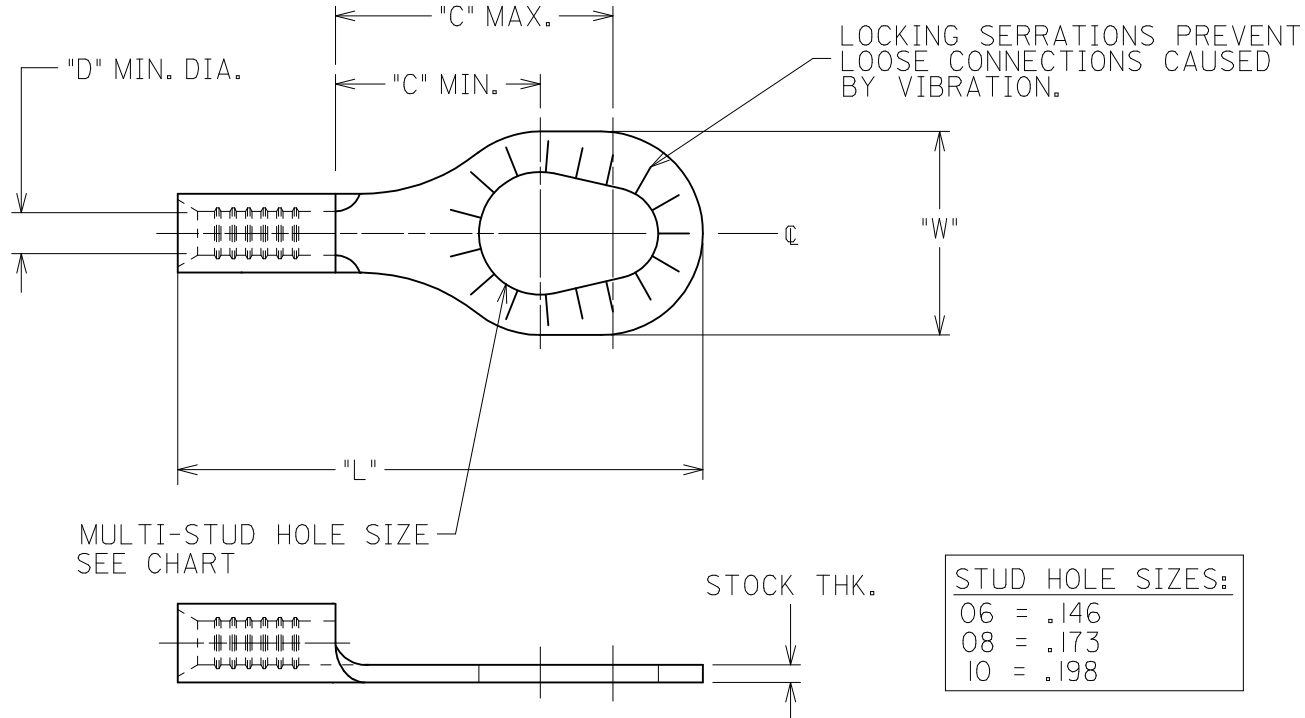


- NOTES:
1. MATERIAL: COPPER
  2. PLATING: TIN
  3. PART IS RoHS COMPLIANT.

REDRAWN/RELEASED EC NO: IFC2017-0590 DRAWING: G0JAS01 2016/12/14 CHKD: JMACNEIL 2016/12/14 APPR: JMACNEIL 2016/12/16	DESCRIPTION A	QUALITY SYMBOLS	GENERAL TOLERANCES (UNLESS SPECIFIED)	DIMENSION STYLE INCH ONLY		SCALE ---	DESIGN UNITS INCH	THIRD ANGLE PROJECTION		
		▽=0	mm INCH	DRAWN BY EMF	DATE 1993/08/09	TITLE KRIMPTITE, MULTI-STUD RING TONGUE TERMINAL				
		▽=0	4 PLACES ± --- ± --- 3 PLACES ± --- ± --- 2 PLACES ± --- ± --- 1 PLACE ± --- ± --- 0 PLACE ± ±	CHECKED BY JMACNEIL	DATE 2016/12/14					
				ANGULAR ± --- ° DRAFT WHERE APPLICABLE MUST REMAIN WITHIN DIMENSIONS	APPROVED BY DATE 2016/12/16	MATERIAL NO. SEE CHART	DOCUMENT NO. SD-19079-001	SHEET NO. 1 OF 1		

THIS DRAWING CONTAINS INFORMATION THAT IS PROPRIETARY TO MOLEX INCORPORATED AND SHOULD NOT BE USED WITHOUT WRITTEN PERMISSION

10		9		8		7		6		5		4		3		2	
LOOSE PIECE				TAPE MOUNTED				WIRE RANGE (AWG)	"L" MAX.	"W" MAX.	"C" MIN.	"C" MAX.	"D" MIN.	STUD SIZE RANGE FOR EA. PART No.	STOCK THICKNESS		
MATERIAL NUMBER	ENG NUMBER	MATERIAL NUMBER	ENG NUMBER														
190790004	A-1006-MS	190790005	A-1006-MST	22-18	.866	.348	.330	.447	.062	6, 8, 10	.028						
190790007	B-1006-MS	190790009	B-1006-MST	16-14	.866	.362	.330	.447	.081	6, 8, 10	.031						
190790011	C-1006-MS	190790012	C-1006-MST	12-10	.890	.410	.330	.447	.128	6, 8, 10	.040						



- NOTES:
1. MATERIAL: COPPER
  2. PLATING: TIN
  3. PART IS RoHS COMPLIANT.

REDRAWN/RELEASED EC NO: IFC2017-0590 DRAWING: G0JAS01 2016/12/14 CHKD: JMACNEIL 2016/12/14 APPR: JMACNEIL 2016/12/16	DESCRIPTION A	QUALITY SYMBOLS	GENERAL TOLERANCES (UNLESS SPECIFIED)	DIMENSION STYLE INCH ONLY		SCALE ---	DESIGN UNITS INCH	THIRD ANGLE PROJECTION	
		▼=0 ▽=0	mm      INCH 4 PLACES ± --- ± --- 3 PLACES ± --- ± --- 2 PLACES ± --- ± --- 1 PLACE ± --- ± --- 0 PLACE ±      ±	DRAWN BY: EMF      DATE: 1993/08/09 CHECKED BY: JMACNEIL      DATE: 2016/12/14 APPROVED BY:      DATE: 2016/12/16	TITLE KRIMPTITE, MULTI-STUD RING TONGUE TERMINAL				
		ANGULAR ± --- ° DRAFT WHERE APPLICABLE MUST REMAIN WITHIN DIMENSIONS	MATERIAL NO.      DOCUMENT NO. SD-19079-001 SEE CHART	SHEET NO. 1 OF 1					
		THIS DRAWING CONTAINS INFORMATION THAT IS PROPRIETARY TO MOLEX INCORPORATED AND SHOULD NOT BE USED WITHOUT WRITTEN PERMISSION							