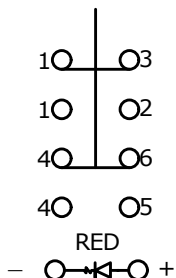
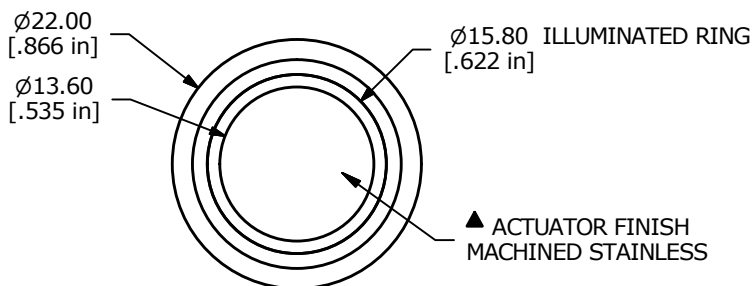
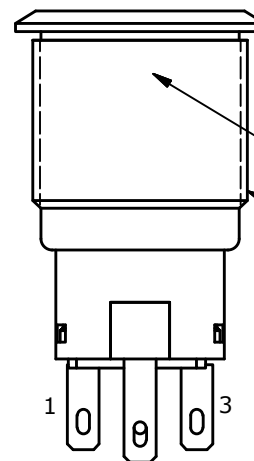
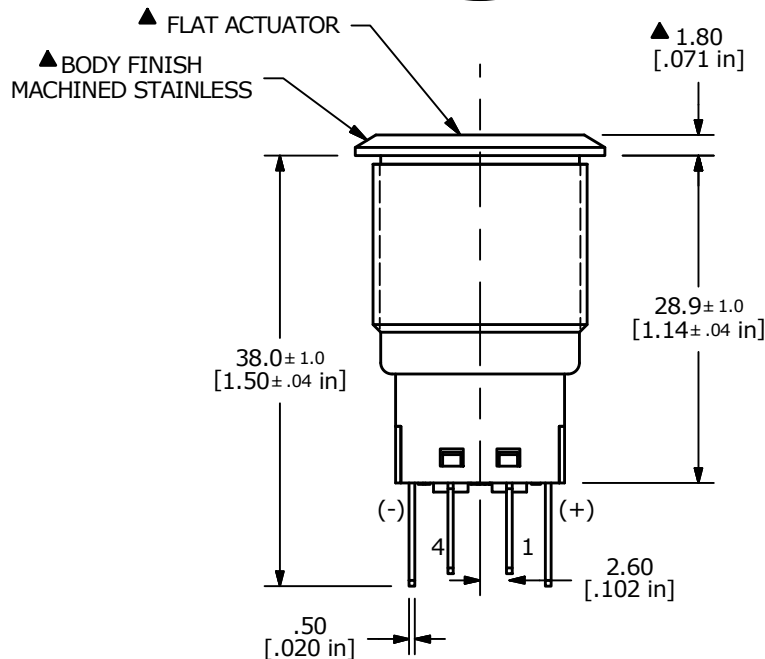


PANEL CUTOUT
MAX. PANEL THICKNESS
11.0mm [.433]

SWITCH FUNCTION	
POS. 1	POS. 2
ON	ON
1-3, 4-6	1-2, 4-5

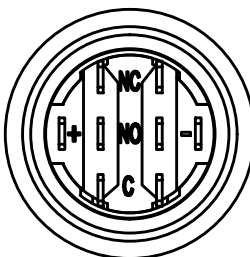


▲ DPDT
CONTACT CONFIGURATION



▲ NOTE 15
HARDWARE SUPPLIED
M19x1.0

- NOTE:
- ALL DIMENSIONS IN mm [INCH]
 - GENERAL TOLERANCE: X.X±0.4
X.XX±0.25
 - TERMINAL NUMBERS FOR REF ONLY
 - CONTACT MATERIAL: SILVER
 - RATING: 2A 24VDC
 - ELECTRIC LIFE: 50,000 MAKE-AND-BREAK CYCLES AT FULL LOAD.
 - INSULATION RESISTANCE: 1,000 MΩ MIN.
 - DIELECTRIC STRENGTH: 2,000 VAC MIN. FOR 1 MINUTE
 - CONTACT RESISTANCE: 50mΩ MAX. @ 1A 12VDC
 - OPERATING TEMP.: -20°C to 55°C
 - TRAVEL: 2.8mm
 - ▲ DENOTES CRITICAL PARAMETER.
 - LAMP VOLTAGE: 20mA 1.8V
 - INGRESS PROTECTION: IP65
 - HARDWARE SUPPLIED: O-RING AND HEXNUT
 - ILLUMINATION COLOR: RED



REV	PCR NO	DESCRIPTION	DATE	BY
C	23605	UPDATED RATING TO 2A @ 24VDC	10/11/15	MJR
B	21615	Inluded 1.8v R on part	10/14/14	AS

TITLE PV4F2G0SS-311				
SCALE NONE	DATE 6/14/2012	DR BGL	DWG 52-PV4F2G0SS311	REV C

THE INFORMATION CONTAINED IN THIS DOCUMENT IS PROPRIETARY TO E-SWITCH AND IS NOT TO BE COPIED OR TRANSFERRED