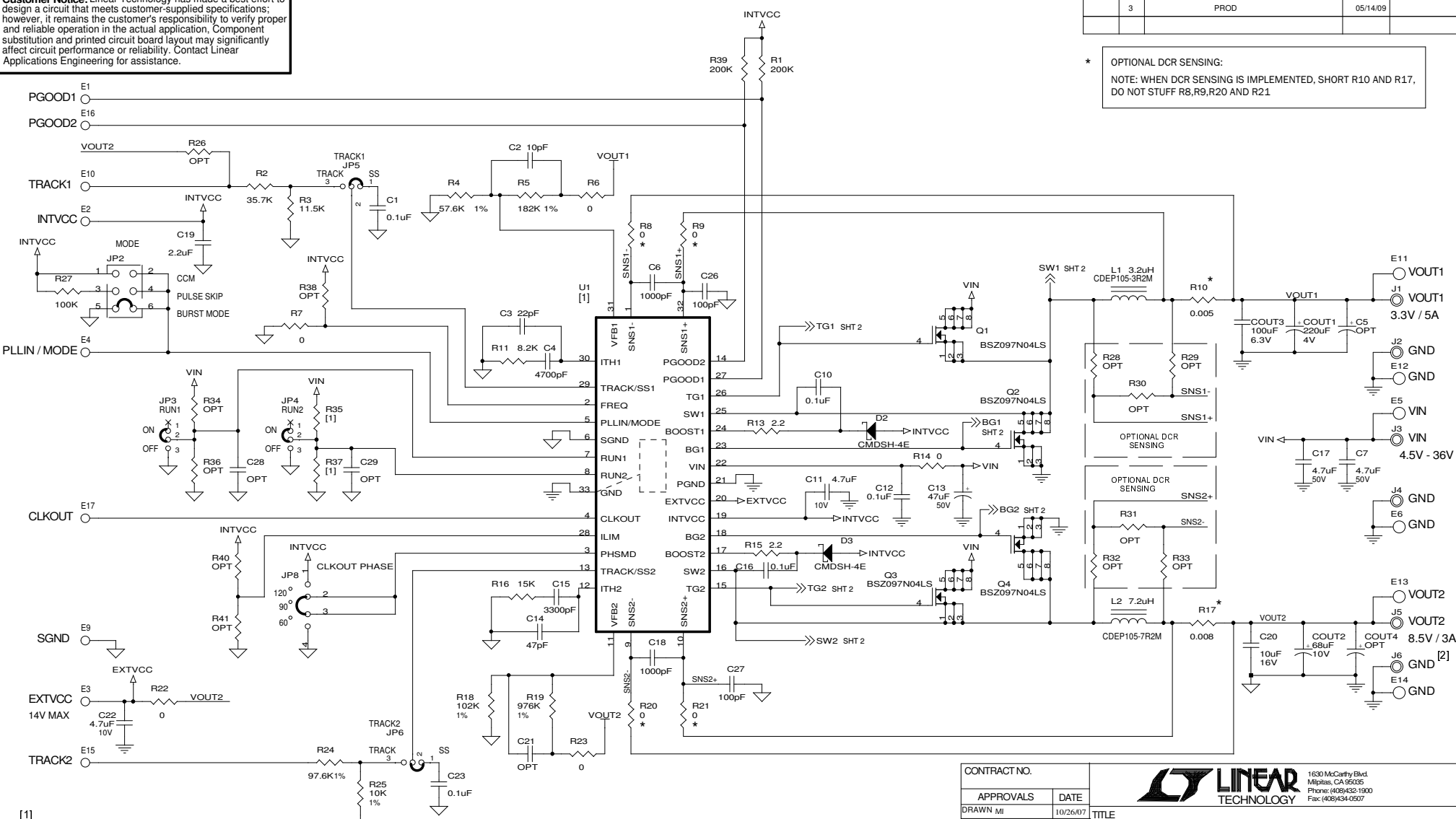


This circuit is proprietary to Linear Technology and supplied for use with Linear Technology parts.  
**Customer Notice:** Linear Technology has made a best effort to design a circuit that meets customer-supplied specifications; however, it remains the customer's responsibility to verify proper and reliable operation in the actual application. Component substitution and printed circuit board layout may significantly affect circuit performance or reliability. Contact Linear Applications Engineering for assistance.

REVISION HISTORY				
ECO	REV	DESCRIPTION	DATE	APPROVED
	3	PROD	05/14/09	

\* OPTIONAL DCR SENSING:  
 NOTE: WHEN DCR SENSING IS IMPLEMENTED, SHORT R10 AND R17, DO NOT STUFF R8,R9,R20 AND R21



[1]

ASSY	U1	R35	R37
-A	LTC3857EUH	OPT	OPT
-B	LTC3858EUH	66.5K	12.7K

[2] FOR REGULATION VIN > 9V

APPROVALS		DATE
DRAWN	Mi	10/26/07
CHECKED		
APPROVED		
ENGINEER		
DESIGNER		

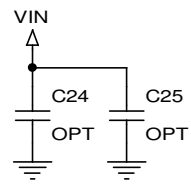
1630 McCarthy Blvd.  
 Milpitas, CA 95035  
 Phone: (408)532-1000  
 Fax: (408)434-0507

<b>SCH, LTC3857EUH / LTC3858EUH, LOW QUIESCENT CURRENT DUAL OUTPUT SYNCHRONOUS BUCK CONVERTER</b>			
SIZE	CAGE CODE	DWG NO	REV [2]
		DC1381A	3
SCALE: NONE	FILENAME: 1381A-3.DSN	SHEET 1	OF 2

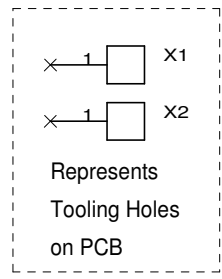
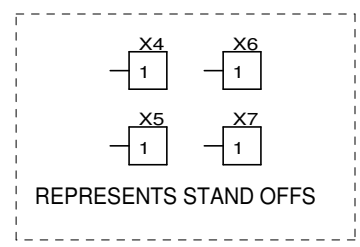
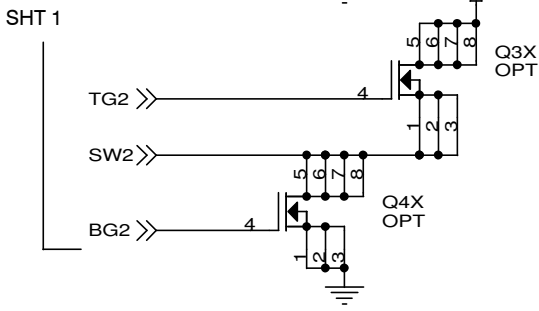
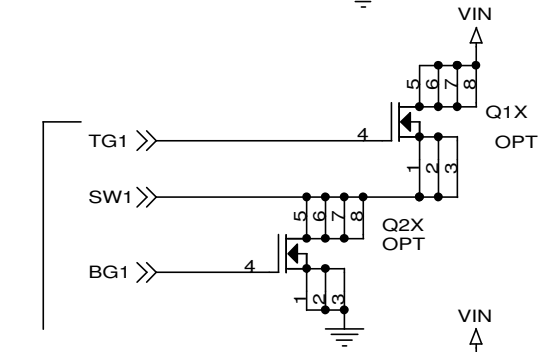
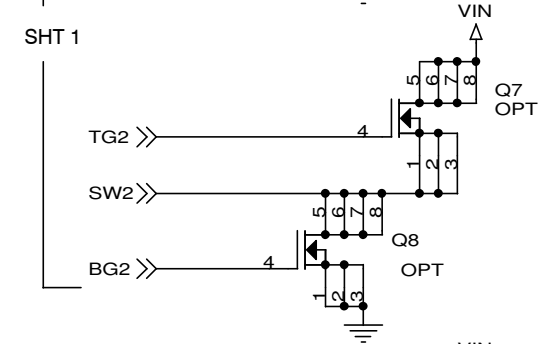
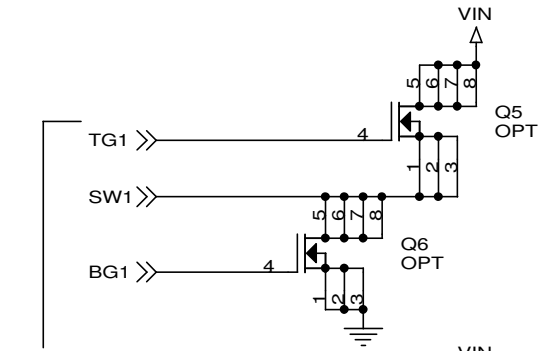
Friday, August 21, 2009


This circuit is proprietary to Linear Technology and supplied for use with Linear Technology parts.

**Customer Notice:** Linear Technology has made a best effort to design a circuit that meets customer-supplied specifications; however, it remains the customer's responsibility to verify proper and reliable operation in the actual application. Component substitution and printed circuit board layout may significantly affect circuit performance or reliability. Contact Linear Applications Engineering for assistance.



REVISION HISTORY				
ECO	REV	DESCRIPTION	DATE	APPROVED
	3	PROD	05/14/09	



CONTRACT NO.		 1630 McCarthy Blvd. Milpitas, CA 95035 Phone: (408)432-1900 Fax: (408)434-0507			
APPROVALS	DATE				
DRAWN MI	10/26/07	<b>TITLE</b> SCH, LTC3857EUH / LTC3858EUH, LOW QUIESCENT CURRENT DUAL OUTPUT SYNCHRONOUS BUCK CONVERTER			
CHECKED					
APPROVED					
ENGINEER					
DESIGNER		SIZE	CAGE CODE	DWG NO	REV
				DC1381A	3
Friday, August 21, 2009		SCALE: NONE	FILENAME: 1381A-3.DSN	SHEET	2 OF 2