

REVISIONS

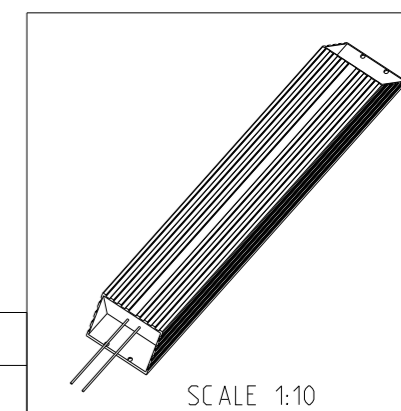
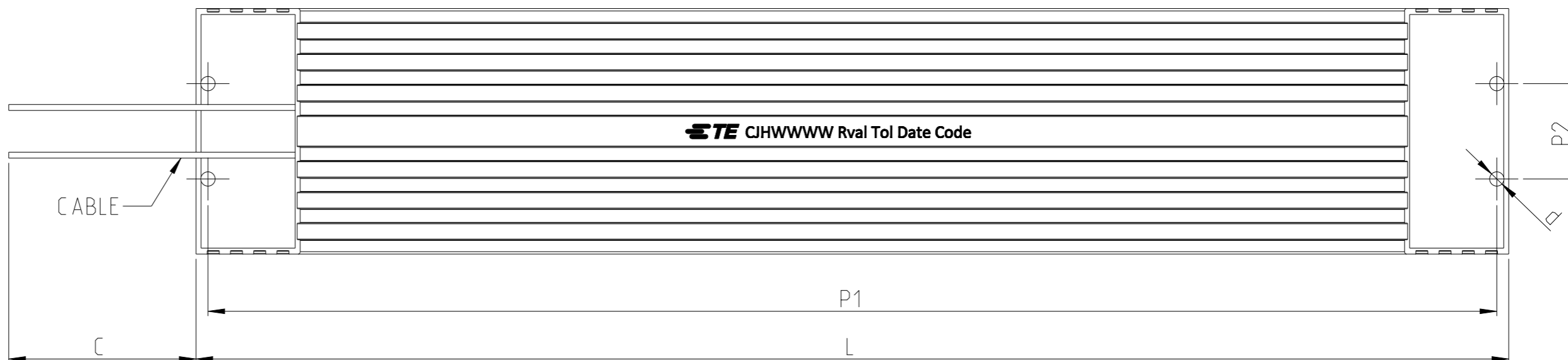
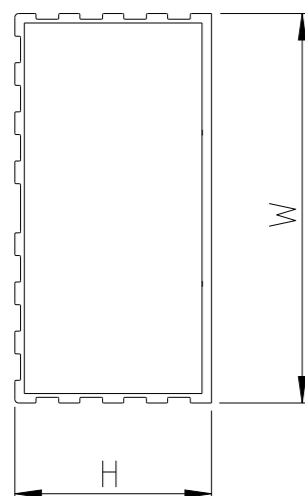
NOTE:

- 1 MOUNTING: 4 x HOLES Ø6mm
- 2 TERMINATION CABLES: UL APPROVED FEP CABLES FOR THE TERMINATIONS, BASED ON THE RESISTOR CURRENT RATING (SEE CHART BELOW) WITH E5 RING TERMINALS

CURRENT RATING	CABLE SIZE USED
≤15A	16 AWG
>15A & ≤25A	14 AWG
>25A & ≤35A	12 AWG

3 FOR FURTHER INFORMATION SEE DATA SHEET FOR CJH SERIES OF ALUMINIUM HOUSED RESISTOR

P	LTR	DESCRIPTION	DATE	DWN	APVD
	A	INITIAL DRAWING RELEASE	26MAY2022	KS	AP



PART NUMBER	L ±1	W ±1	H ±1	C ±1	P1 ±0.5	P2 ±0.5
CJH5000	550	103	52	290	540	40

THIS DRAWING IS A CONTROLLED DOCUMENT.

DWN	KARTHIK S	26MAY2022
CHK	ALLAN P	26MAY2022
APVD	ALLAN P	26MAY2022



DIMENSIONS:	TOLERANCES UNLESS OTHERWISE SPECIFIED:
mm	
	0 PLC ±-
	1 PLC ±0.5
	2 PLC ±0.13
	3 PLC ±0.013
	4 PLC ±0.0001
	ANGLES ±
MATERIAL	FINISH
-	-
-	-

NAME		ALUMINIUM ENCLOSED RESISTOR CJH5000 SERIES	
PRODUCT SPEC	-	APPLICATION SPEC	-
WEIGHT	-	SIZE	A3
		CAGE CODE	00779
		DRAWING NO	C=2176519
		RESTRICTED TO	-
CUSTOMER DRAWING		SCALE	1:2
		SHEET	1 OF 2
		REV	A

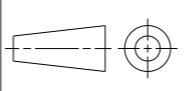
REVISIONS

P	LTR	DESCRIPTION	DATE	DWN	APVD
-		SEE SHEET 1	-	-	-

SCHEDULE


TCPN	PRODUCT NUMBER	MATERIAL DESCRIPTION	PART STATUS
2176519-1	C JH5000J22RJ	C JH 5000W 22R 5% LEAD	PRODUCTION
2176519-2	C JH5000J27RJ	C JH 5000W 27R 5% LEAD	PRODUCTION
2176519-3	C JH5000J33RJ	C JH 5000W 33R 5% LEAD	PRODUCTION
2176519-4	C JH5000J39RJ	C JH 5000W 39R 5% LEAD	PRODUCTION
2176519-5	C JH5000J47RJ	C JH 5000W 47R 5% LEAD	PRODUCTION
2176519-6	C JH5000J56RJ	C JH 5000W 56R 5% LEAD	PRODUCTION
2176519-7	C JH5000J68RJ	C JH 5000W 68R 5% LEAD	PRODUCTION
2176519-8	C JH5000J82RJ	C JH 5000W 82R 5% LEAD	PRODUCTION
2176519-9	C JH5000J100RJ	C JH 5000W 100R 5% LEAD	PRODUCTION
1-2176519-0	C JH5000J120RJ	C JH 5000W 120R 5% LEAD	PRODUCTION
1-2176519-1	C JH5000J150RJ	C JH 5000W 150R 5% LEAD	PRODUCTION
1-2176519-2	C JH5000J180RJ	C JH 5000W 180R 5% LEAD	PRODUCTION
1-2176519-3	C JH5000J220RJ	C JH 5000W 220R 5% LEAD	PRODUCTION
1-2176519-4	C JH5000J270RJ	C JH 5000W 270R 5% LEAD	PRODUCTION
1-2176519-5	C JH5000J330RJ	C JH 5000W 330R 5% LEAD	PRODUCTION
1-2176519-6	C JH5000J390RJ	C JH 5000W 390R 5% LEAD	PRODUCTION
1-2176519-7	C JH5000J470RJ	C JH 5000W 470R 5% LEAD	PRODUCTION
1-2176519-8	C JH5000J560RJ	C JH 5000W 560R 5% LEAD	PRODUCTION
1-2176519-9	C JH5000J680RJ	C JH 5000W 680R 5% LEAD	PRODUCTION
2-2176519-0	C JH5000J820RJ	C JH 5000W 820R 5% LEAD	PRODUCTION
2-2176519-1	C JH5000J1K0J	C JH 5000W 1K0 5% LEAD	PRODUCTION
2-2176519-2	C JH5000J1K2J	C JH 5000W 1K2 5% LEAD	PRODUCTION
2-2176519-3	C JH5000J1K5J	C JH 5000W 1K5 5% LEAD	PRODUCTION
2-2176519-4	C JH5000J1K8J	C JH 5000W 1K8 5% LEAD	PRODUCTION
2-2176519-5	C JH5000J2K2J	C JH 5000W 2K2 5% LEAD	PRODUCTION

THIS DRAWING IS A CONTROLLED DOCUMENT.

DIMENSIONS: mm	
	
MATERIAL -	

TOLERANCES UNLESS OTHERWISE SPECIFIED:	
0 PLC	±
1 PLC	±0.5
2 PLC	±0.13
3 PLC	±0.013
4 PLC	±0.0001
ANGLES	±
FINISH -	

DWN	KARTHIK S	26MAY2022
CHK	ALLAN P	26MAY2022
APVD	ALLAN P	26MAY2022
PRODUCT SPEC	-	-
APPLICATION SPEC	-	-
WEIGHT	-	-
CUSTOMER DRAWING		

		TE Connectivity	
		NAME ALUMINIUM ENCLOSED RESISTOR C JH5000 SERIES	
SIZE	CAGE CODE	DRAWING NO	RESTRICTED TO
A3	00779	©=2176519	-
SCALE		SHEET	REV
1:1		2 OF 2	A