

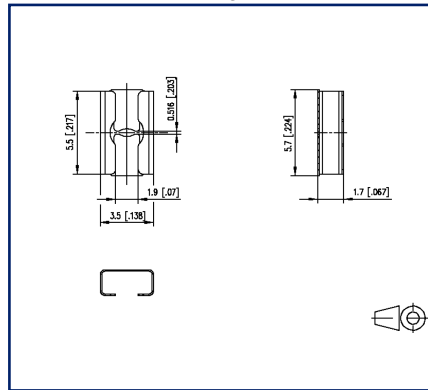
Data sheet

SM01Y01VXNN03G1 7-inch Reel solder pad/component side

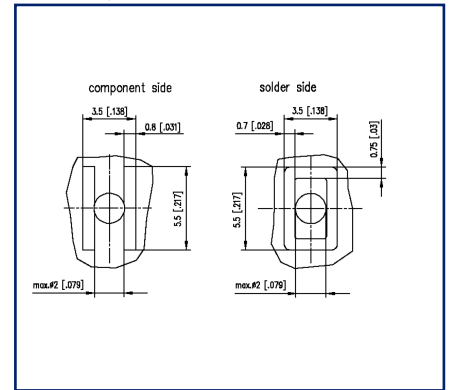
Illustrations



Dimensional drawing



PCB-Layout



See enlarged drawings at the end of document

Product specification

- spring clamp terminal block, SMT solderable
- one-way contact
- direction of connection vertical 0°
- Tape & Reel packaging

Technical Data

General Data

min. number of poles	1
max. number of poles	1
Protection category	IP00
Min. insul. strip length	4 mm
Rated current	13 A

Terminal data

rat.wiring solid AWGmax	0.75 mm ² - 1.5 mm ² / AWG 18 - AWG 16
-------------------------	--

Material

contact material	CuBe
Contact surface	Ni + Sn
REACH	compliant
REACH - substance (SVHC)	none

Climatic Data

upper limit temperature	150 °C
lower limit temperature	-40 °C

general

Tolerance	ISO 2768 -mH
Solderability	Acc. to IPC/JEDEC J-STD-020D-MSL 1

Sicherheitshinweis

Safety instructions	Components have to be fixed in a way to prevent any transmission of forces on to the contact. Components with more than one pin are recommended.
---------------------	--

U | Contact

Data sheet

Page 3/5

SM01Y01VXNN03G1 7-inch Reel solder pad/component side

P/N
ASM01Y0164-3G16

2022/12/20
Version: S

Counterpart

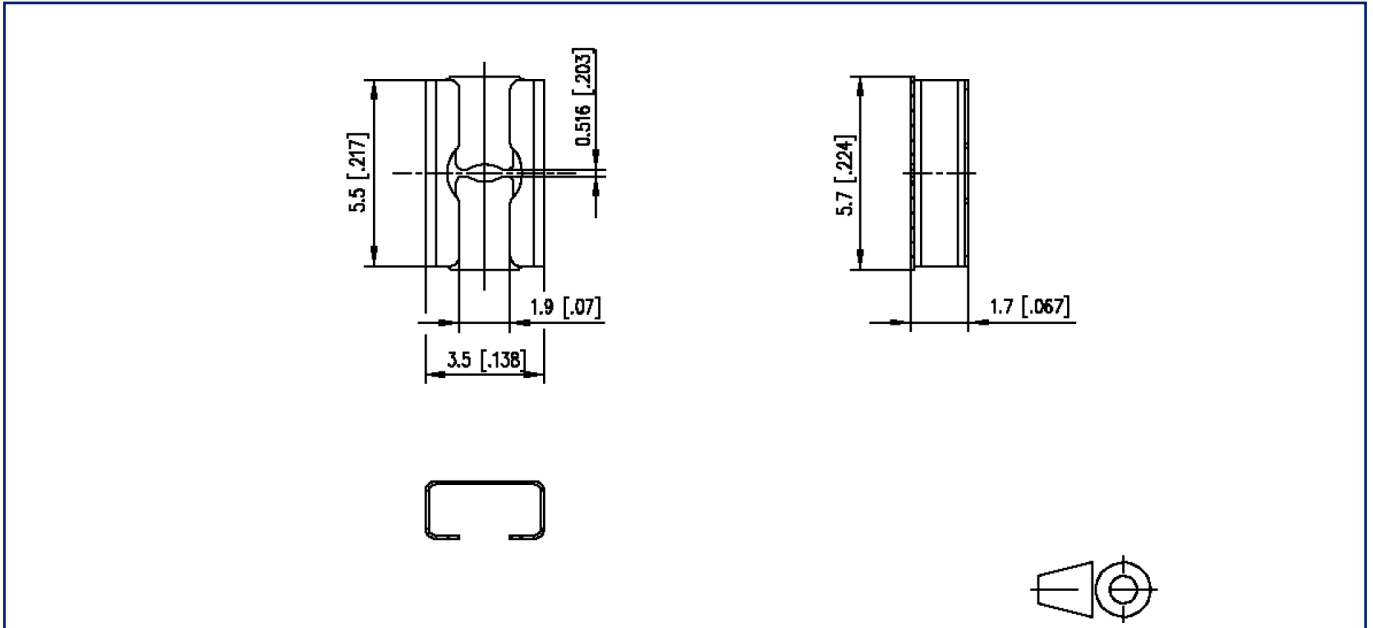
P/N	Designation
709023	Tape_ASM01Y_16mm K03547 Tape_ASM01Y_16mm

© 2022 METZ CONNECT - Technische Änderungen vorbehalten! Subject to modifications! Sous réserve de modifications techniques!

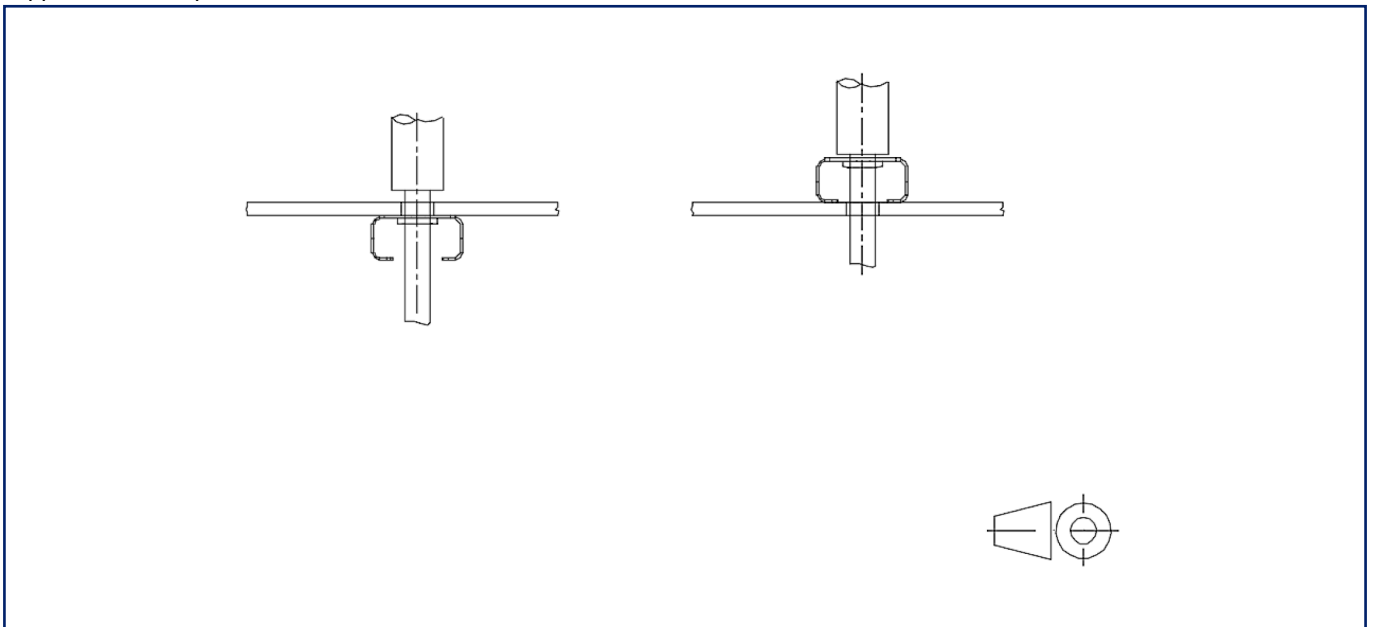


Illustrations

Dimensional drawing



Application example



Illustrations

PCB-Layout

