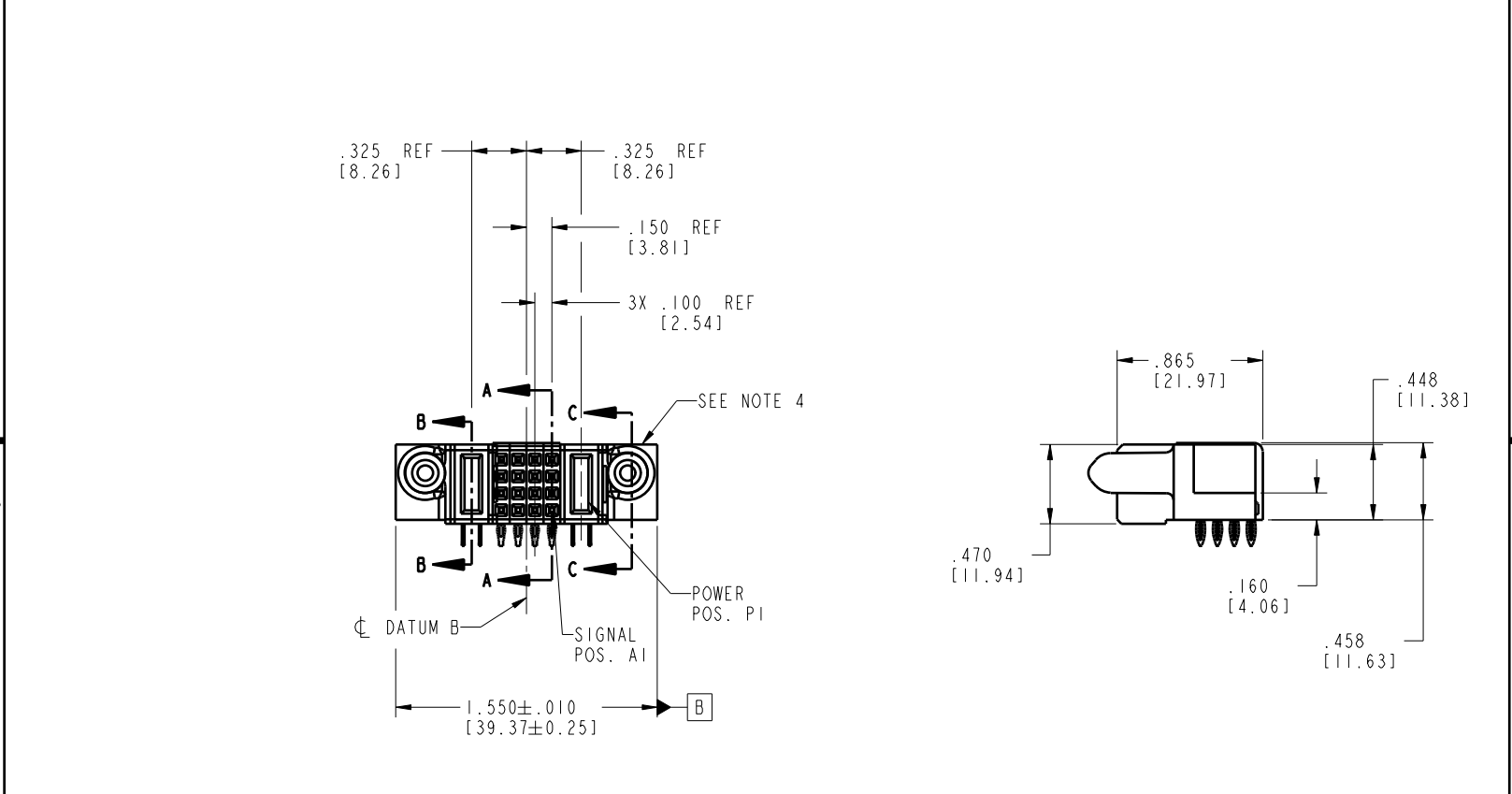
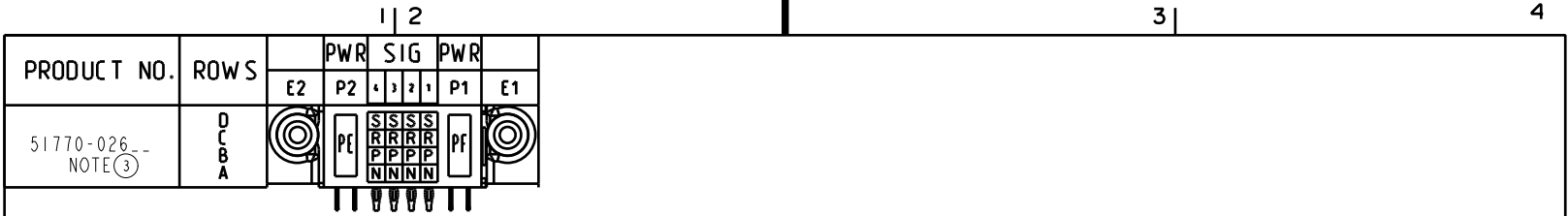


Tous droits strictement réservés. Reproduction ou communication o des liers interdite sous quelque forme que ce soit sans autorisation écrite du propriétaire. Propriété de c FCI. Droits de reproduction FCI.

All rights strictly reserved. Reproduction or issue to third parties in any form without written authority from the proprietor. Property of FCI. Copyright FCI.



CODE	DIM "M" MATING LENGTH	CONTACT TYPE
PE	.042 [1.07]	POWER
PF	.092 [2.34]	POWER
S	N/A [N/A]	SIGNAL
R	N/A [N/A]	SIGNAL
P	N/A [N/A]	SIGNAL
N	N/A [N/A]	SIGNAL

mat'l code				tolerances unless otherwise specified		CUSTOMER	
SEE NOTE 2						COPY	
lir	ecn no.	dr	date	linear	projection	title IP + 16S + 1P	
A	DG06-0067	RYAN	02/23/06	.XX±.01/0.X±0.3		R/A PRESS FIT RECEPTACLE	
				.XXX±.005/0.XX±0.13		product family PwrBlade	code 213
				.XXX±.0020/0.XXX±0.051		size A	sheet 1 of 4
				angles 0°±2°	INCH/MM	product family PwrBlade code 213	
				dr RYAN YUAN 02/23/06	scale 1:1	size A 51770-026	
				engr SALLY LUO 02/23/06		code 22526	
				chr BEER FU 02/23/06			
				opod JOSEPH HSIA 02/23/06			
sheet index	revision	A	A	A	A		
	sheet	1	2	3	4		

A FCI

B

A

B

1 | 2

Pro/E

3 |

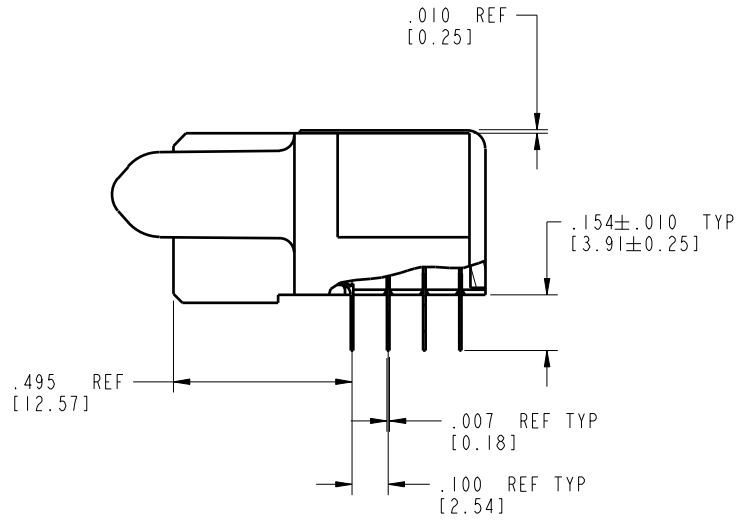
code code 22526

4

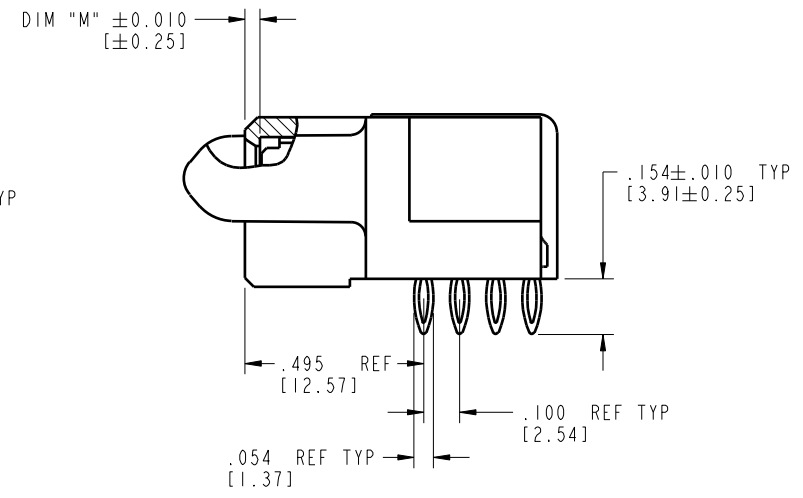
Tous droits strictement réservés. Reproduction ou communication à des tiers interdite sous quelque forme que ce soit sans autorisation écrite du propriétaire. Propriété de c FCI. Droits de reproduction FCI.

All rights strictly reserved. Reproduction or issue to third parties in any form whatsoever is not permitted without written authority from the proprietor. Property of FCI. Copyright FCI.

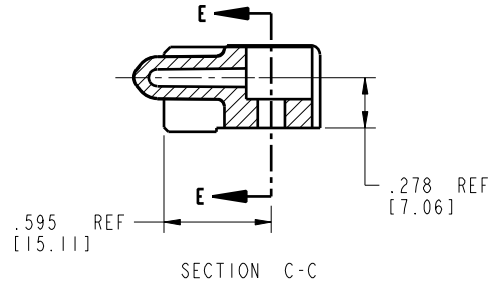
PRODUCT NUMBER
51770-026--
NOTE ③



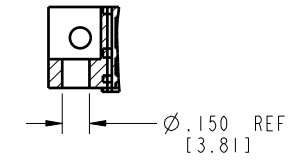
BROKEN-OUT SECTION A-A
SCALE 2:1



BROKEN-OUT SECTION B-B
SCALE 2:1



SECTION C-C



PARTIAL SECTION E-E

mat'l code				SEE NOTE 2	tolerances unless otherwise specified		CUSTOMER		 www.fciconnect.com
lir	ecm no.	dr	date	linear	.XX±.01/0.X±0.3	COPY		projection	
A				angles	.XXX±.005/0.XX±0.13	INCH/MM		title	
				dr	.XXX±.002/0.XXX±0.051	scale		R/A PRESS FIT RECEPTACLE	
				engr	0°±2°	1:1		product family	
				chr	RYAN YUAN 02/23/06			PwrBlade	
				appd	SALLY LUO 02/23/06			code	
					BEER FU 02/23/06			213	
					JOSEPH HSIA 02/23/06			sheet	
sheet index	revision							2 of 4	
	sheet								

code code 22526

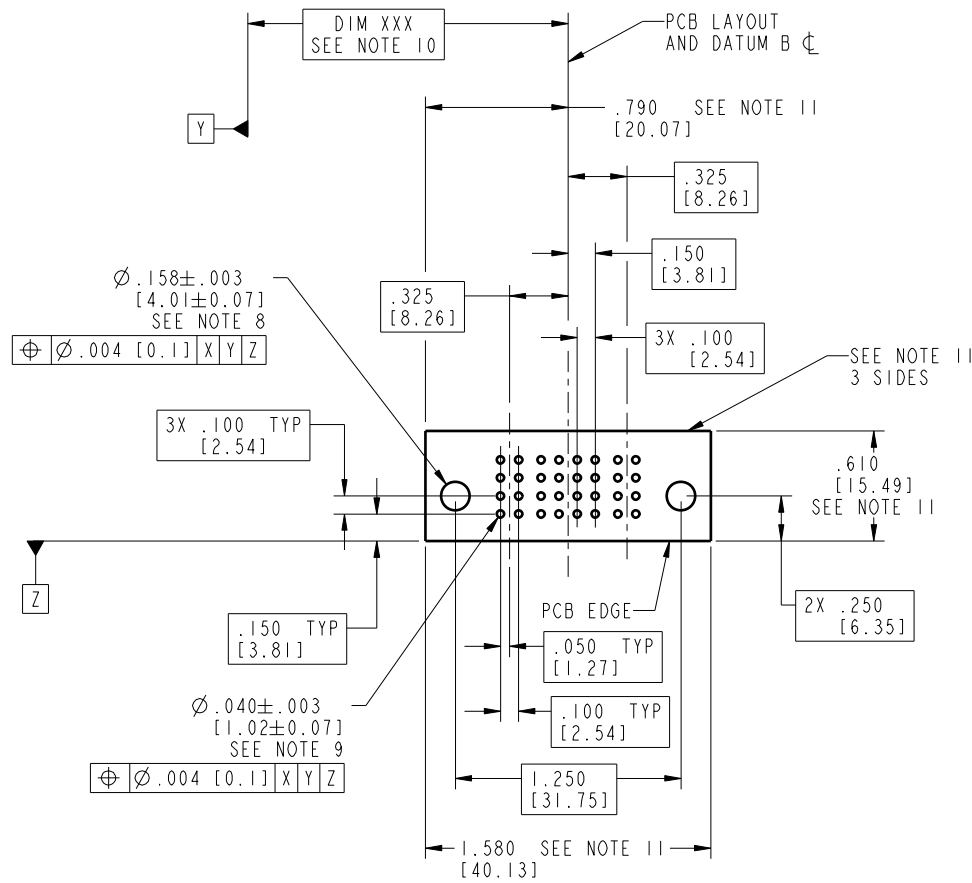
Pro/E

Tous droits strictement réservés. Reproduction ou communication o des liers interdite sous quelque forme que ce soit sans autorisation écrite du propriétaire. Propriété de c FCI. Droits de reproduction FCI.

All rights strictly reserved. Reproduction or issue to third parties in any form whatsoever is not permitted without written authority from the proprietor. Property of FCI. Copyright FCI.



PRODUCT NUMBER
51770-026--
NOTE ③



mat'l code		SEE NOTE 2		tolerances unless otherwise specified		CUSTOMER		FCI		www.fciconnect.com		
lir	ecr no.	dr	date	linear	.XX±.01/0.X±0.3	COPY		projection	title IP + 16S + 1P			
A					.XXX±.005/0.XX±0.13				R/A PRESS FIT RECEPTACLE			
				angles	.XXX±.002/0.XXX±0.051				product family	PwrBlade	code	213
				dr	0°±2°	RYAN YUAN	02/23/06	INCH/MM	size	dwg no	sheet	3 of 4
				engr		SALLY LUO	02/23/06	scale	A	51770-026		
				chr		BEER FU	02/23/06	1:1				
				appd		JOSEPH HSIA	02/23/06					
sheet index	revision sheet											

code code 22526

Pro/E

Tous droits strictement réservés. Reproduction ou communication o des liers interdite sous quelque forme que ce soit sans autorisation écrite du propriétaire. Propriété de c FCI. Droits de reproduction FCI.



All rights strictly reserved. Reproduction or issue to third parties in any form whatsoever is not permitted without written authority from the proprietor. Property of FCI. Copyright FCI.

PRODUCT NUMBER
51770-026--
NOTE ③

- NOTES:
- DIMENSIONS AND TOLERANCES ARE IN ACCORDANCE WITH ASME Y14.5M, 1994 UNLESS OTHERWISE SPECIFIED.
- CONNECTOR NOTES:
- HOUSING MATERIAL: UL 94 V-0 GLASS FILLED HIGH-TEMP THERMOPLASTIC
POWER CONTACT MATERIAL: COPPER ALLOY
SIGNAL PIN MATERIAL: COPPER ALLOY
 - PLATING:
SEE PRINT 10064183 FOR PLATING SPEC OF 51770-026; 51770-026LF
 - MANUFACTURER'S NAME, P/N, AND DATE CODE TO APPEAR ON THIS SURFACE.
 - PRODUCT SPECIFICATION GS-12-149.
APPLICATION SPECIFICATION BUS-20-067.
 - PACKAGED IN TRAYS.
- PCB NOTES:
- ALL HOLE DIAMETERS ARE FINISHED HOLE SIZE.
 - MOUNTING HOLES, WHERE APPLICABLE, ARE UNPLATED.
 - $\varnothing .0453 \pm .0010$ [1.151 ± 0.025] DRILLED HOLES PLATED WITH
.0003 [0.008] MIN SnPb OVER .001 [0.03]
TO .003 [0.08] Cu PLATING TO ACHIEVE
 $\varnothing .040 \pm .003$ [1.02 ± .07] HOLE.
 - "DIM XXX" TO BE DETERMINED BY THE CUSTOMER.
 - CONNECTOR KEEP-OUT ZONE.
 - USE FCI CAM TOOL 430140-XXX
TO APPLY CONNECTOR TO PCB.

mat'l code		SEE NOTE 2		tolerances unless otherwise specified		CUSTOMER		 www.fciconnect.com	
lir	ecn no.	dr	date	linear	.XX±.01/0.X±0.3	COPY		projection	title
A					.XXX±.005/0.XX±0.13	INCH/MM			IP + 16S + 1P
				angles	.XXX±.002/0.XXX±0.051	scale			R/A PRESS FIT RECEPTACLE
				dr	0° ± 2°	1:1			
				engr	RYAN YUAN 02/23/06	product family		PwrBlade	code
				chr	SALLY LUO 02/23/06	size		A	213
				opod	BEER FU 02/23/06	dwg no		51770-026	sheet
					JOSEPH HSIA 02/23/06				4 of 4
sheet index	revision sheet								

code code 22526