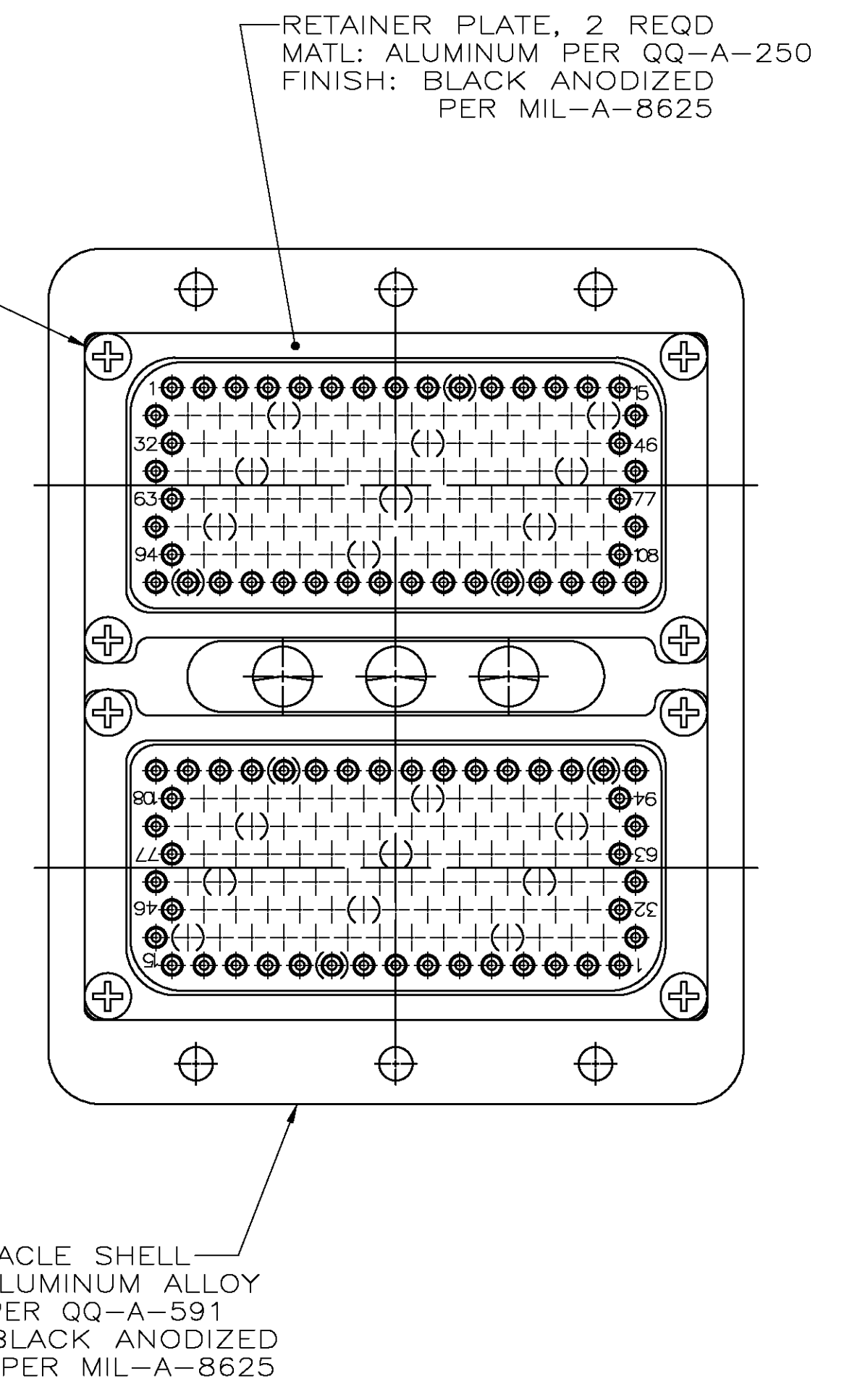
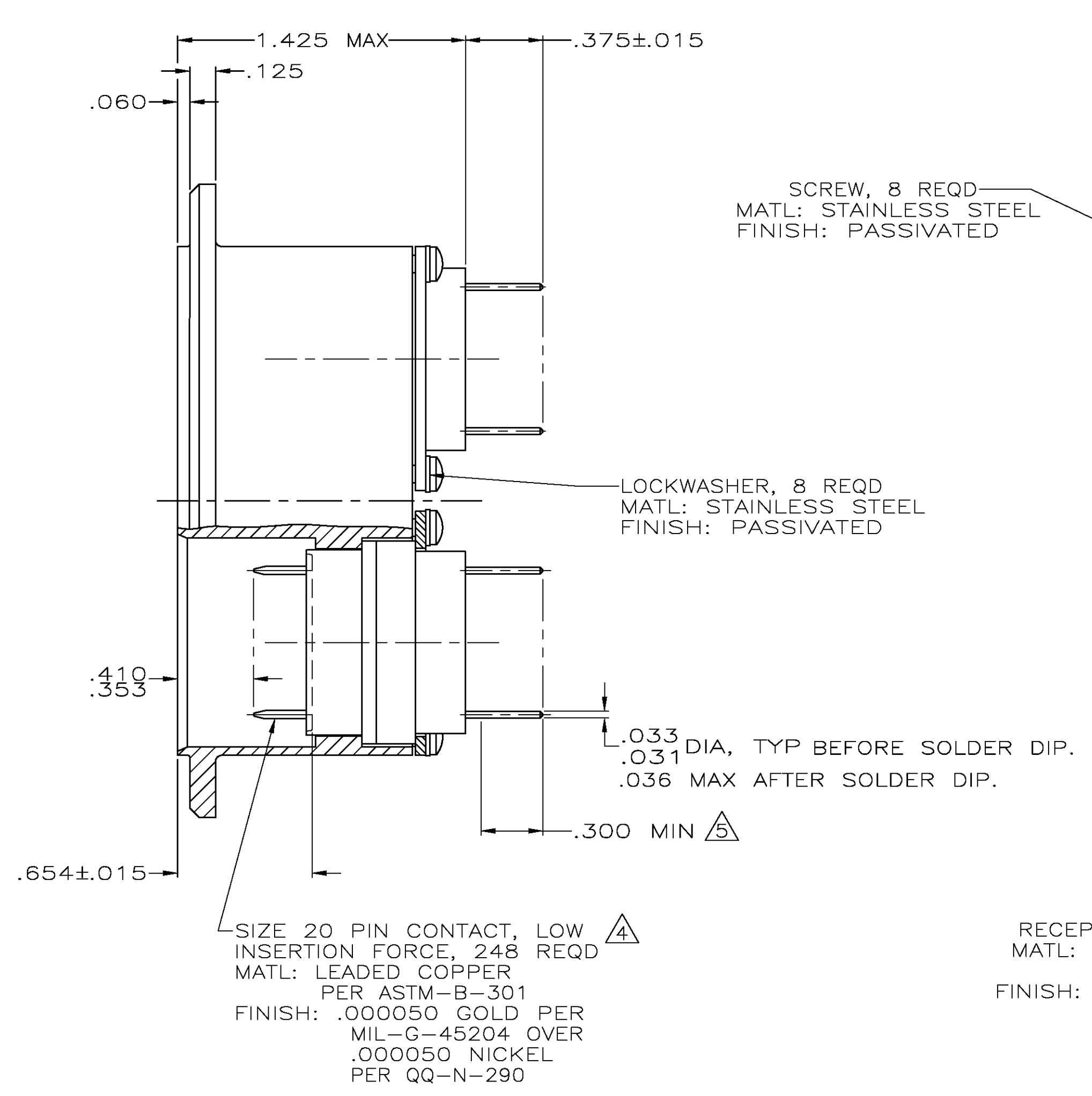
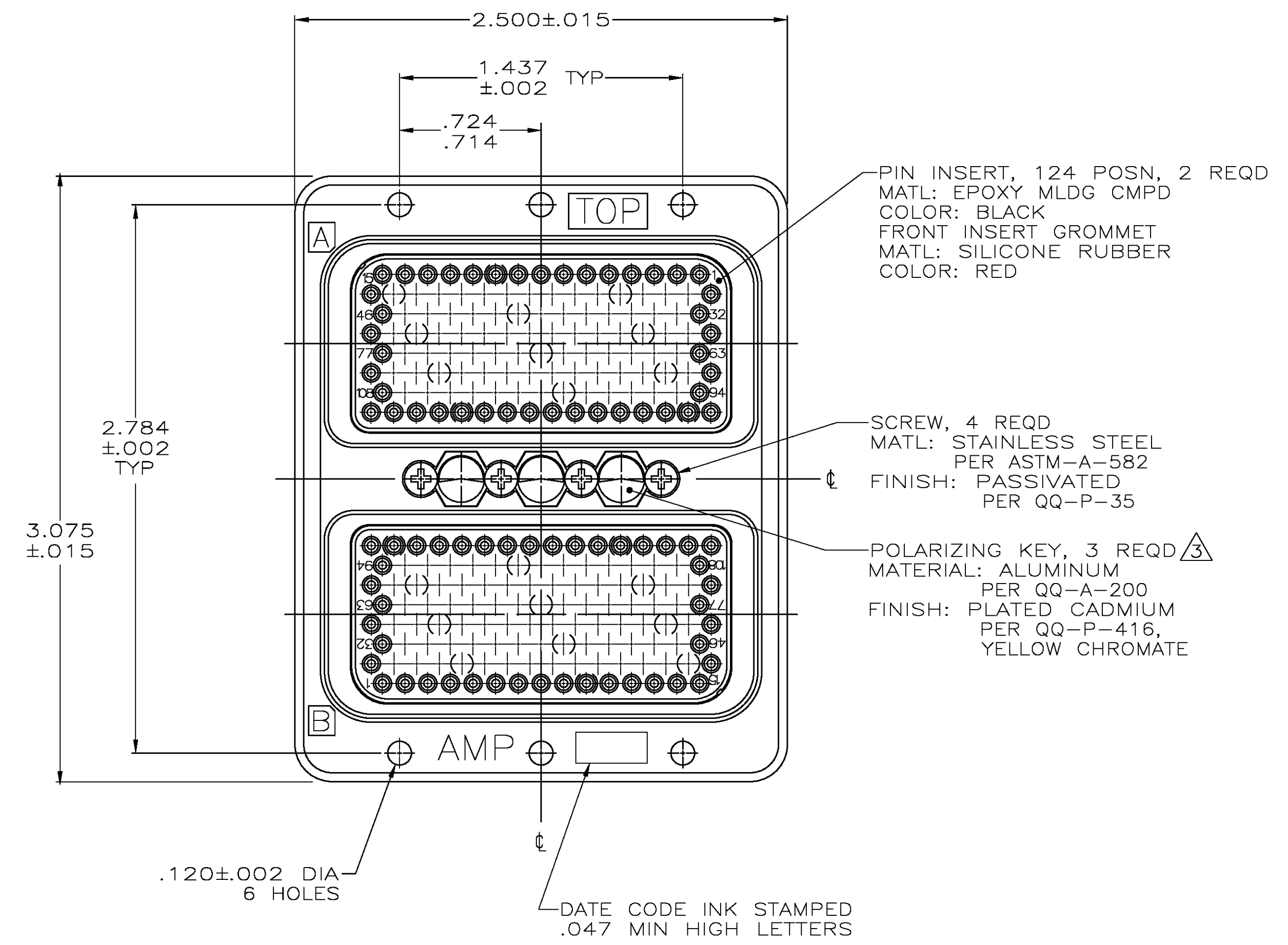
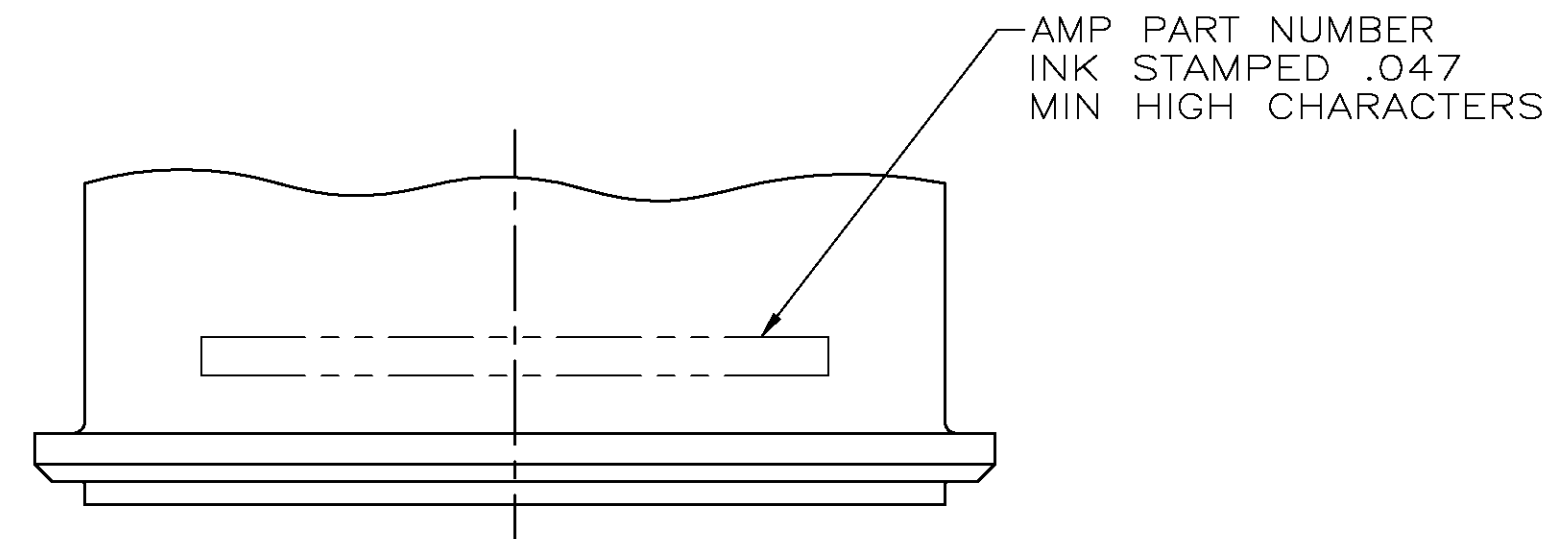


REVISIONS					
P	LTR	DESCRIPTION	DATE	DMN	APVD
C		REV PER ECO 17-008102	7-19-17	CT	EO

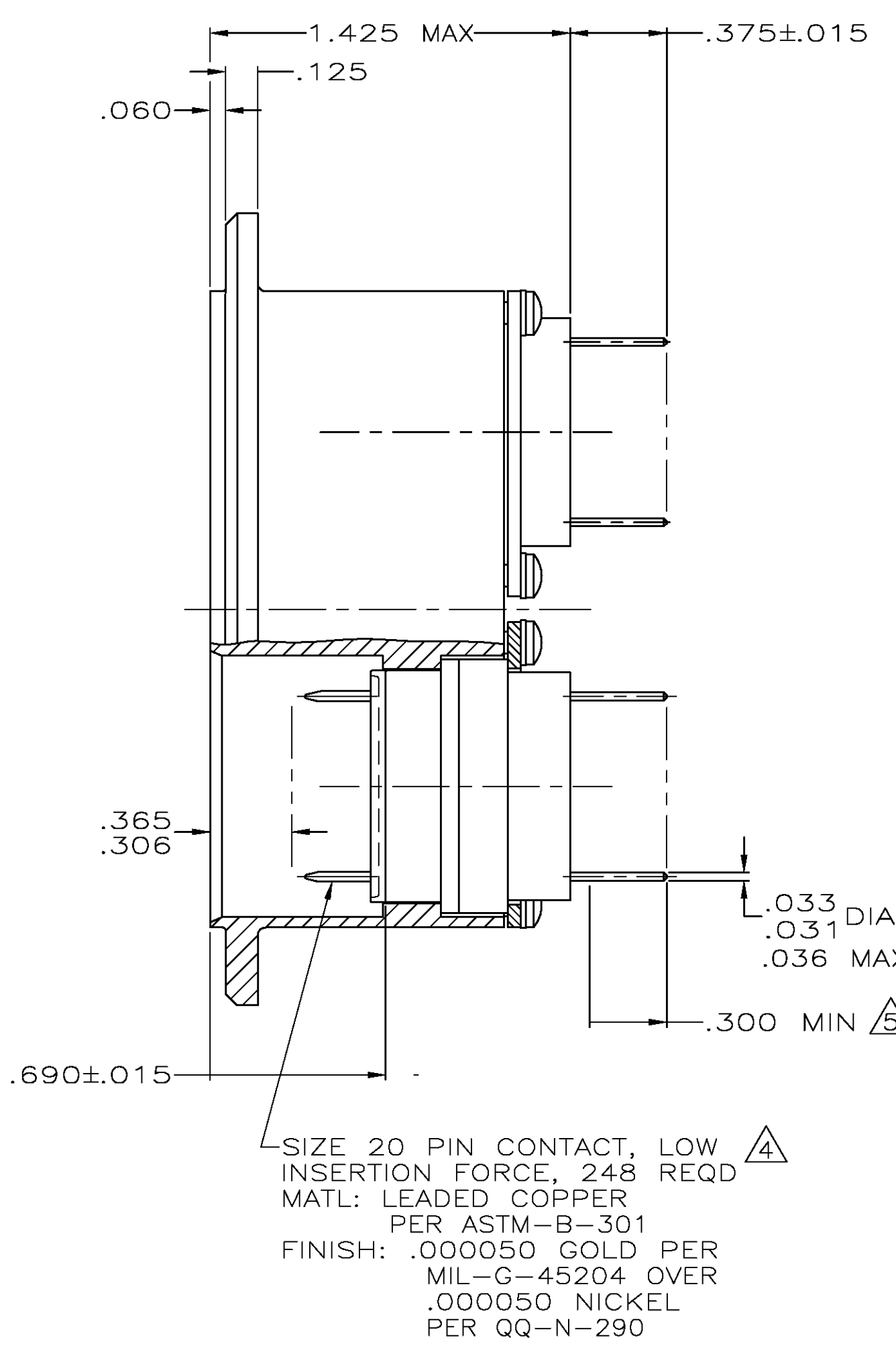
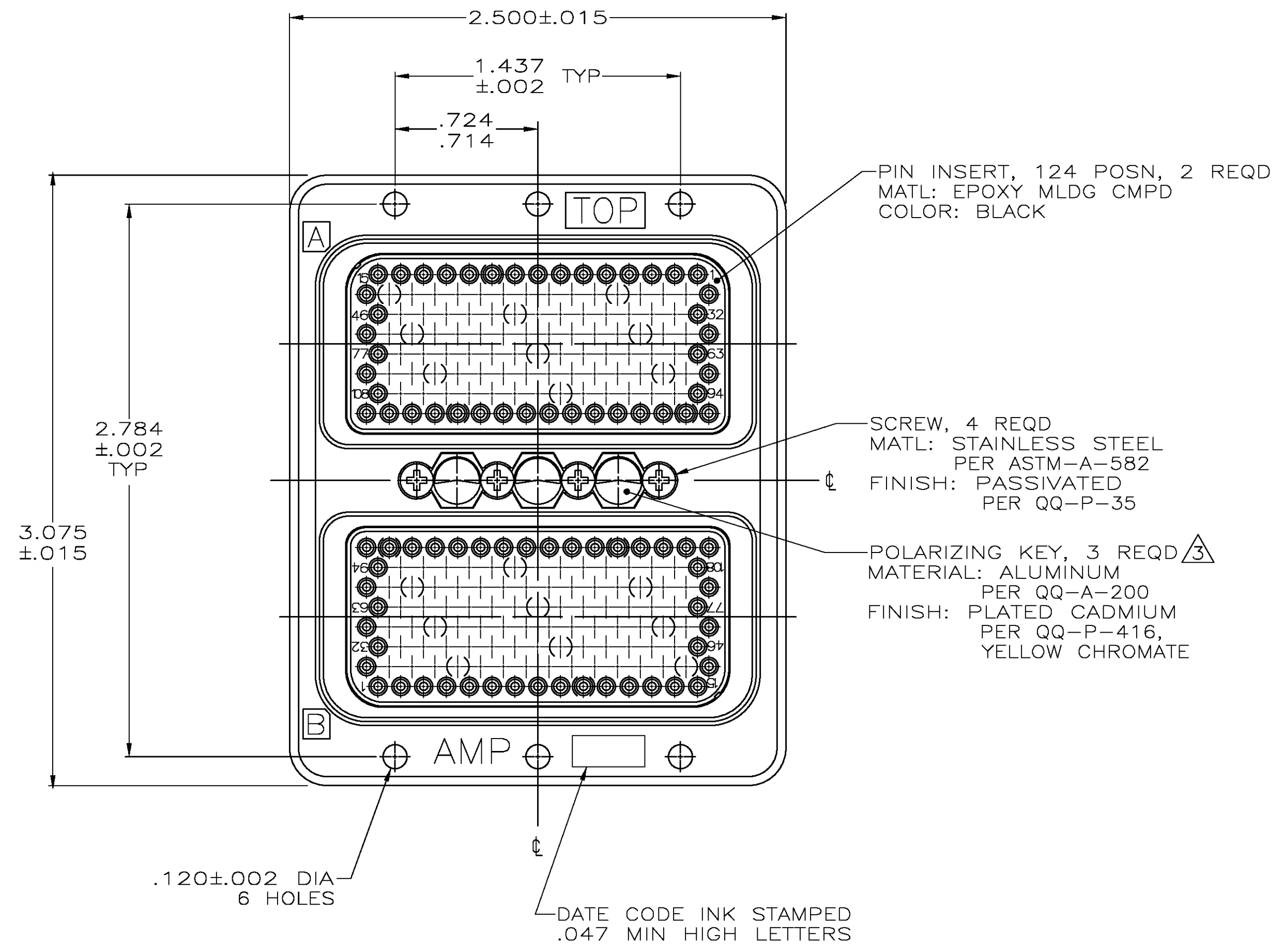
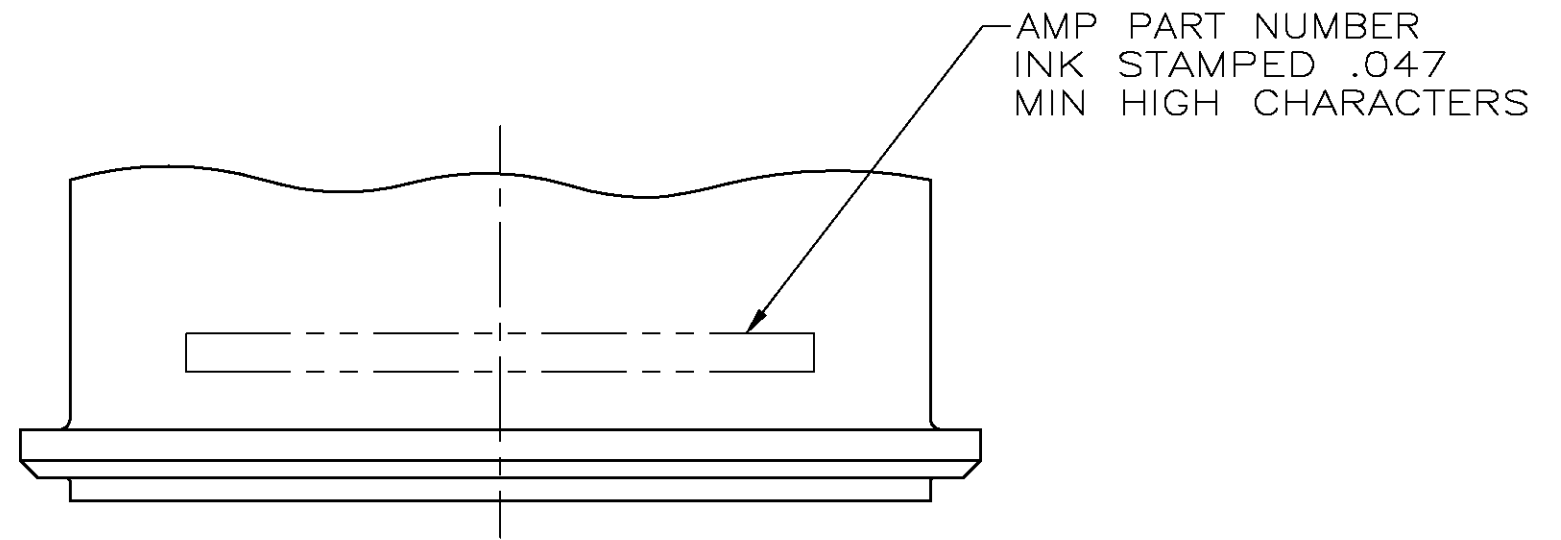


- THIS CONNECTOR MEETS ALL APPLICABLE SPECIFICATIONS OF MIL-C-81659.
- CONTACTS ARE RELEASED AND REMOVED FROM FRONT (MATING FACE) OF CONNECTOR.
- Δ POLARIZING KEYS ARE ASSEMBLED IN POSITION 01.
- Δ REPLACEMENT SOLDER DIPPED PIN CONTACT PART NUMBER IS 445544-3.
- Δ CONTACT TAILS ARE SOLDER DIPPED OVER THIS LENGTH.
- Δ REPLACEMENT SOLDER DIPPED PIN CONTACT PART NUMBER IS 445914-3.
- Δ 445531-3 IS VAPOR PHASE SOLDERABLE.

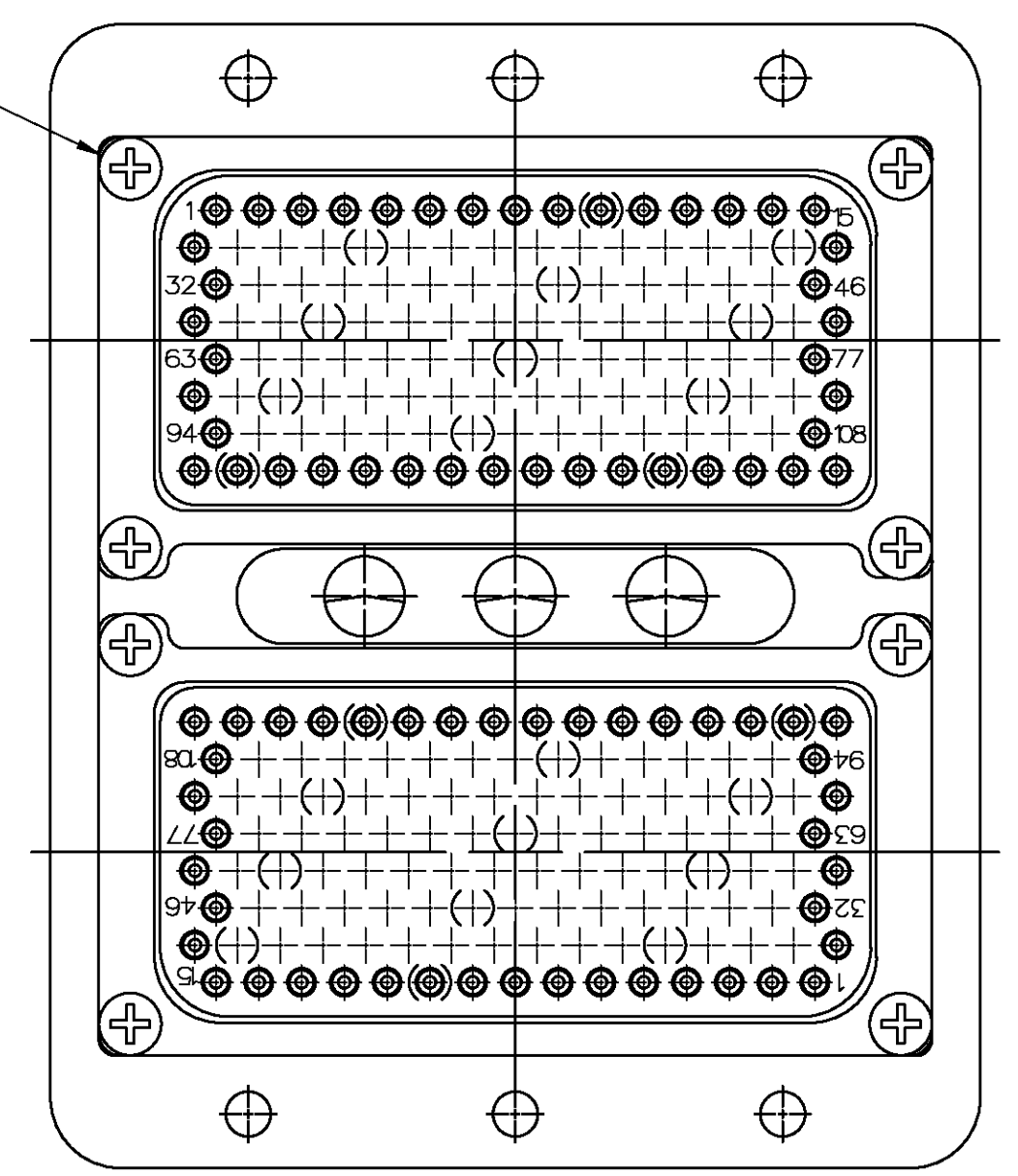
SEE SHEET #2	Δ 445531-3
OBsolete AS SHOWN; SHEET #1	445531-1
DESCRIPTION	PART NO

THIS DRAWING IS A CONTROLLED DOCUMENT.		DMN B.YOHN 8-25-88	8-25-88	TE Connectivity	
DIMENSIONS: INCHES	TOLERANCES UNLESS OTHERWISE SPECIFIED:	CHK B.YOHN	NAME	DUAL RECEPTACLE CONNECTOR ASSEMBLY, ARINC 404, SIMILAR TO AD2R124P124P-6001	
0 PLC ± -	1 PLC ± -	PRODUCT SPEC	APPLICATION SPEC	SIZE A1	CAGE CODE 00779
2 PLC ± -	3 PLC ± .005	WEIGHT	0	DRAWING NO C=445531	RESTRICTED TO
4 PLC ± -	ANGLES ± -	CUSTOMER DRAWING	SCALE 2:1	SHEET 1 of 2	REV C

REVISIONS				
P	LTR	DESCRIPTION	DATE	APVD
-	-	SEE SHEET 1	-	-



SCREW, 8 REQD
 MATL: STAINLESS STEEL
 FINISH: PASSIVATED



AS SHOWN SHEET #2	445531-3
SEE SHEET #1	445531-1
DESCRIPTION	PART NO

THIS DRAWING IS A CONTROLLED DOCUMENT.

DIMENSIONS: INCHES	TOLERANCES UNLESS OTHERWISE SPECIFIED: 0 PLC ± - 1 PLC ± - 2 PLC ± - 3 PLC ± .005 4 PLC ± - ANGLES ± -	DIN 8-25-88 BYOHN CHK 8-25-88 BYOHN APVD	NAME DUAL RECEPTACLE CONNECTOR ASSEMBLY, ARINC 404, SIMILAR TO AD2R124P124P-6001
MATERIAL SEE CALLOUTS	FINISH SEE CALLOUTS	WEIGHT -	SIZE A1 CAGE CODE 00779 DRAWING NO C=445531 RESTRICTED TO
CUSTOMER DRAWING		SCALE 2:1	SHEET 2 OF 2 REV C

TE Connectivity