

Ratings

Temperature: -40~70 °C
 Voltage: 150 V

Conductor

Gauge: 20 AWG 0.51 mm²
 Material: tinned copper strands
 Strand size: $\phi 0.1 \times 65$
 Resistance at 20 °C: 36.7 Ω /km max

Insulator

Material: HDPE
 Color: brown, gray, purple, orange, green, blue, yellow, white, black, red
 Diameter: $\phi 1.45 \pm 0.10$ mm
 Nominal thickness: 0.25 mm
 Resistance at 20 °C: 100 M Ω /km min

Shield

Type: spiral
 Material: tinned copper strands
 Stranding: $\phi 0.08$ mm
 Coverage: 90 % min

Outer jacket

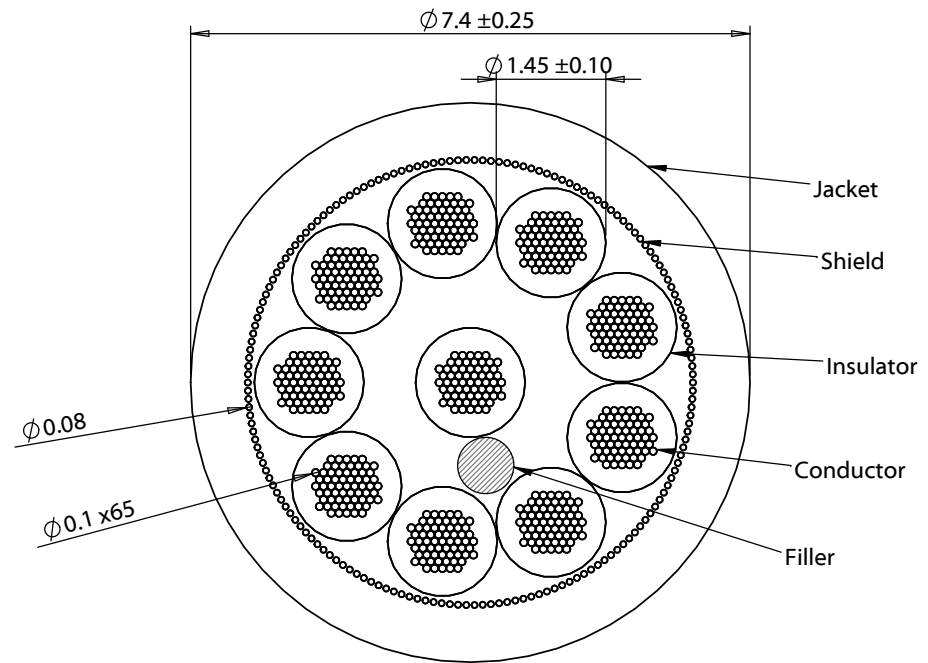
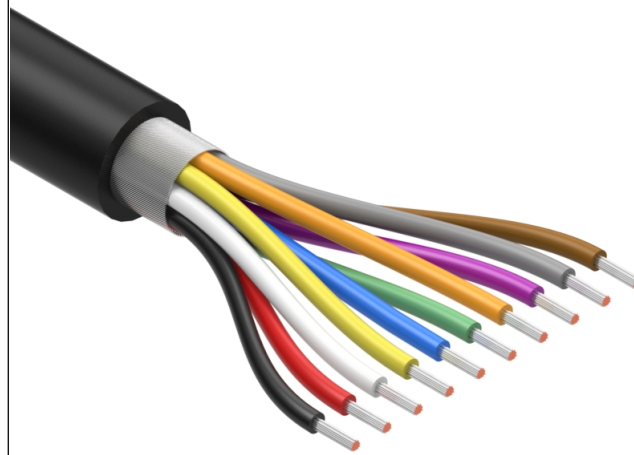
Material: TPU
 Color: black
 Nominal thickness: 0.70 mm
 Diameter: $\phi 7.4 \pm 0.25$ mm

Filler

Material: aramid fiber

Tests

Tensile strength: 35.7 kgf min
 Dielectric test: 1500 V dc for 1 minute without breakdown
 Bend test at 200 g, $\pm 90^\circ$, 30 cycles /min: 15,000 cycle minimum



| | | | | | |
|-----------|-----------|-----------------|--|--|---|
| Revision: | Date: | Description: | Prepared: | Notes: RoHS compliant Jacket meets ISO 10993 Biological Compatibility Phthalate and halogen free Function test: no open, no short, no intermittent | TENSILITY tel 1.541.323.3228 800 877.670.7118 fax 1.541.323.4202 web tensility.com |
| A | 3/23/2021 | Initial release | Verified: | | |
| | | | Dimensions are in millimeters. Tolerances: X: ± 0.5 mm X.X: ± 0.3 mm X.XX: ± 0.05 mm | Description: | Size: Part number: |
| | | | | Wire, 10C TS, 20 AWG, 150V, 70C, 7.4 mm, shielded, TPU, 75A, WBL | A 30-01883 |
| | | | | Scale: 10:1 | Sheet 1 of 1 |

5

4

3

2

1