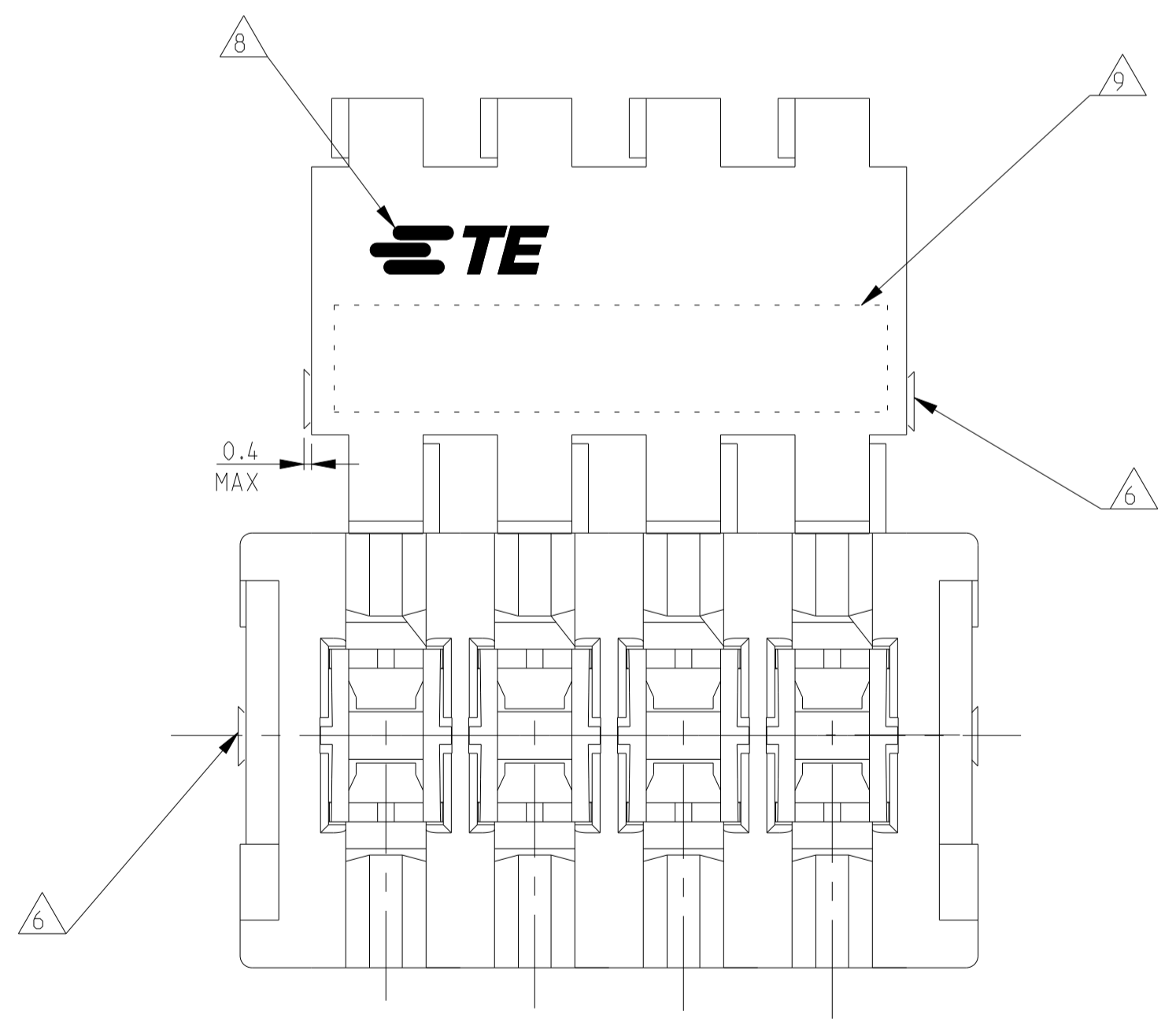
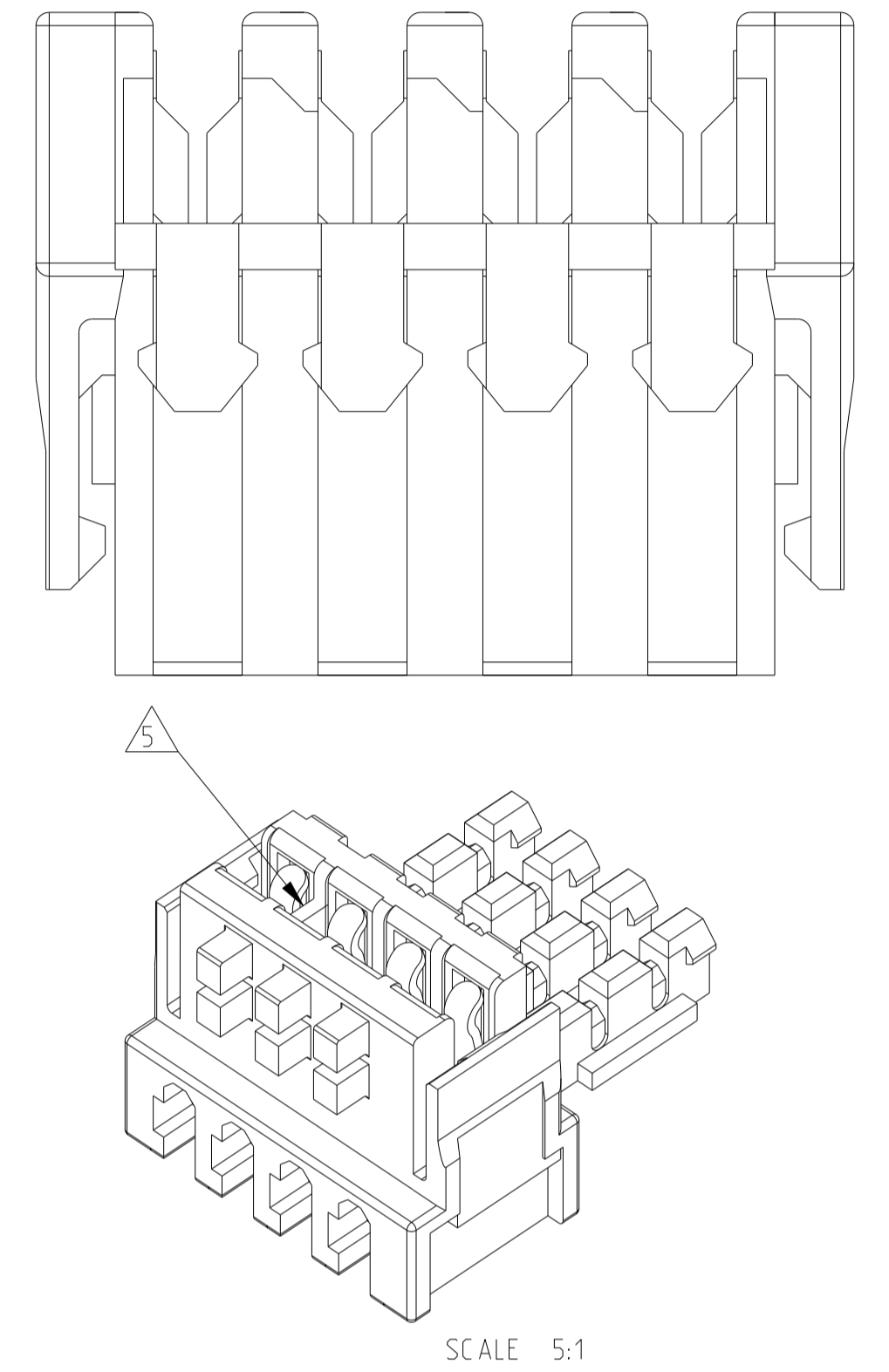
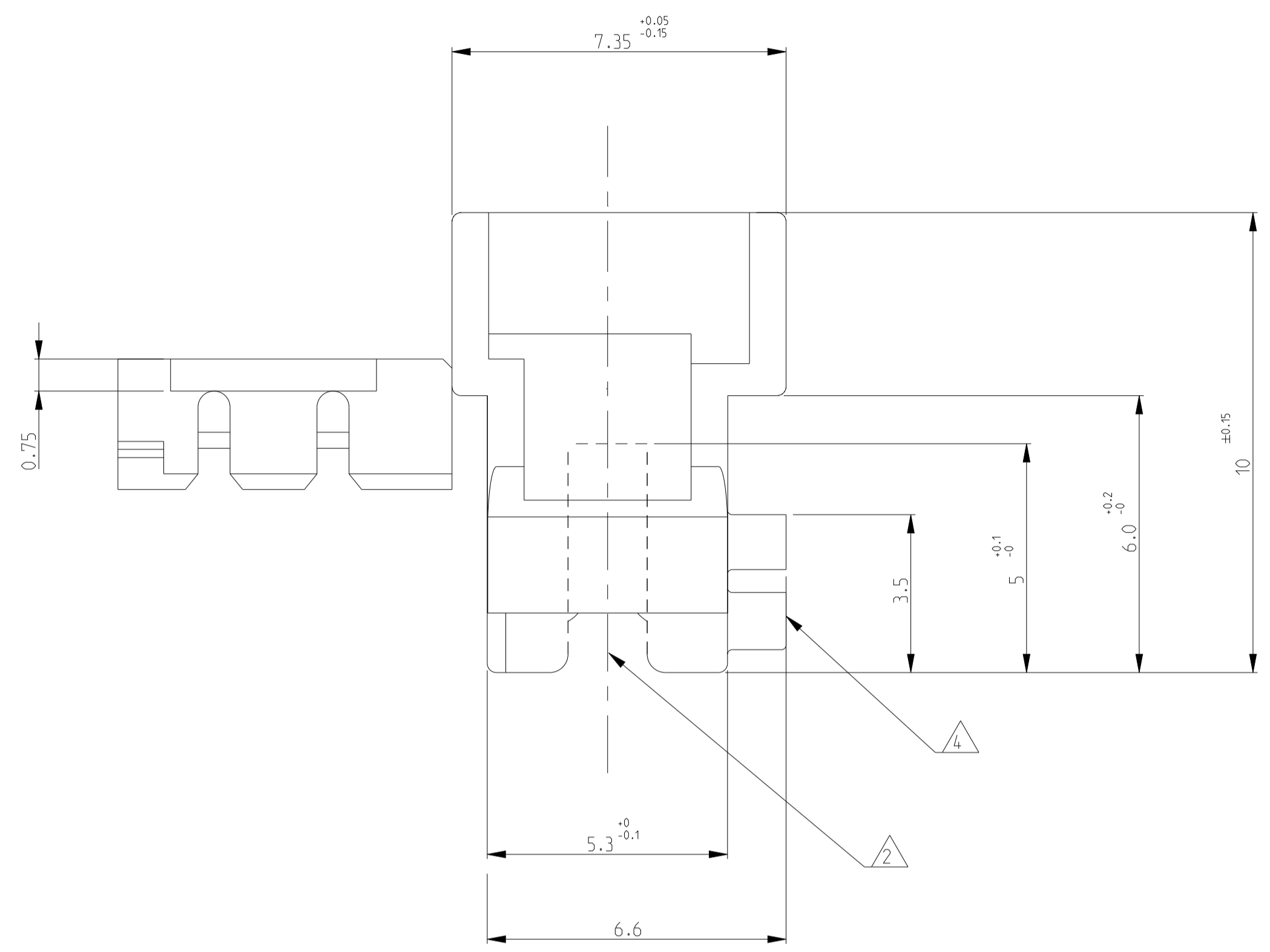
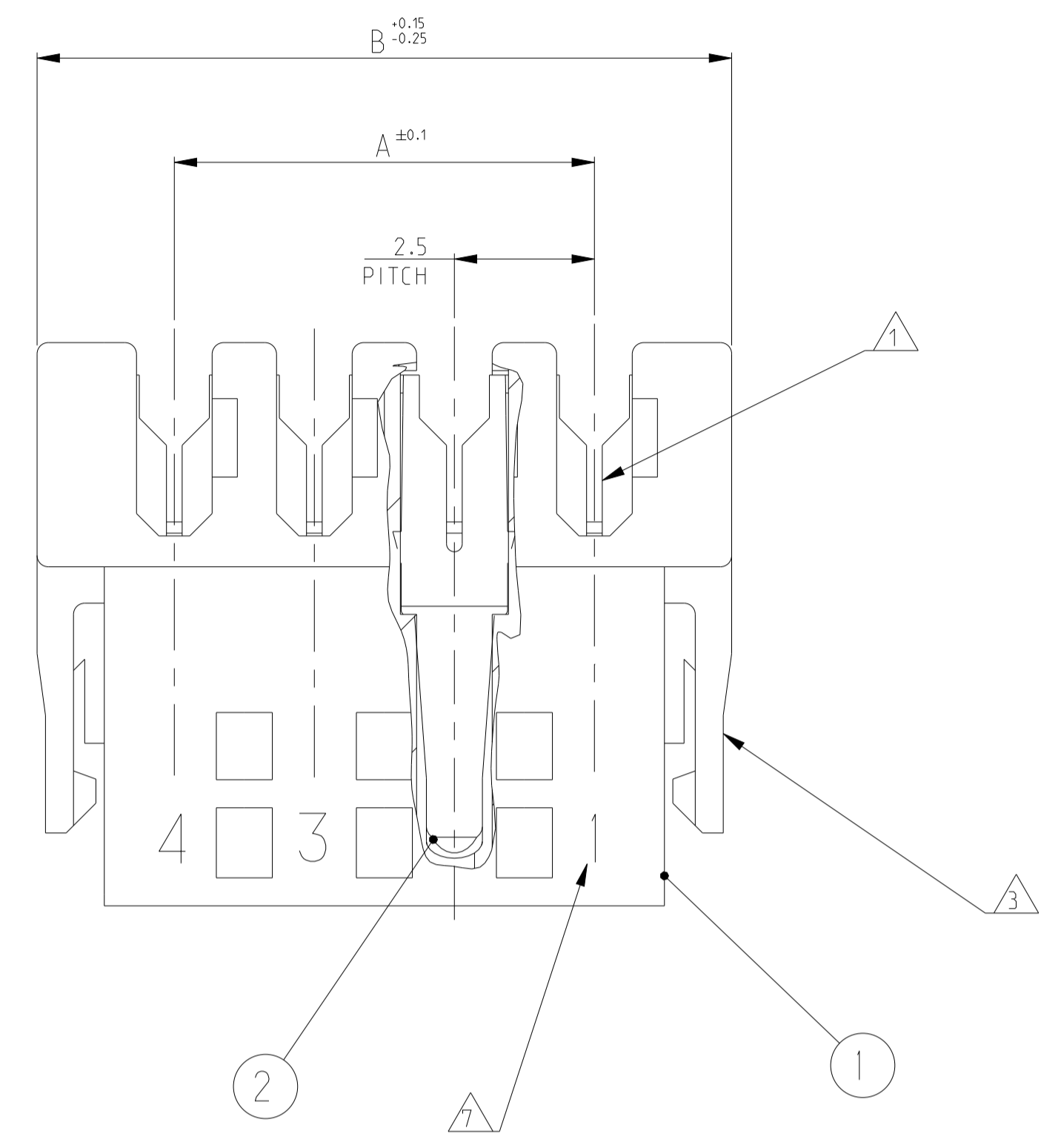


LOC		DIST		REVISIONS			
P	LTN	DESCRIPTION	DATE	OWN	APVD		
B3		ECR-21-124485	21DEC2021	DC	FL		
B4		ECR-22-126910	24JAN2022	DC	FL		
C		ECR-22-128794	10FEB2022	DC	FL		
C1		ECR-22-134224	04APR2022	DC	FL		



- 1 WIRE RANGE : STRANDED 0.22-0.35 mm² (INS. DIA. 1.30±0.1)
- 2 MATING PART: P.C.B. EDGE, DOUBLE SIDE, THK 1.5 (COPPER CLADDING INCLUDED)
- 3 SIDE LOCKING DEVICE
- 4 KEYING RIBS TO BE REMOVED BY TERMINATION MACHINE
- 5 POLARIZATION RIBS BETWEEN CAVITIES
- 6 CUT OFF DIMENSION DUE TO PRODUCTION PROCESS
- 7 CIRCUIT No. IDENTIFICATION
- 8 TE TRADEMARK (OPTIONAL POSITION)
- 9 TAMPOGRAPHIC COLOUR CODE AREA (P/Ns IDENTIFICATION BEFORE CRIMPING AREA)
- 10 FOR PCB LAYOUT, SEE PAGES 2-3
FOR CONNECTION VIEW LAYOUT, SEE PAGE 3
- 11 PRELIMINARY PART, NOT YET RELEASED FOR PRODUCTION
- 12 NOT DEFINED DURING PRELIMINARY STATUS
- 13 PBT GF
- 14 PA GF, UL94-V0 & GWPT 750 NO-FLAME, NATURAL
- 15 ALTERNATIVE RESIN PBT GF
- 16 PART RELEASED WITH PARTIAL VALIDATION AND PENDING AGENCY APPROVALS

COLOUR CODE	POLARIZ. RIB POS.	HSG POS.	DIM.A	DIM.B	TE P/N	TE P/N	TE P/N
BLACK	13/14	14	32.5	37.4	1-284865-4	2311503-4	1-2402731-4
RED	11/12	12	27.5	32.4	2-284865-2	1-2311503-2	2-2402731-2
BLACK	2/3				1-284865-2	2311503-2	1-2402731-2
RED	9/10	10	22.5	27.4	2-284865-0	2-2311502-0	2-2402731-0
BLACK	2/3				1-284865-0	1-2311502-0	1-2402731-0
BLACK	2/3	9	20.0	24.9	0-284865-9	2311502-9	2402731-9
RED	3/4	8	17.5	22.4	2-284865-8	1-2311502-8	2-2402731-8
BLACK	2/3				0-284865-8	2311502-8	2402731-8
-	5/6				1-284865-7		1-2402731-7
BLACK	2/3	7	15.0	19.9	0-284865-7	2311502-7	2402731-7
-	3/4				5-284865-6	4-2311502-6	5-2402731-6
ORANGE	5/6				4-284865-6	3-2311502-6	4-2402731-6
OBSOLETE	BLUE	1/2	6	12.5	17.4	3-284865-6	-
RED	4/5				2-284865-6	1-2311502-6	2-2402731-6
BLACK	2/3				0-284865-6	2311502-6	2402731-6
GREY	1/2				3-284865-5	2-2311502-5	3-2402731-5
RED	3/4	5	10.0	14.9	2-284865-5	1-2311502-5	2-2402731-5
BLACK	2/3				0-284865-5	2311502-5	2402731-5
RED	3/4				3-284865-4	1-2311502-4	3-2402731-4
OBSOLETE	RED	N/A			2-284865-4	-	-
BLACK	1/2	4	7.5	12.4	0-284865-4	2311502-4	2402731-4
RED	1/2	3	5.0	9.9	2-284865-3	1-2311502-3	2-2402731-3
BLACK	2/3				0-284865-3	2311502-3	2402731-3

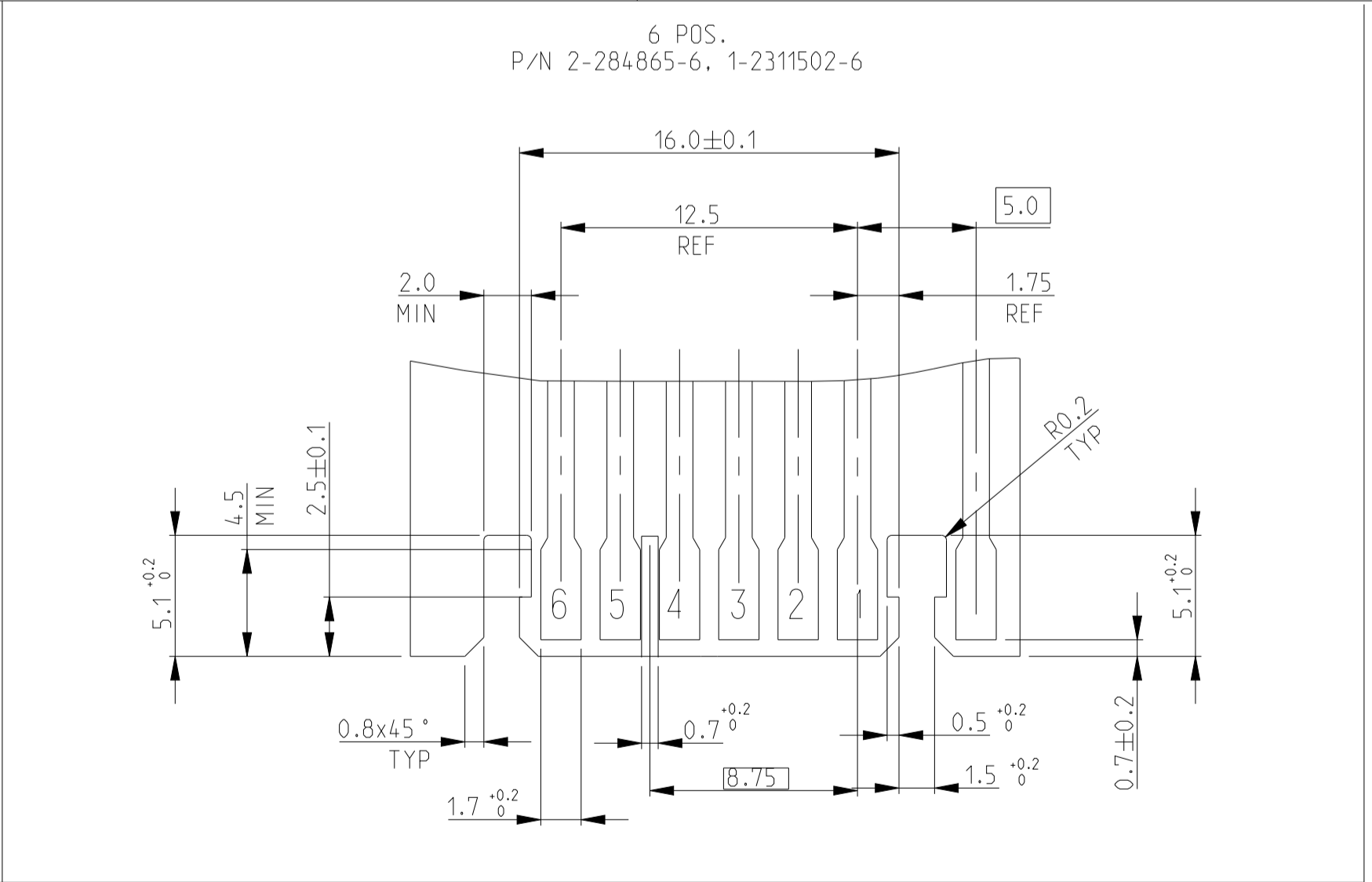
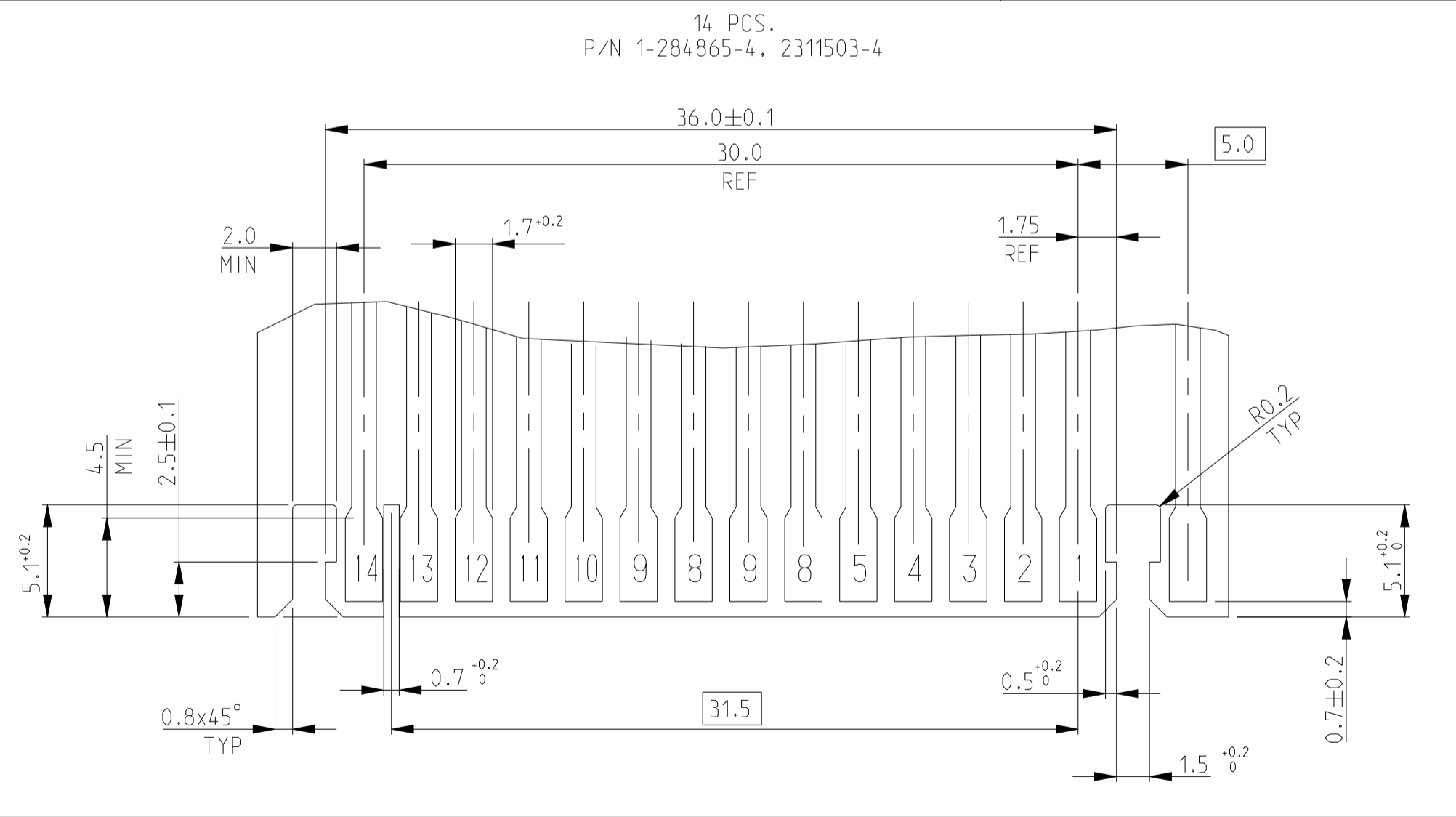
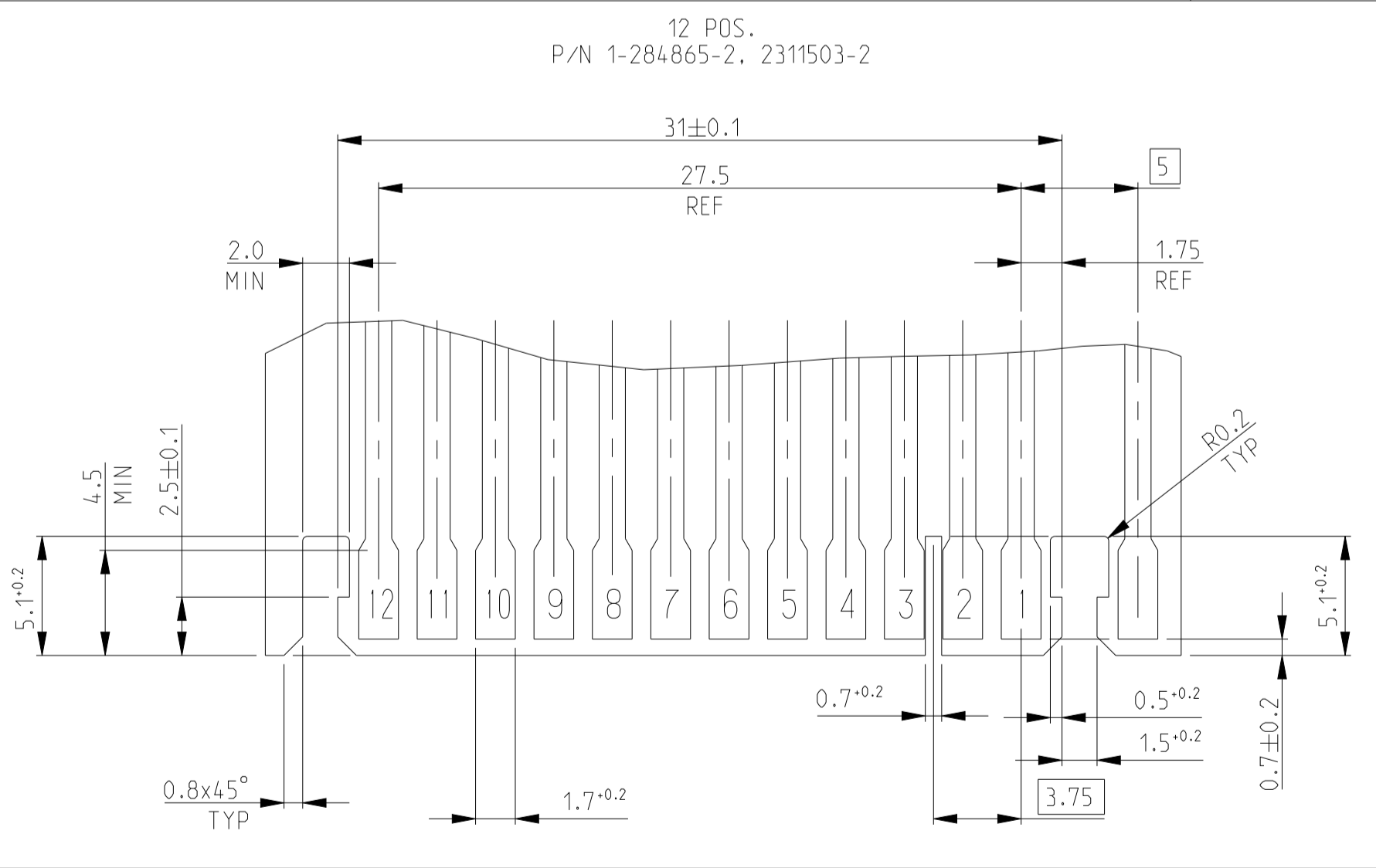
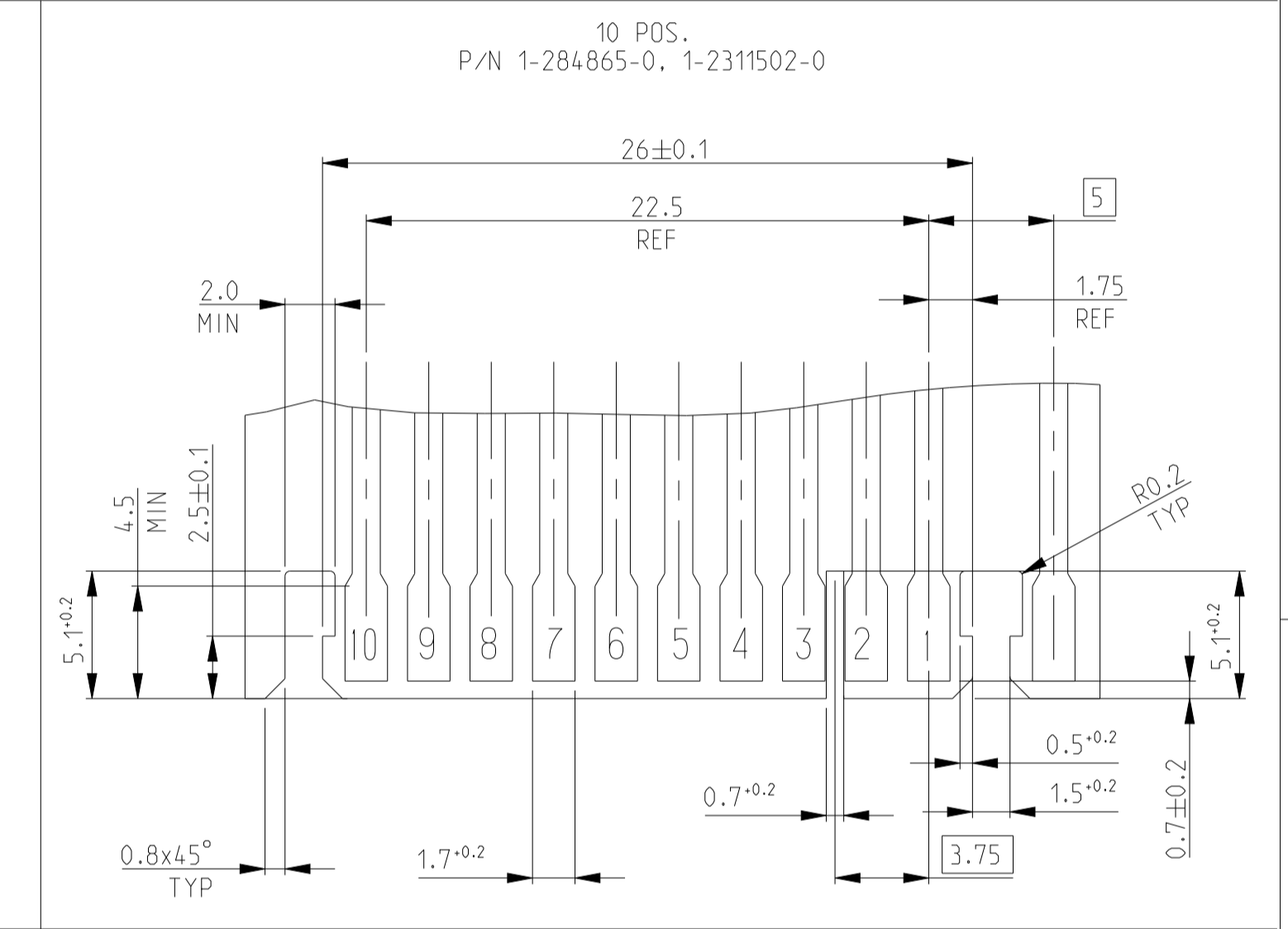
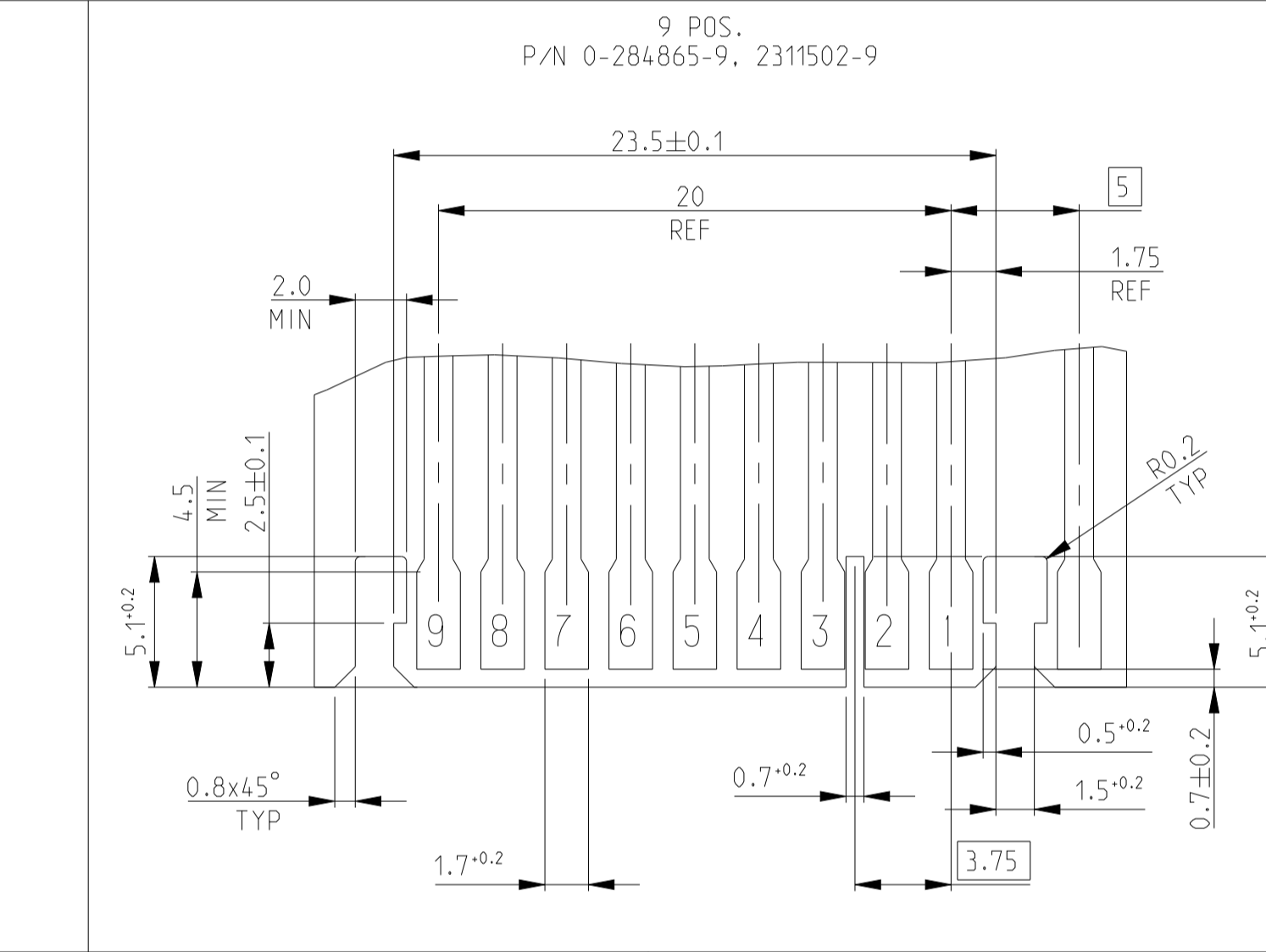
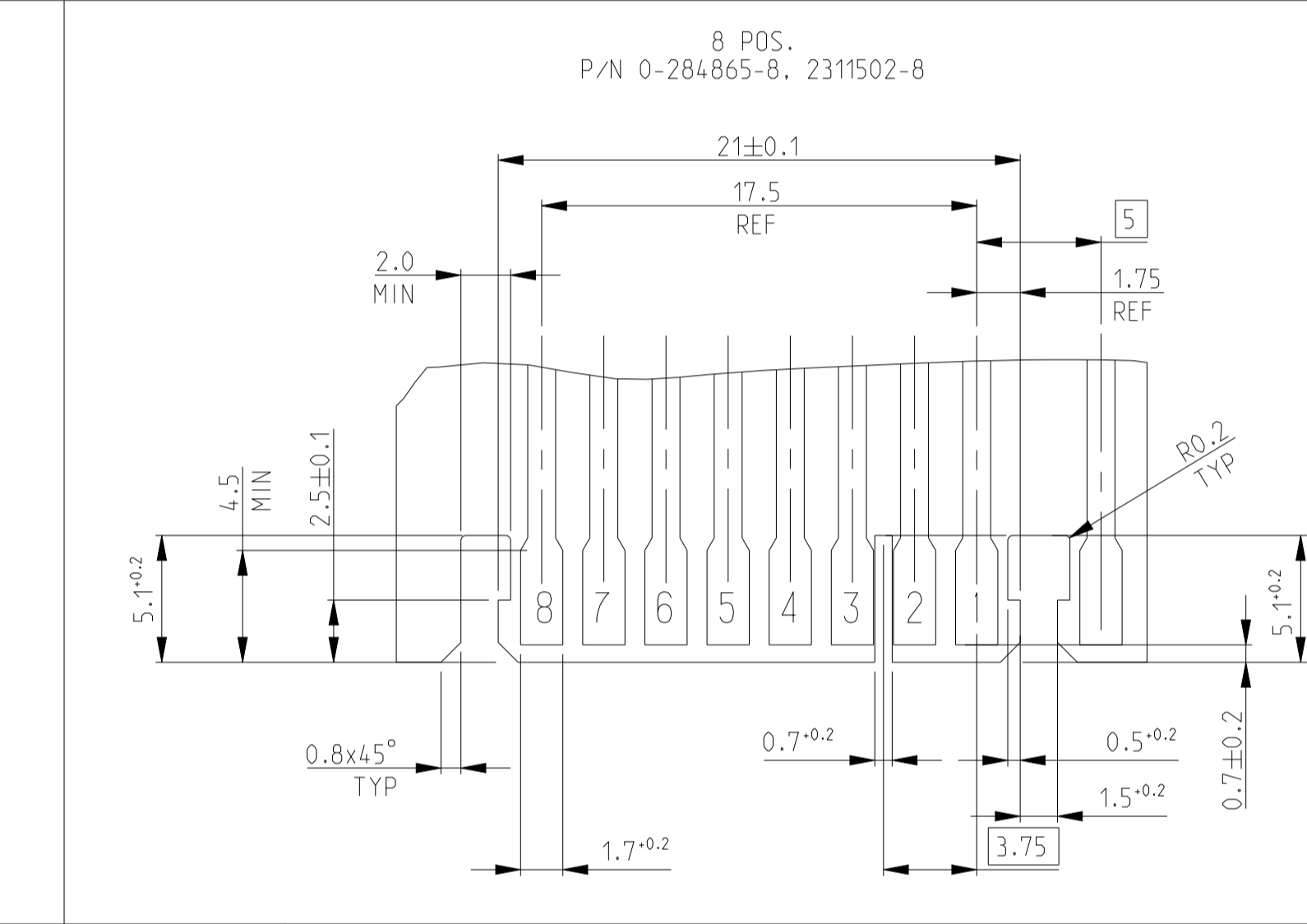
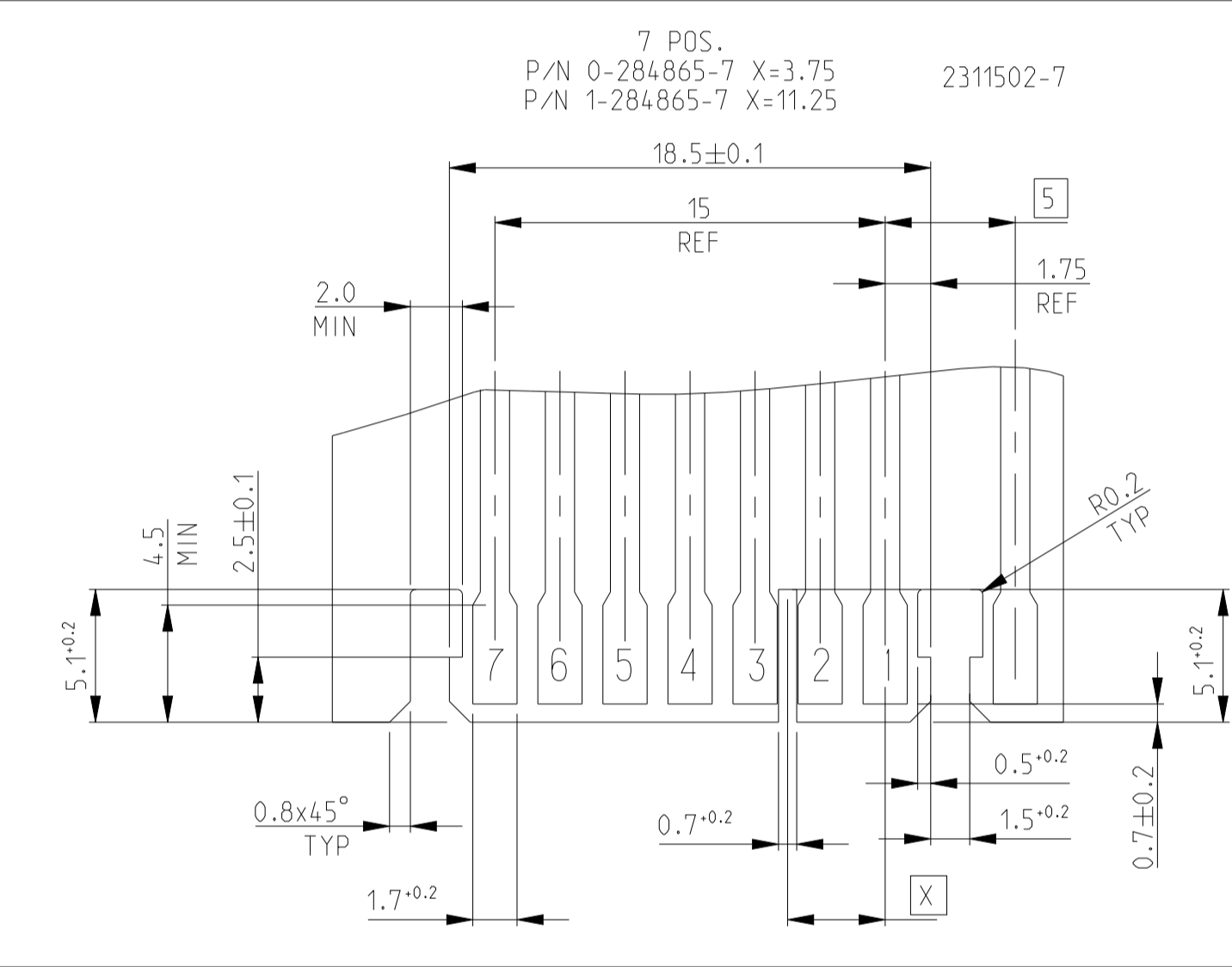
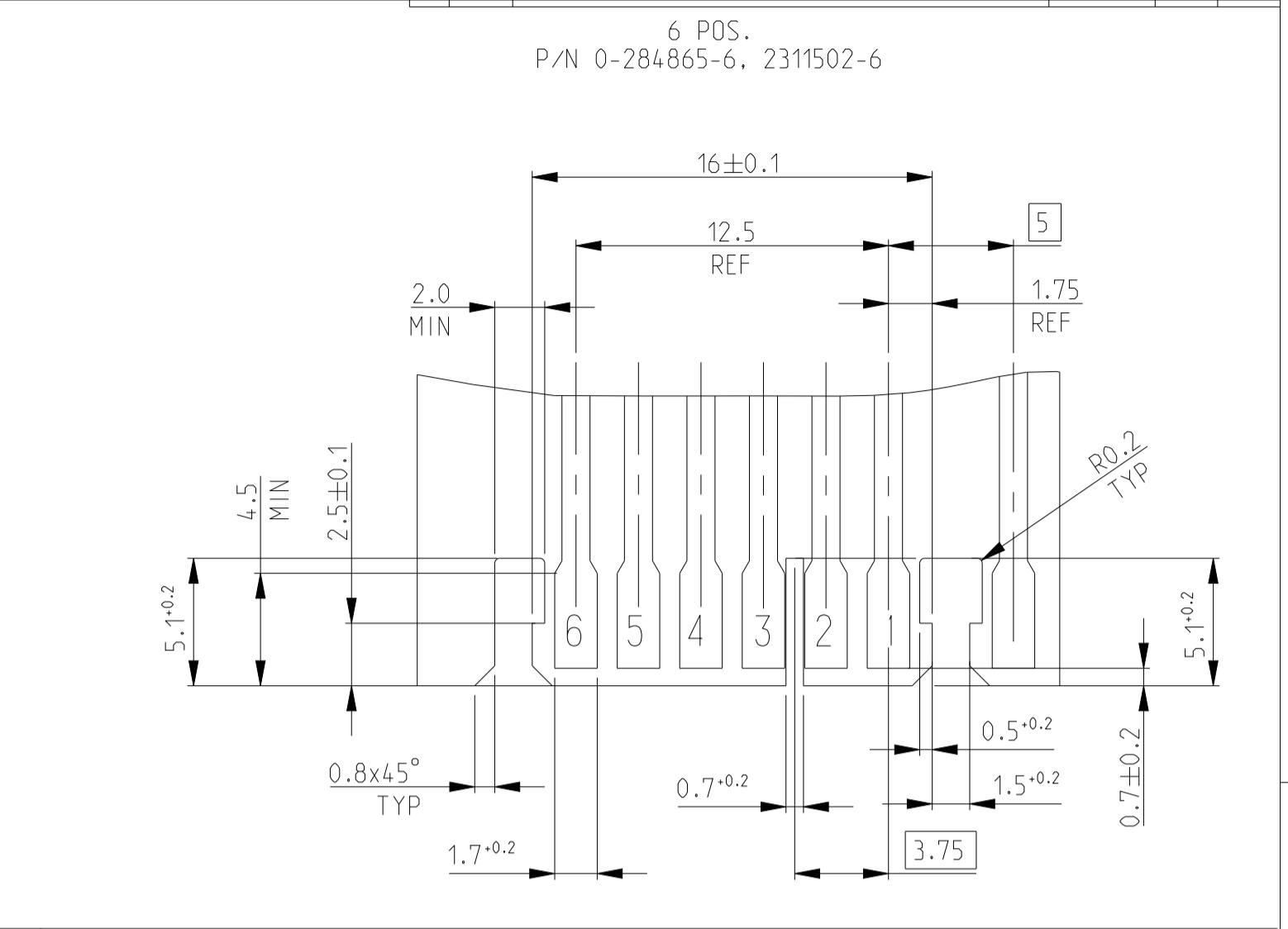
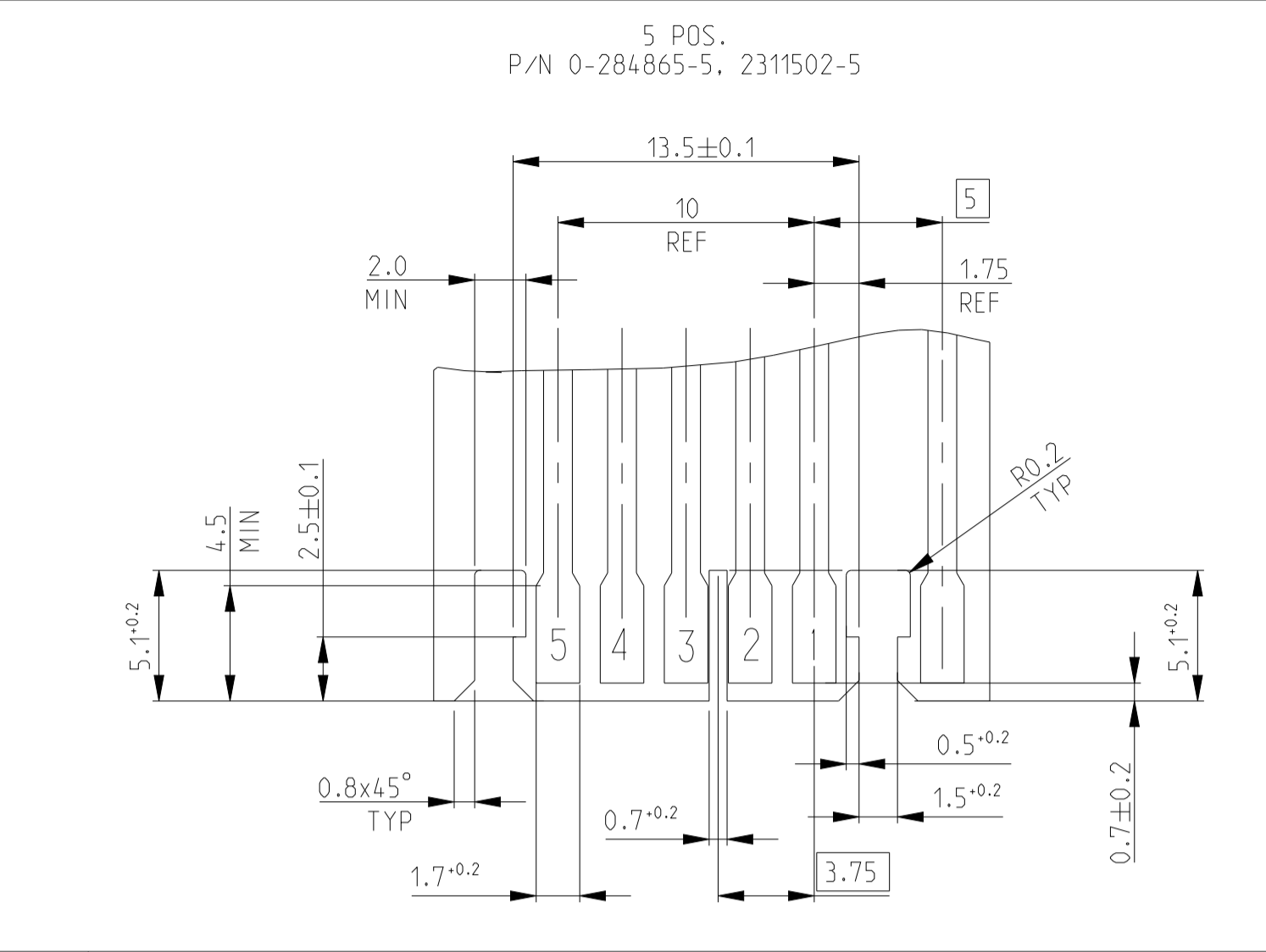
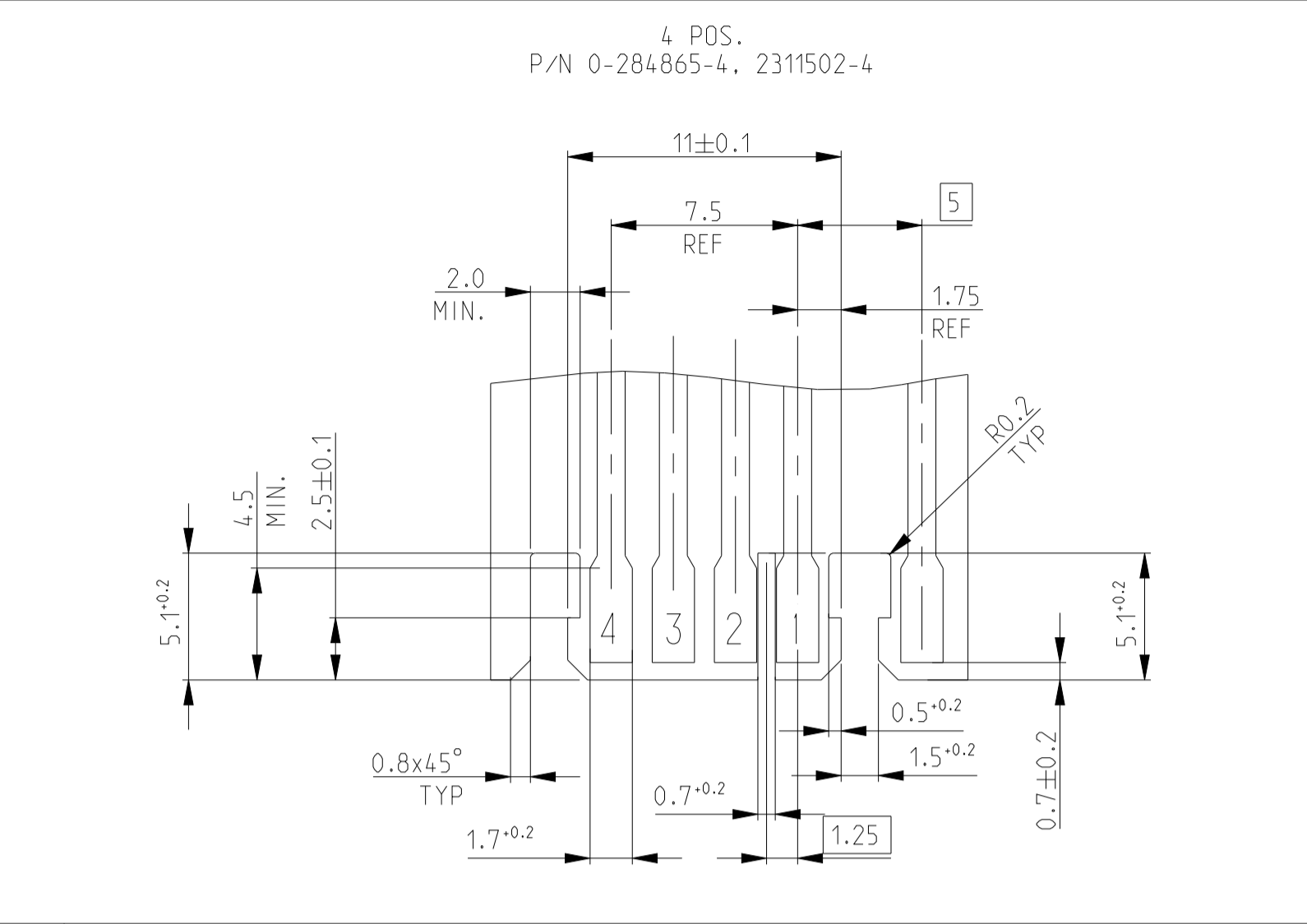
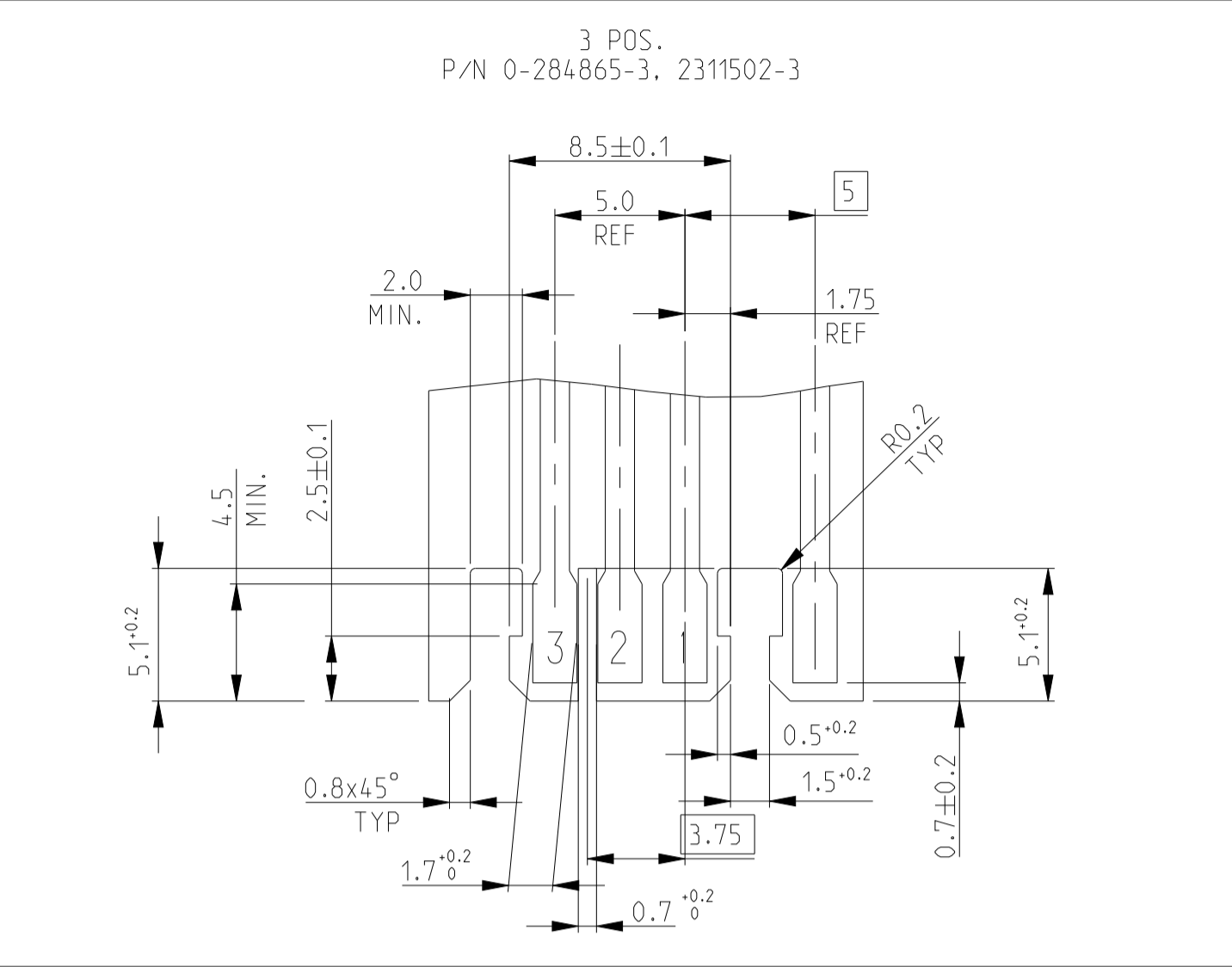
P/N 0-284865-4 AS SHOWN

-		-		-		-		THIS DRAWING IS A CONTROLLED DOCUMENT.		OWN R. FABRIS 03JUL2002		TE Connectivity	
SEE TABLE	PH. BRONZE, TIN PLATED	IDC RECEPTACLE CONTACT	2	DIMENSIONS: mm	TOLERANCES UNLESS OTHERWISE SPECIFIED:	0 PLC ±0.2	1 PLC ±0.1	2 PLC ±0.1	3 PLC ±0.1	4 PLC ±0.1	ANGLES ±1°	FINISH SEE TABLE	APVD G. TURCO
Q.TY	MATERIAL	DESCRIPTION	ITEM	MATERIAL SEE TABLE		SEE TABLE		108-20238		116-18049-1		DUOPLUG 2.5 FEMALE CONN., SIDE LOCKING KEYED (FULLY LOADED)	
1	REVISIONE DELL'ASSEMBLATO (REVISION OF EACH ASSY NO)		ELENCO DEI COMPONENTI (PARTS LIST)		116-18049-1		CAGE CODE DRAWING NO		100779		C=284865		RESTRICTED TO
0.1A PER ASSEMBLATO 01Y PER REV ASSY		ELENCO DEI COMPONENTI (PARTS LIST)		MATERIAL SEE TABLE		SEE TABLE		WEIGHT		Customer Drawing		SCALE 10:1 SHEET 1 OF 4 REV C 1	

PCB LAYOUT -Soldering side-

(SCALE 4:1)

LOC		DIST		REVISIONS			
P	LTN	DESCRIPTION	DATE	OWN	APVD		
-	-	SEE SHEET 1	-	-	-		



THIS DRAWING IS A CONTROLLED DOCUMENT. OWN R. FABRIS 03JUL2002
 DIMENSIONS: mm
 TOLERANCES UNLESS OTHERWISE SPECIFIED:
 0 PLC # # # # #
 1 PLC # # # # #
 2 PLC # # # # #
 3 PLC # # # # #
 4 PLC # # # # #
 ANGLES # # # # #
 MATERIAL SEE TABLE
 FINISH SEE TABLE

Customer Drawing

APVD: TURCO
 PRODUCT SPEC: 108-20238
 APPLICATION SPEC: 116-18049-1
 WEIGHT: -

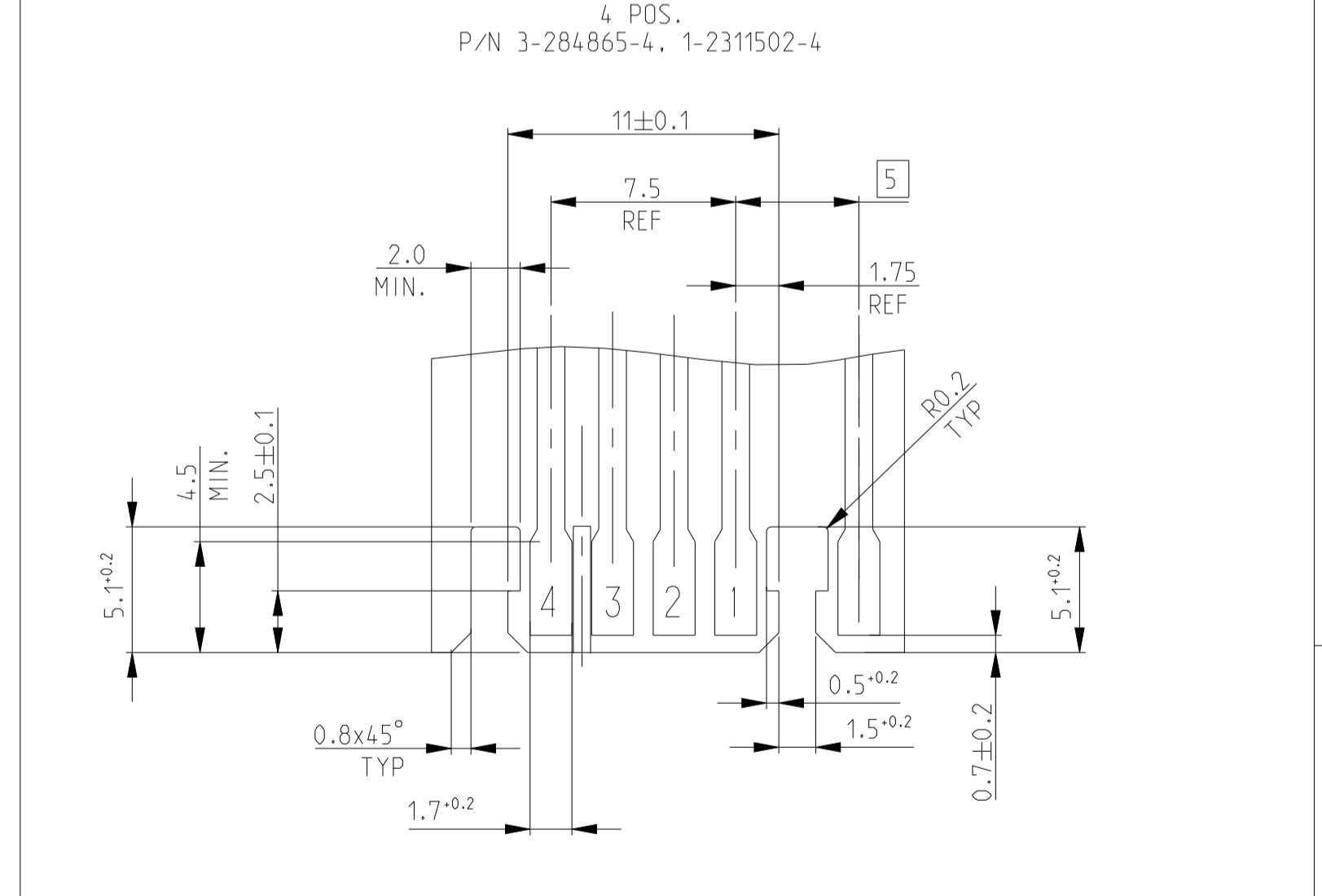
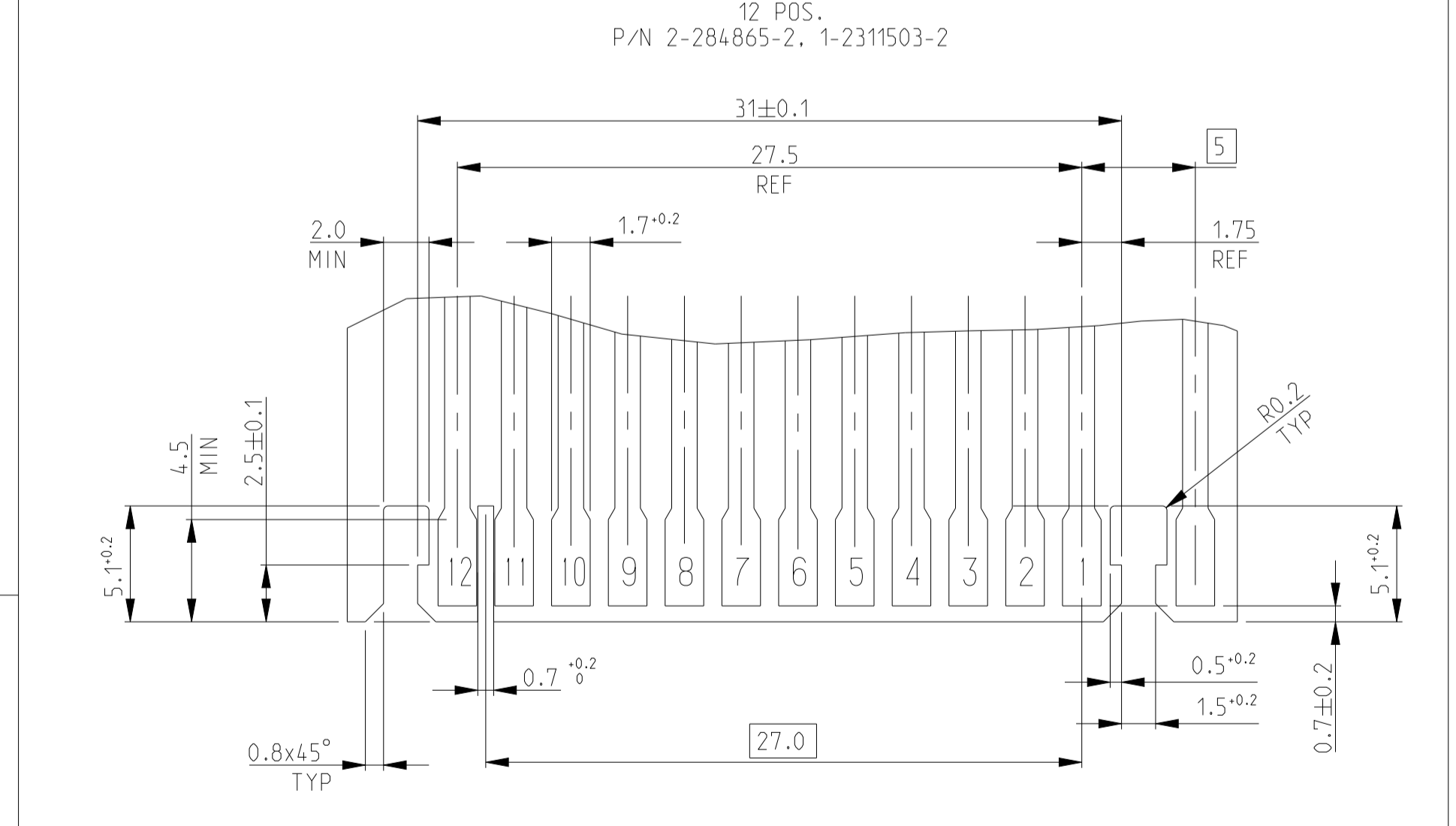
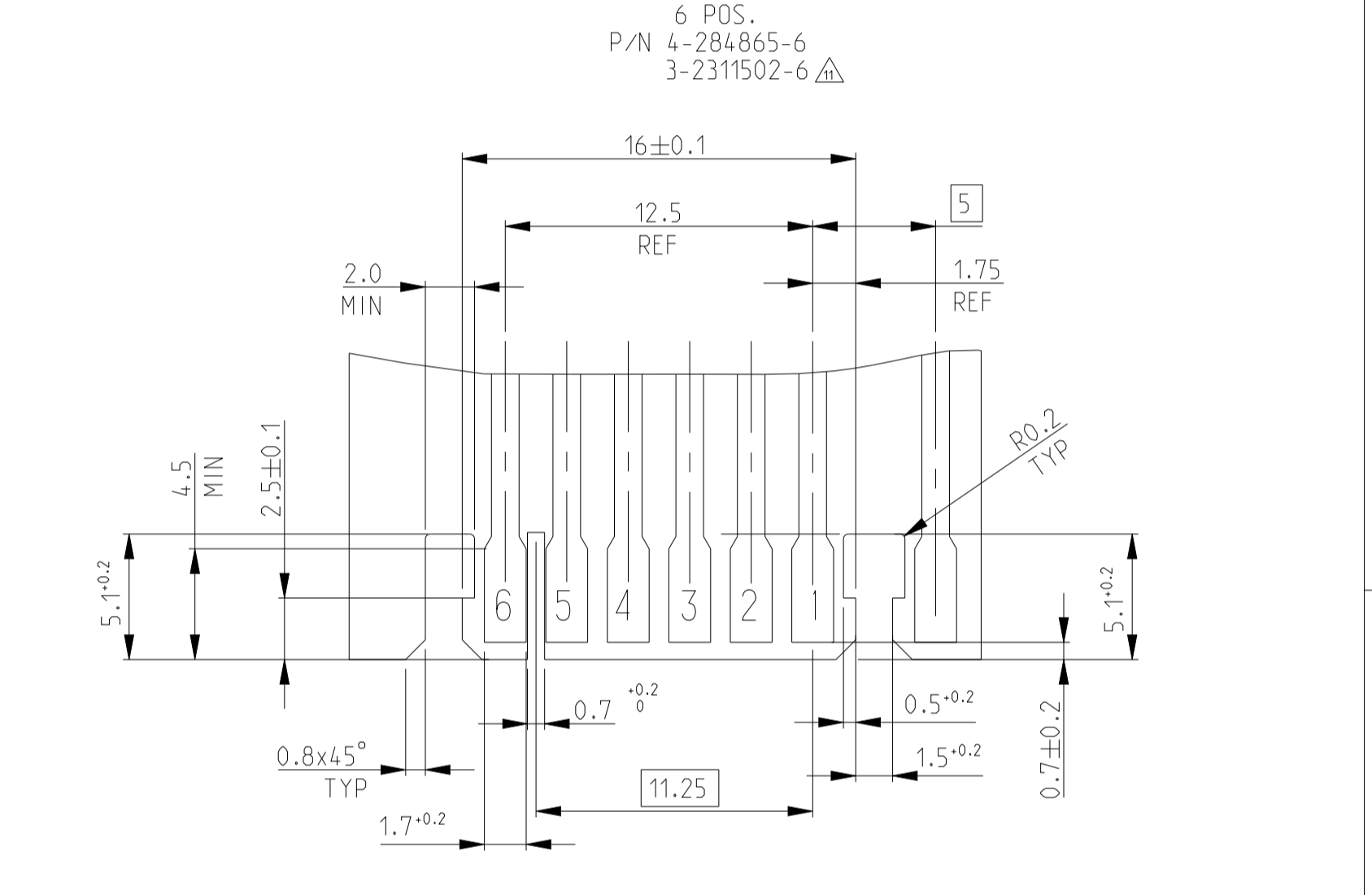
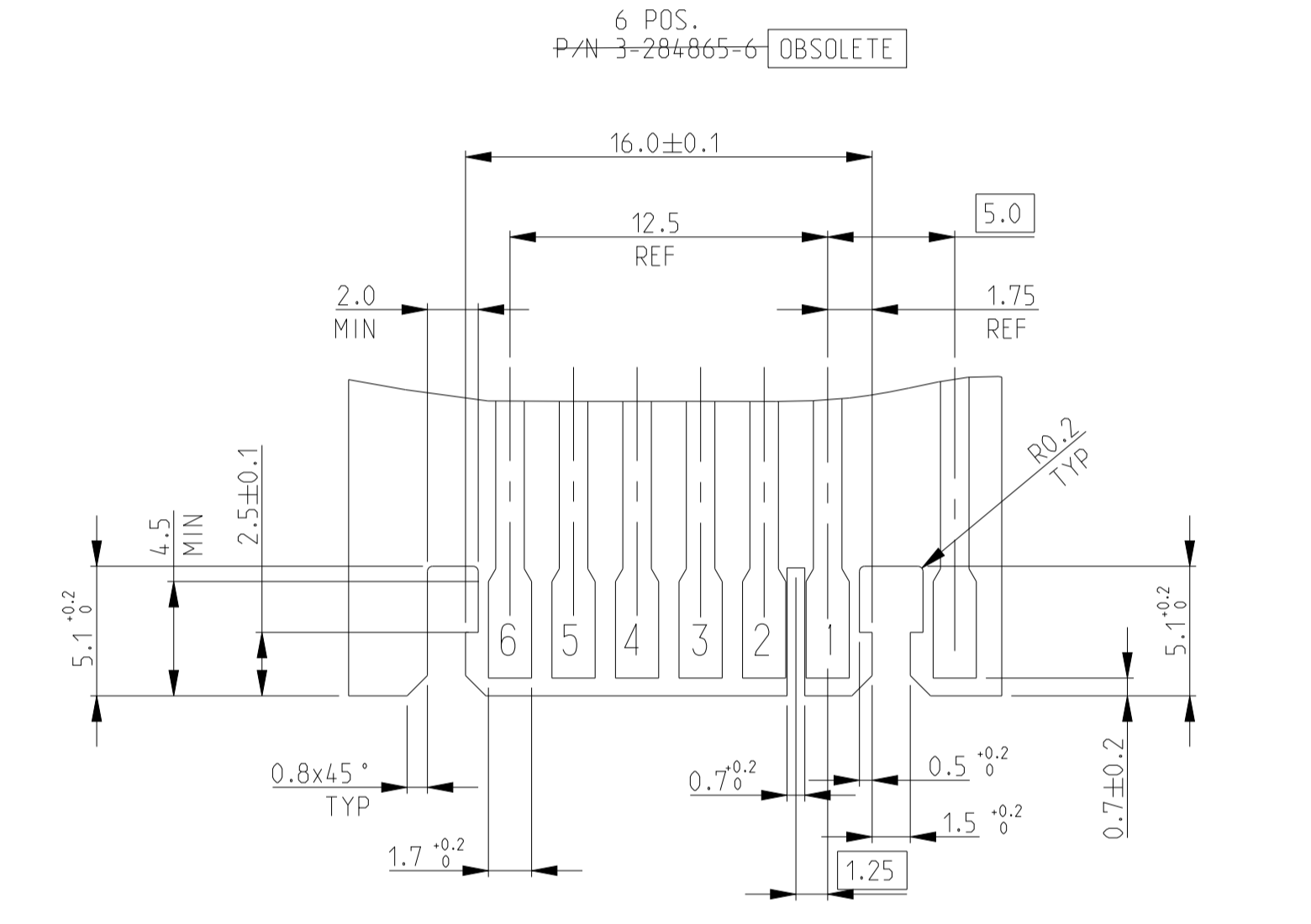
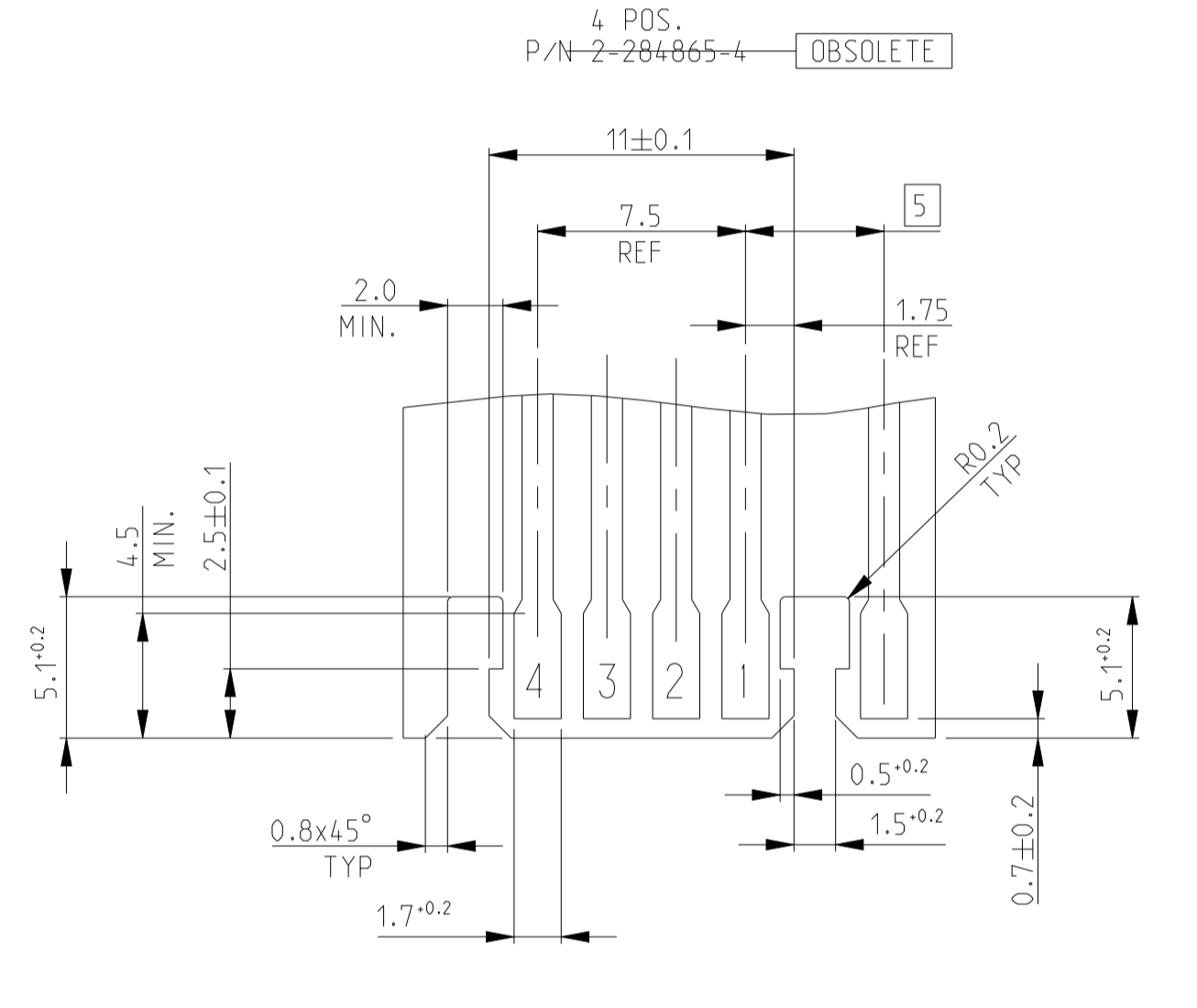
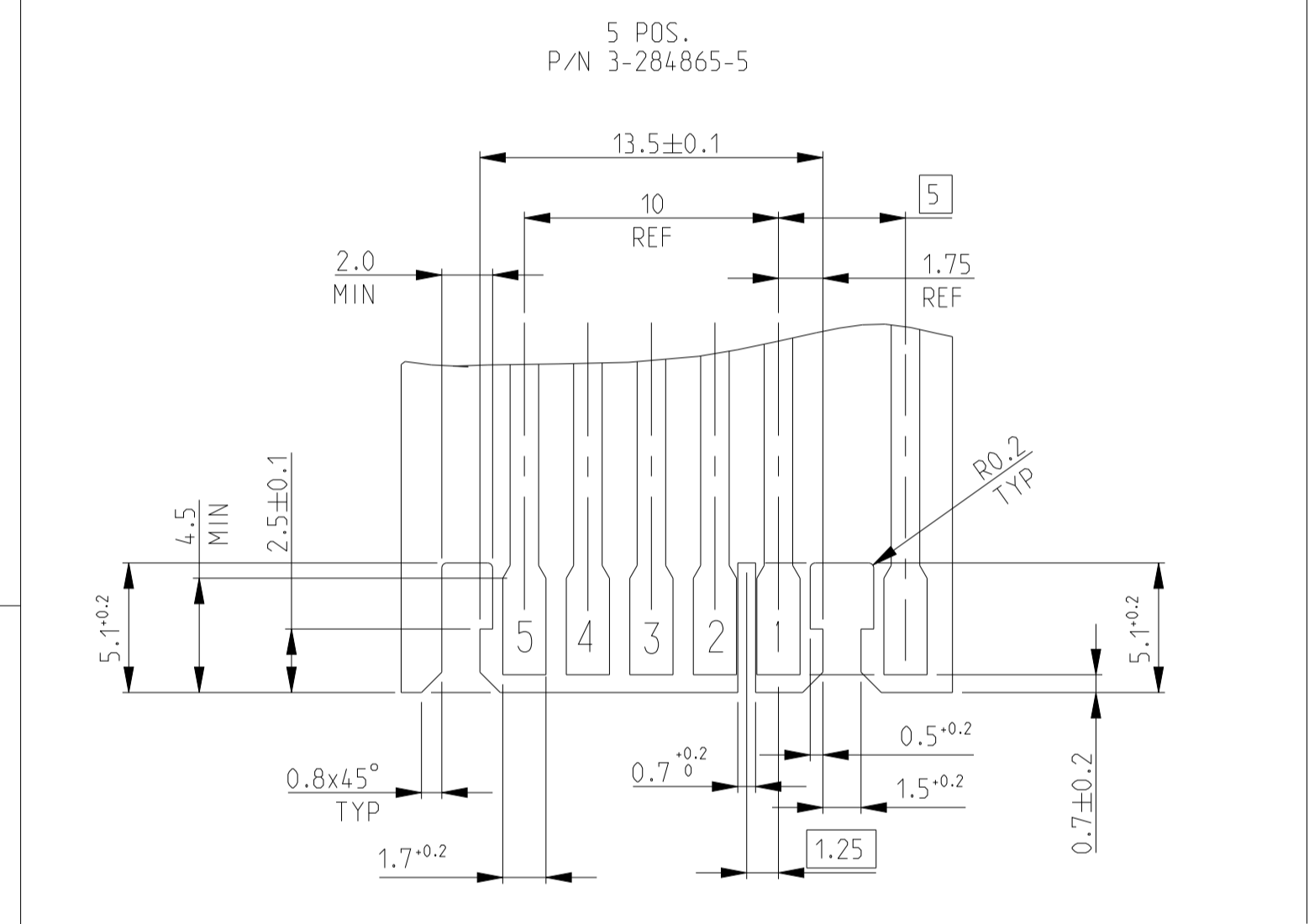
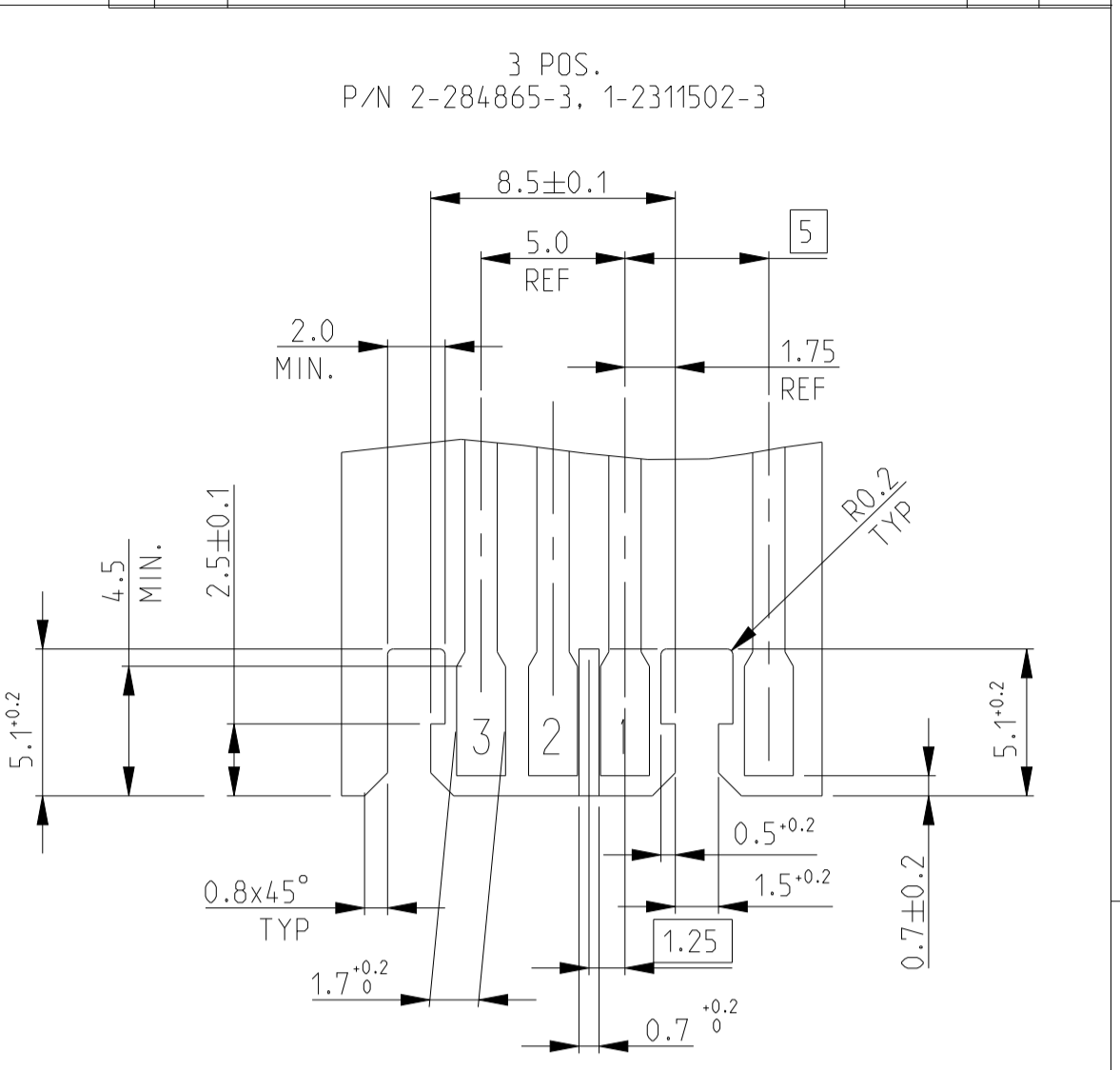
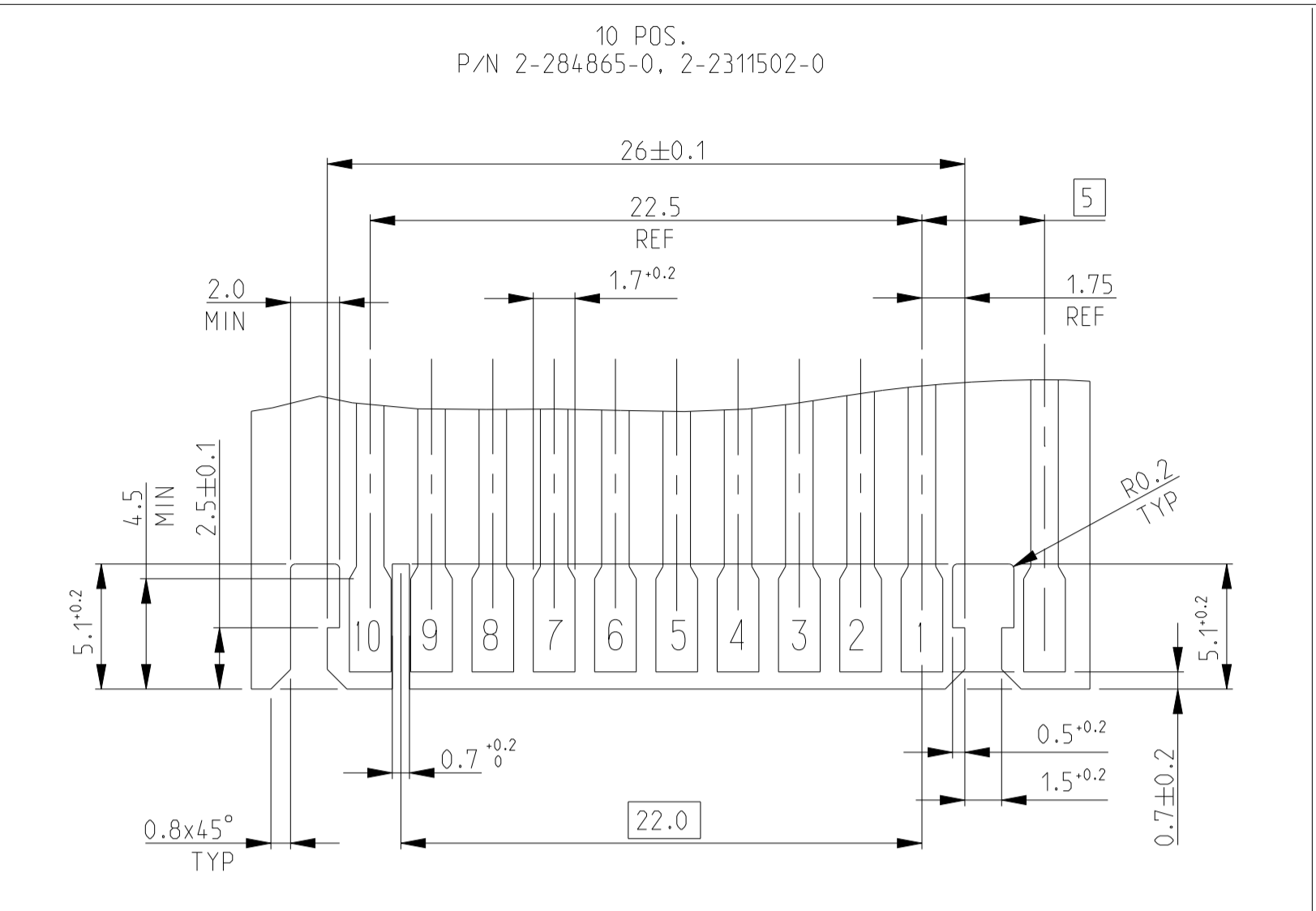
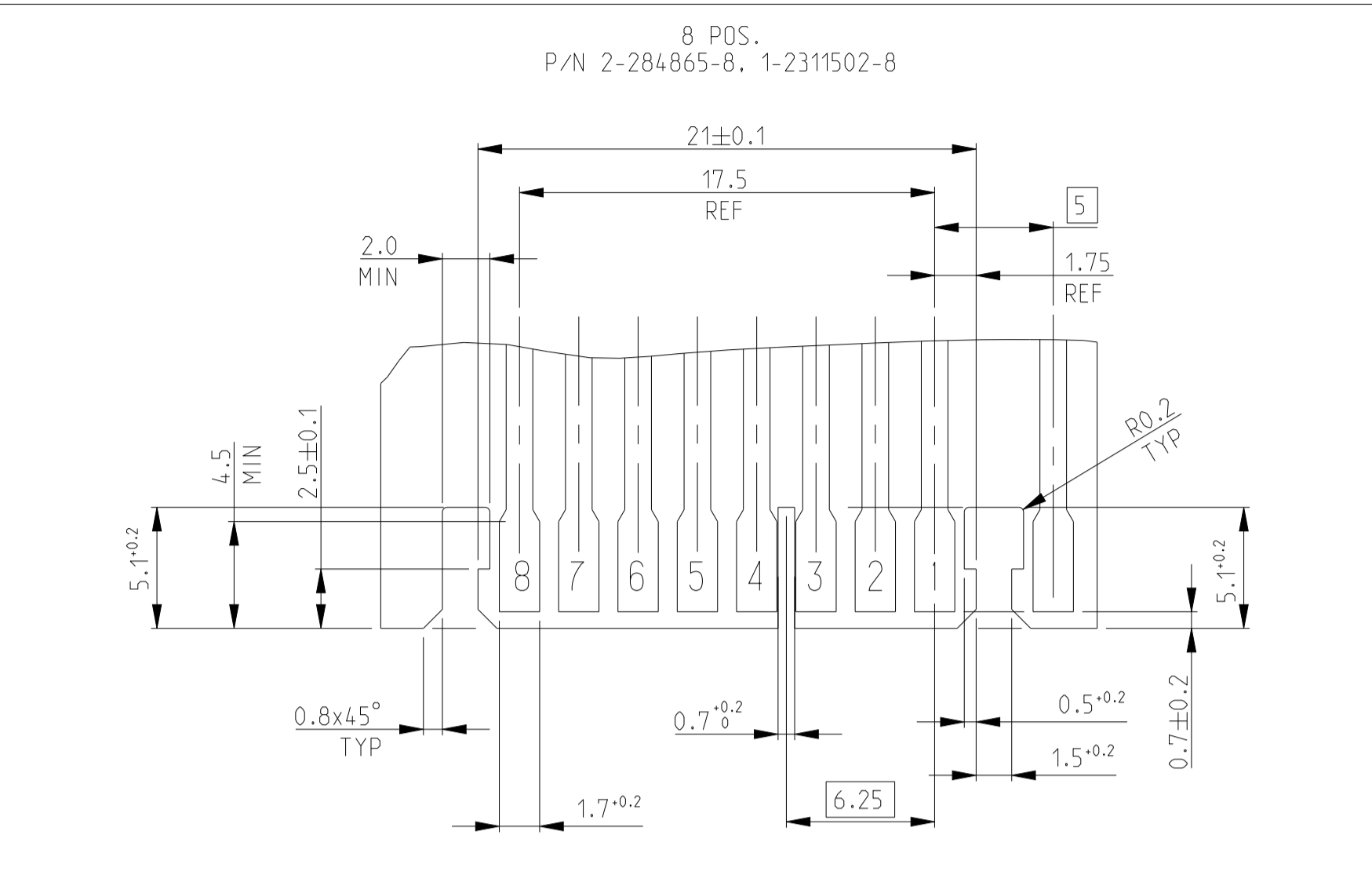
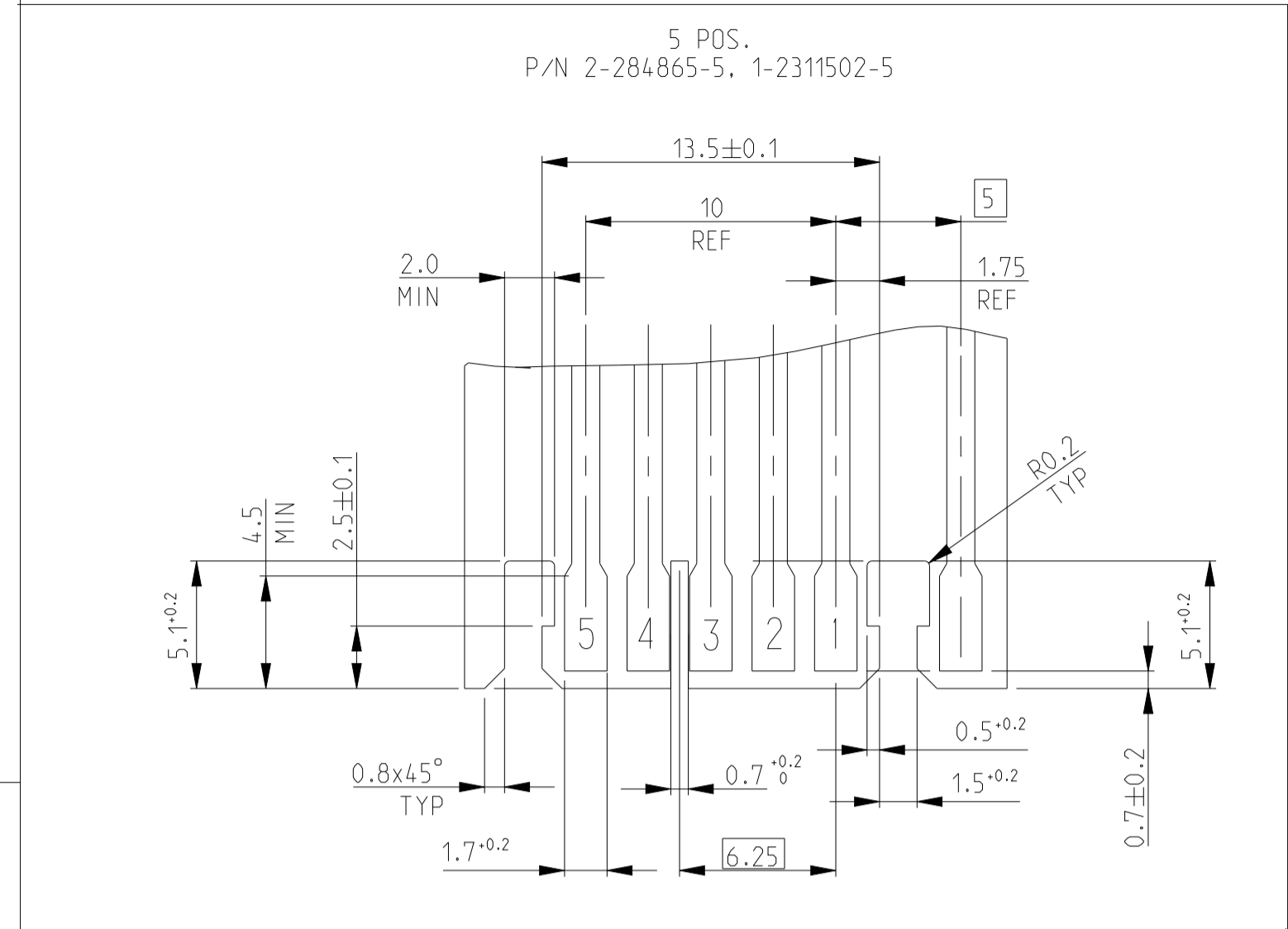
NAME: DUOPLUG 2.5 FEMALE CONN., SIDE LOCKING KEYED (FULLY LOADED)
 SIZE: A1
 CAGE CODE: 00779
 DRAWING NO: C=284865

SCALE: 10:1 SHEET: 2 OF 4 REV: C1

LOC		DIST		REVISIONS			
P	LTN	DESCRIPTION	DATE	OWN	APPV		
-	-	SEE SHEET 1	-	-	-		

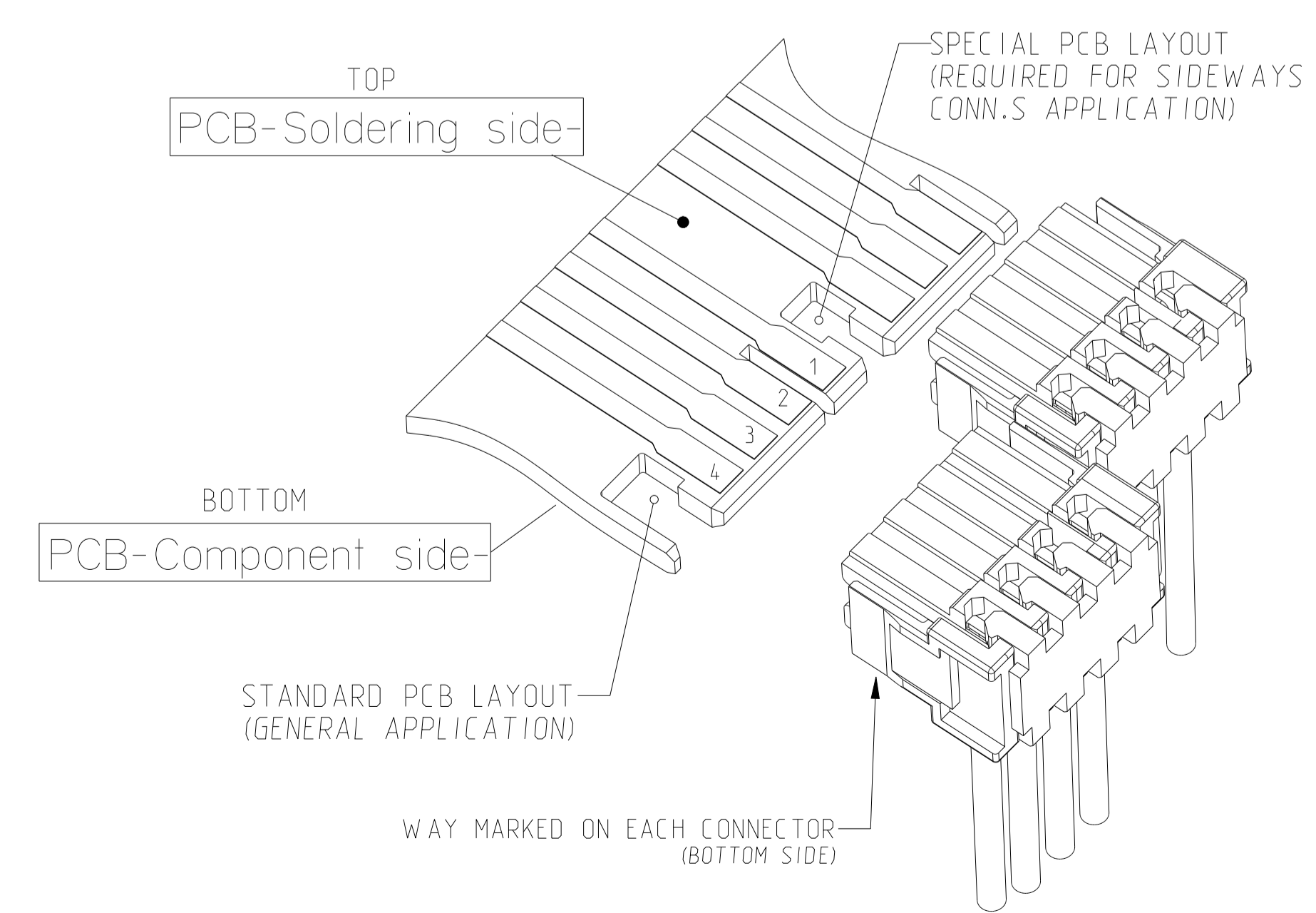
PCB LAYOUT -Soldering side-

(SCALE 4:1)



CONNECTION LAYOUT

E.G P/N 0-284865-4
(SCALE 4:1)

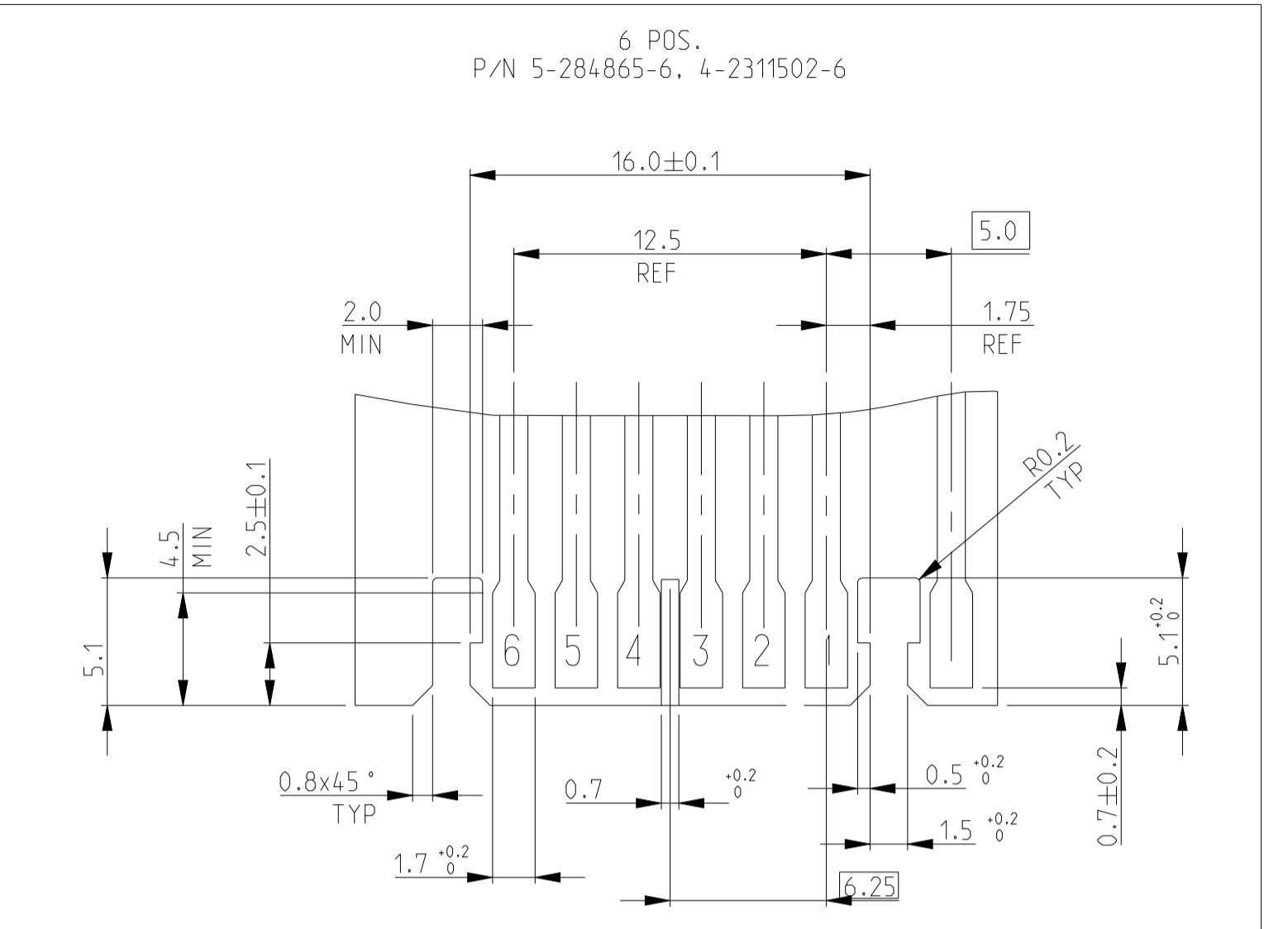


THIS DRAWING IS A CONTROLLED DOCUMENT.		OWN R. FABRIS	03JUL2002	TE Connectivity	
DIMENSIONS: mm		TOLERANCES UNLESS OTHERWISE SPECIFIED:			
0 PLC # # # # 1 PLC # # # # 2 PLC # # # # 3 PLC # # # # 4 PLC # # # # ANGLES # # # # °		APVD 6 TURCO PRODUCT SPEC 108-20238 APPLICATION SPEC 116-18049-1		NAME DUOPLUG 2.5 FEMALE CONN., SIDE LOCKING KEYPED (FULLY LOADED) SIZE CAGE CODE DRAWING NO RESTRICTED TO A1 00779 C=284865	
MATERIAL SEE TABLE		FINISH SEE TABLE		WEIGHT - Customer Drawing	
		SCALE 10:1		SHEET 3 OF 4 REV C 1	

PCB LAYOUT -Soldering side-

(SCALE 4:1)

LOC	DIST	REVISIONS					
		P	LTN	DESCRIPTION	DATE	DWN	APVD
-	-	-	-	SEE SHEET 1	-	-	-



THIS DRAWING IS A CONTROLLED DOCUMENT. DWN: R. FABRIS 03JUL2002

CHK: -

DIMENSIONS: mm

TOLERANCES UNLESS OTHERWISE SPECIFIED:

0 PLC	±
1 PLC	±
2 PLC	±
3 PLC	±
4 PLC	±
ANGLES	±°
FINISH	SEE TABLE

MATERIAL: SEE TABLE

Customer Drawing

APVD: S. TURCO

PRODUCT SPEC: 108-20238

APPLICATION SPEC: 116-18049-1

WEIGHT: -

RESTRICTED TO: -

NAME: DUOPLUG 2.5 FEMALE CONN., SIDE LOCKING KEYED (FULLY LOADED)

SIZE: A1

CAGE CODE: 00779

DRAWING NO: C=284865

SCALE: 10:1

SHEET: 4 OF 4

REV: C 1