



423-443 MHz Single Band External ANTENNA

Part Numbers: 2195892-1

FEATURES & BENEFITS

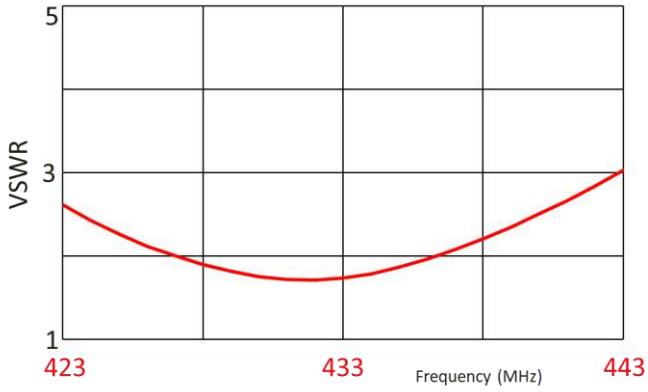
- 433MHz ISM single band antenna
- External chassis mount antenna
- ROHS compliant

SPECIFICATIONS

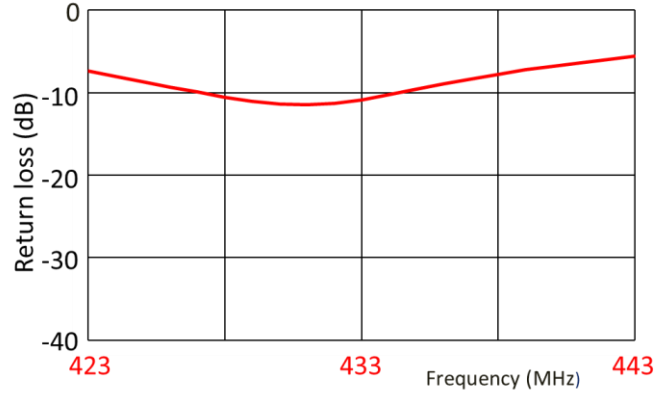
Frequency Range (MHz)	423-443
VSWR	< 3.1:1
Average Efficiency	23%
Peak Gain	-3.5 dBi
Average Gain	-6.5dBi
Power Handling	10 Watt cw
Feed Point Impedance	50 ohms
Polarization	Linear
Size	47mm x ø 7.8 (mm)
Weight	< 6.5 g
Mounting	Terminal mount
Mating Connector	SMA Female
Cable	N/A
Operating Temperature	-40 to +85°C
Storage Temperature	-40 to +85°C
Hazardous Materials	A certificate of conformance is available from the product page on TE website.

RF DATA

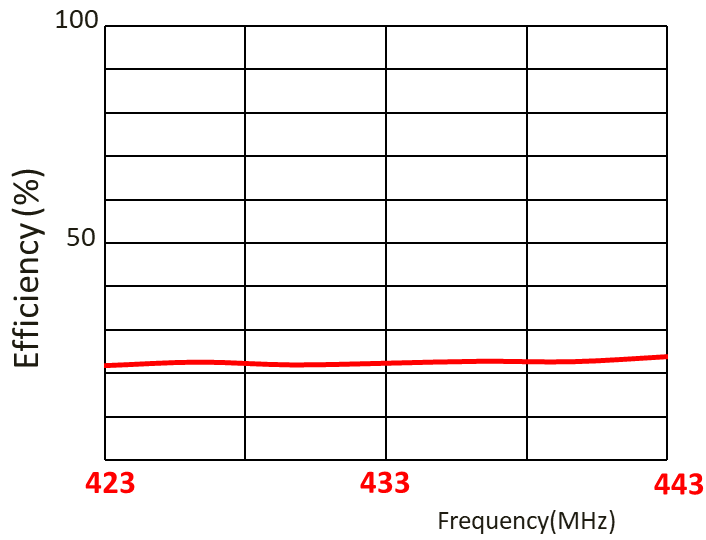
VSWR



Return Loss

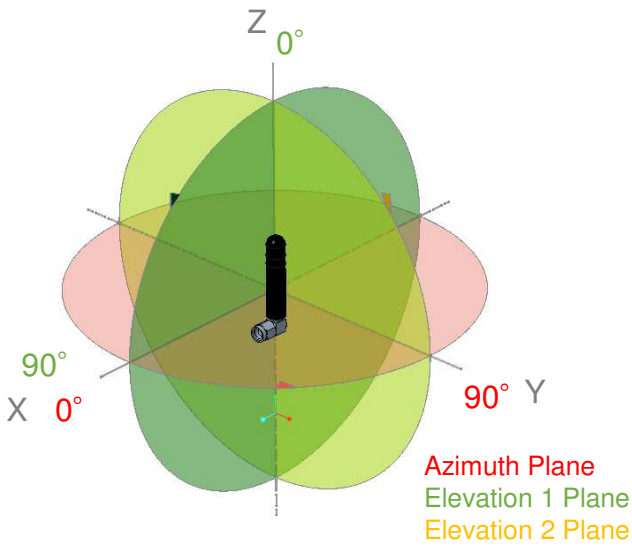


Efficiency

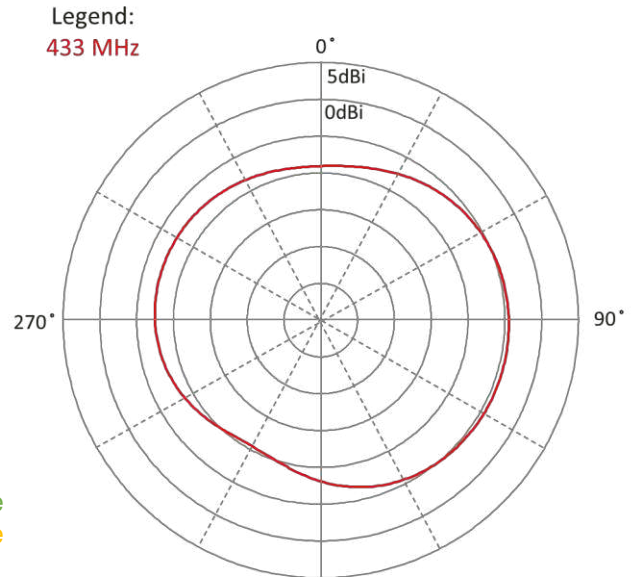


RADIATION PATTERN

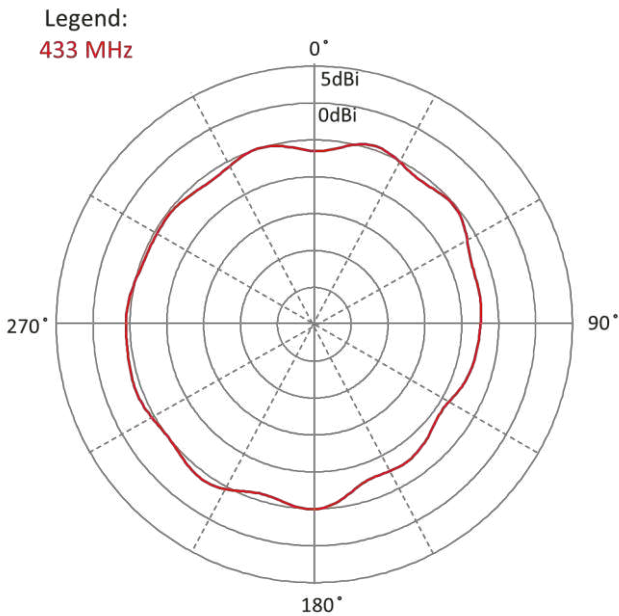
Test setup



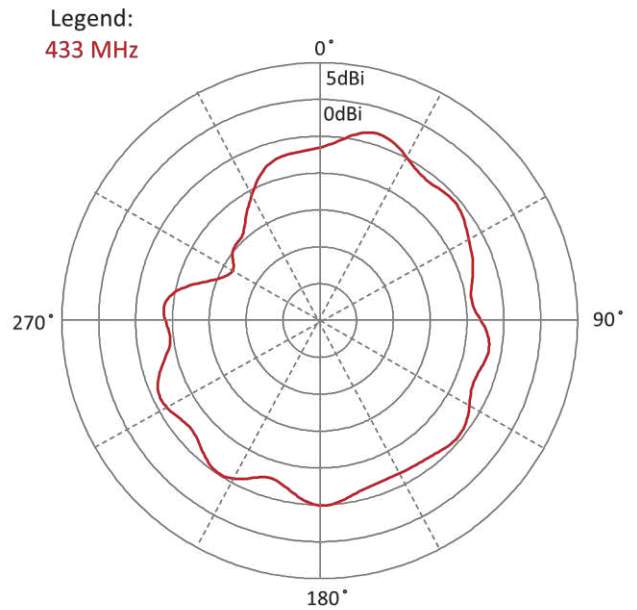
Azimuth



Elevation 1



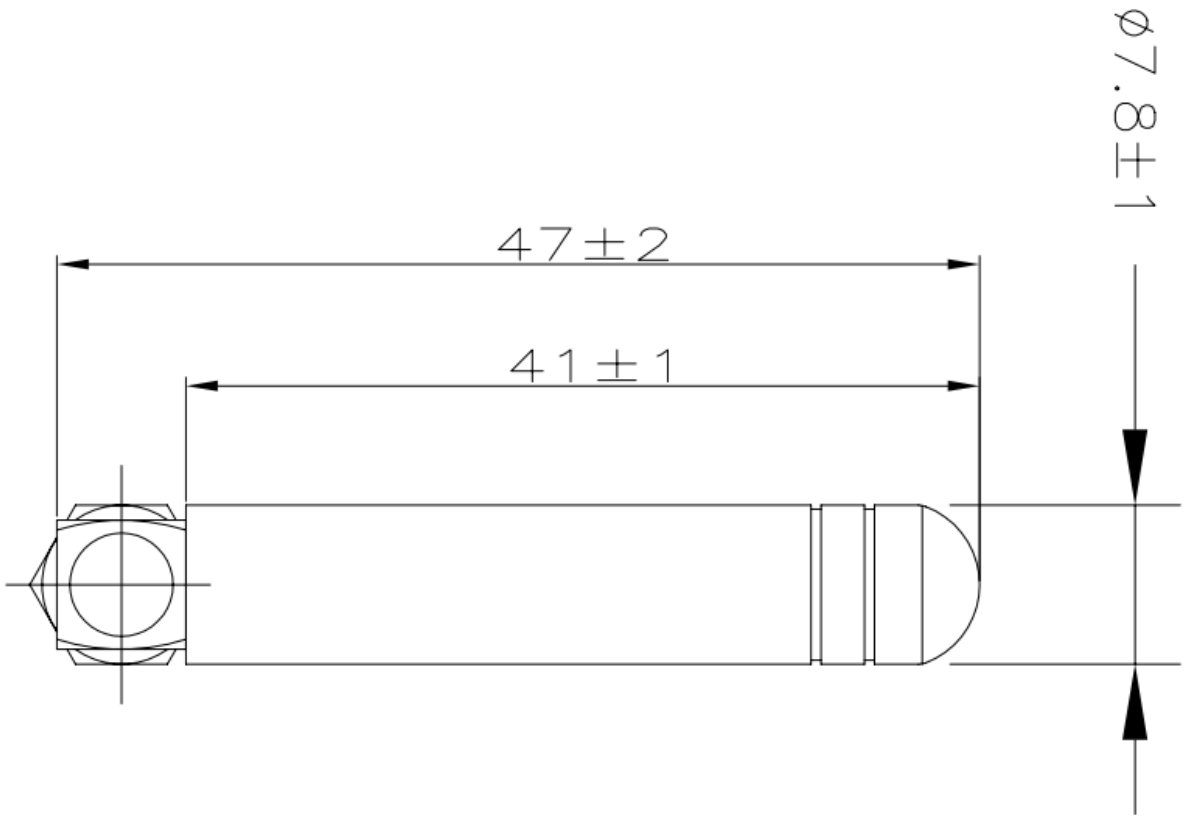
Elevation 2



433MHz ISM EXTERNAL ANTENNA

Standard Antenna Solutions

DIMENSIONS

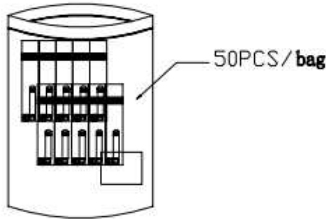


Dimensions: mm
Diagram is not to scale

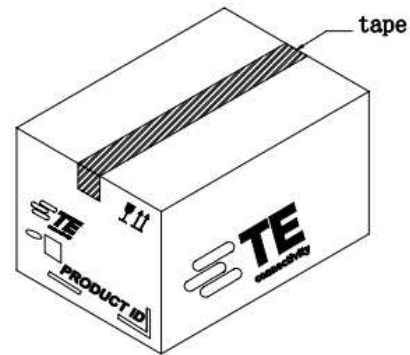
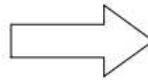
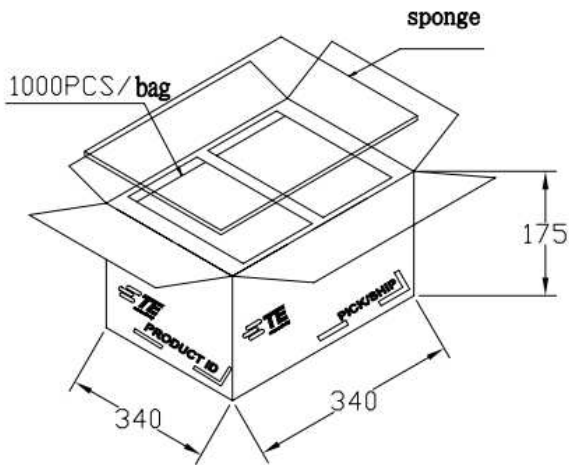
433MHz ISM EXTERNAL ANTENNA

Standard Antenna Solutions

PACKAGING



NOTES:
THE PACKAGE MUST MEET REQUIREMENT OF STANDARD TEC-107-115



TE TECHNICAL SUPPORT CENTER

- USA: +1 (800) 522-6752
- Canada: +1 (905) 475-6222
- Mexico: +52 (0) 55-1106-0800
- Latin/S. America: +54 (0) 11-4733-2200
- Germany: +49 (0) 6251-133-1999
- UK: +44 (0) 800-267666
- France: +33 (0) 1-3420-8686
- Netherlands: +31 (0) 73-6246-999
- China: +86 (0) 400-820-6015

For phone numbers in other countries, go to te.com/support-center

te.com

TE Connectivity, TE Connectivity (logo) are trademarks. All other logos, products and/or company names referred to herein might be trademarks of their respective owners.

The information given herein, including drawings, illustrations and schematics which are intended for illustration purposes only, is believed to be reliable. However, TE Connectivity makes no warranties as to its accuracy or completeness and disclaims any liability in connection with its use. TE Connectivity's obligations shall only be as set forth in TE Connectivity's Standard Terms and Conditions of Sale for this product and in no case will TE Connectivity be liable for any incidental, indirect or consequential damages arising out of the sale, resale, use or misuse of the product. Users of TE Connectivity products should make their own evaluation to determine the suitability of each such product for the specific application.

© 2020 TE Connectivity Ltd. family of companies All Rights Reserved.

02/2021